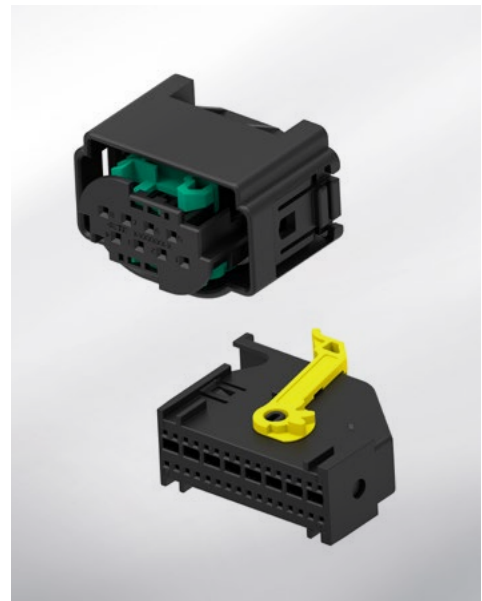
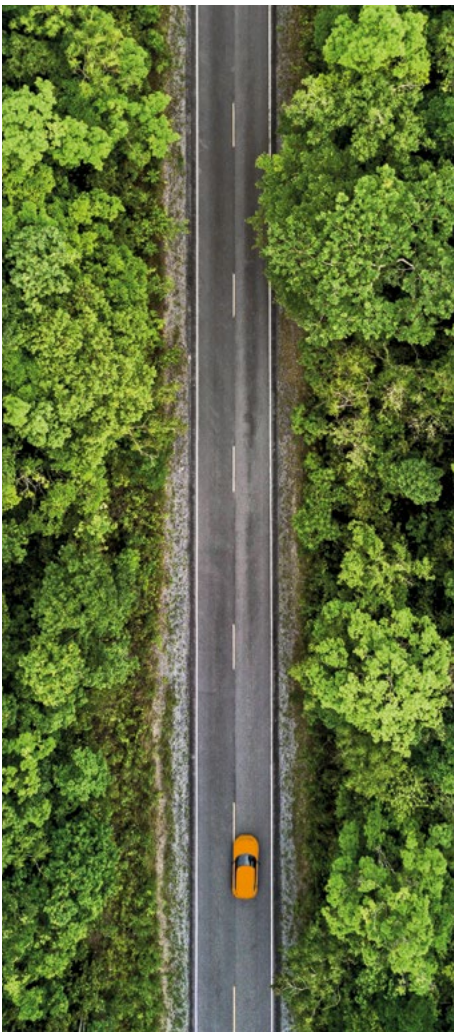


# MQS INTERCONNECTION SYSTEM

FOR THE AUTOMOTIVE INDUSTRY



# INNOVATIVE TECHNOLOGIES

TE Connectivity (TE) is a leader in automotive connectivity and sensor technology. Our engineers are always working to meet complex requirements. We connect nearly every electronic function in the vehicle - from alternative power systems to data connectivity and sensor technologies. Our technologies withstand harsh environments and tolerate high temperature, vibration, shock, pressure and long-life in electronic control systems.



## INTERCONNECTION SYSTEMS

Our electrical and electronic interconnection products and solutions are used to electrically and mechanically connect wires and cables, printed circuit boards, integrated circuit packages, batteries and more.



## HYBRID & ELECTRIC MOBILITY SOLUTIONS

Our technologies leverage decades of innovation and experience with high-voltage transmission and distribution. Our hybrid and electric mobility solutions include a complete line of connectors, terminals, sensors, cable assemblies, contactors, and battery connection protection to help safeguard the flow of power in hybrid and electric vehicles.



## DATA CONNECTIVITY

Our wide range of data connectivity solutions are ideal for consumer port connections, high data rate applications, next-generation harness architecture, board-to-board connections and vehicle-to-vehicle communication.



## WIRELESS

HIRSCHMANN MOBILITY Wireless Solutions enable high-performance signal reception and transmission for vehicles. We offer customized antenna systems as well as radio tuner systems for all common global standards. Together with the TE connectors solutions we provide One-Stop-Connectivity Solutions with components along the signal chain that are optimized and compatible with each other to provide best signal quality and real-time data.



## SENSOR SOLUTIONS

Customers rely on our sensor technology to provide data for control, adaptation and response of vehicle functions and features that increase safety, comfort, efficiency, and more. We collaborate to provide solutions for demanding and harsh applications such as automated transmissions, engines, chassis, clutch, brake and exhaust. Our products can be found in vehicles traveling the world's roads and highways.



## CABLE ASSEMBLY

TE is your partner for vehicle-specific cable assemblies. We offer research and development capabilities, prototypes and samples, as well as manufacturing facilities.



## RELAYS



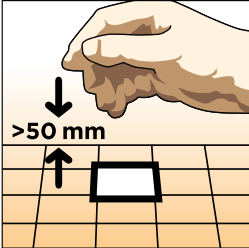

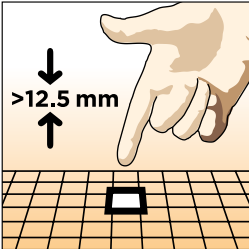
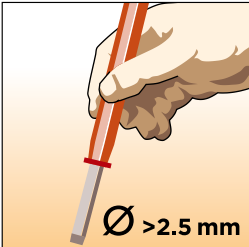
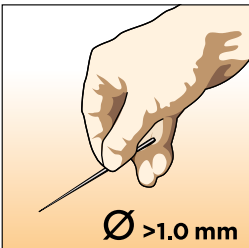
From passenger comfort and infotainment to higher DC voltages and power levels to harsh environments, our relays and contactors provide critical switching functions in multiple vehicle applications. With increased contact gaps and other key design features, our relays are ideal for harsh environments such as shock and vibration.



## APPLICATION TOOLING


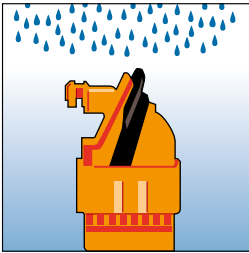
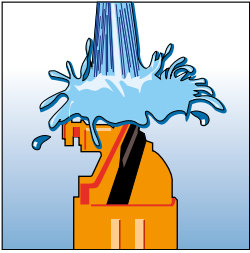

Ensuring a quality connection is essential to delivering high performance and reliability in extreme environments. From crimping a terminal onto a wire or pressing a connector onto a board, our equipment and services are designed to maximize production uptime, extend tooling life and minimize manufacturing waste.

IP Code | Elements and Significance acc. to IEC 60529 and DIN 40050

1st Digit	Against Foreign Objects (incl. Dust)	1st Digit	Against Foreign Objects (incl. Dust)
0	 <p>Not protected.</p>	5K	 <p>Dust protected.</p>
1	 <p>Protected against solid objects greater than 50 mm (ex. back of hand).</p>	6K	 <p>Dust tight.</p>
2	 <p>Protected against solid objects greater than 12.5 mm (ex. finger).</p>		
3	 <p>Protected against solid objects greater than 2.5 mm (ex. tool).</p>		
4	 <p>Protected against solid objects greater than 1.0 mm (ex. wire).</p>		



IP Code | Elements and Significance acc. to IEC 60529 and DIN 40050

2nd Digit	Against Water	2nd Digit	Against Water
0	 <p>Not protected.</p>	5	 <p>Protected against jetting water.</p>
1	 <p>Protected against vertically dripping water.</p>	6	 <p>Protected against powerfully jetting water.</p>
2	 <p>Protected against dripping water when tilted up to 15°.</p>	6K	 <p>Protected against powerfully jetting water with increased pressure (Automotive).</p>
3	 <p>Protected against spraying water (up to 60° inclination).</p>	7	 <p>Protected against the temporary effects of immersion up to 1 meter.</p>
4	 <p>Protected against splashing water.</p>	8	 <p>Protected against continuous submersion agreed with customer, but more severe than code 7.</p>
4K	 <p>Protected against splashing water with increased pressure.</p>	9K	 <p>Protected against high-pressure/steam-jet cleaning (Automotive).</p>

MQS Interconnection System		Page
Introduction		<a href="#">9</a>
<b>1 MQS TERMINALS</b>		
Introduction		<a href="#">11</a>
MQS 0.63 Receptacle Locking Lance		<a href="#">12</a>
MQS 0.63 Receptacle Clean Body		<a href="#">13</a>
MQS 0.63 Tab Locking Lance		<a href="#">14</a>
MQS 0.63 Receptacle Locking Lance - Single Wire Seal		<a href="#">15</a>
MQS 0.63 Tab Locking Lance - Single Wire Seal		<a href="#">16</a>
MQS 0.63 Receptacle Locking Lance - Flexible Foil Crimp		<a href="#">17</a>
MQS 0.63 Tab Locking Lance - Flexible Foil Crimp		<a href="#">18</a>
MPQ 2.8 Receptacle Locking Lance		<a href="#">19</a>
MPQ 2.8 Tab Locking Lance		<a href="#">20</a>
MPQ 2.8 Receptacle Locking Lance - Single Wire Seal		<a href="#">21</a>
MPQ 2.8 Tab Locking Lance		<a href="#">22</a>
PQ 5.2 Tab Locking Lance		<a href="#">23</a>
PQ 5.2 Receptacle Locking Lance - Single Wire Seal		<a href="#">24</a>
PQ 5.2 Tab Locking Lance - Single Wire Seal		<a href="#">25</a>
Single Wire Seals and Sealing Plugs		<a href="#">26</a>
<b>2 MQS HOUSINGS AND CONNECTORS</b>		
Introduction		<a href="#">27</a>
2pos MQS Receptacle Housing		<a href="#">28</a> / <a href="#">29</a> / <a href="#">30</a>
2pos MQS Tab Housing		<a href="#">31</a> / <a href="#">32</a> / <a href="#">33</a>
2pos MQS Receptacle Housing Sealed		<a href="#">34</a> / <a href="#">35</a>
2pos MQS Tab Housing Sealed		<a href="#">36</a> / <a href="#">37</a>
3pos MQS Receptacle Housing		<a href="#">38</a>
3pos MQS Receptacle Housing		<a href="#">39</a> / <a href="#">40</a> / <a href="#">41</a>
3pos MQS Receptacle FFC Housing		<a href="#">42</a>
3pos MQS Tab Housing		<a href="#">43</a> / <a href="#">44</a>
3pos MQS Receptacle Housing Sealed		<a href="#">45</a> / <a href="#">46</a> / <a href="#">47</a> / <a href="#">48</a>
3pos MQS Tab Housing Sealed		<a href="#">49</a>
4pos MQS Receptacle Housing		<a href="#">50</a> / <a href="#">51</a> / <a href="#">52</a> / <a href="#">53</a> / <a href="#">54</a> / <a href="#">55</a> / <a href="#">56</a> / <a href="#">57</a>
4pos MQS Tab Housing		<a href="#">58</a> / <a href="#">59</a> / <a href="#">60</a>
4pos MQS Receptacle Housing Sealed		<a href="#">61</a> / <a href="#">62</a>
4pos MQS Tab Housing Sealed		<a href="#">63</a>

MQS Interconnection System	Page
<b>2 MQS HOUSINGS AND CONNECTORS</b>	
5pos MQS Receptacle Housing	<a href="#">64</a>
5pos MQS Tab Housing	<a href="#">65</a>
6pos MQS Receptacle Housing	<a href="#">66 / 67 / 68 / 69 / 70</a>
6pos MQS Receptacle FFC Housing	<a href="#">71</a>
6pos MQS Tab FFC Housing	<a href="#">72</a>
6pos MQS Tab Housing	<a href="#">73</a>
6pos MQS Receptacle Housing Sealed	<a href="#">74 / 75</a>
6pos MQS Tab Housing Sealed	<a href="#">76</a>
8pos MQS Receptacle Housing	<a href="#">77 / 78 / 79 / 80</a>
8pos MQS Tab Housing	<a href="#">81</a>
8pos MQS Tab FFC Housing	<a href="#">82</a>
8pos MQS Receptacle Housing Sealed	<a href="#">83</a>
10pos MQS Receptacle Housing	<a href="#">84 / 85</a>
10pos MQS Tab Housing	<a href="#">86</a>
12pos MQS Receptacle Housing	<a href="#">87 / 88 / 89 / 90</a>
12pos MQS Tab Housing	<a href="#">91</a>
14pos MQS Receptacle Housing	<a href="#">92</a>
14pos MQS Tab Housing	<a href="#">93</a>
16pos MQS Receptacle Housing	<a href="#">94</a>
18pos MQS Receptacle Housing	<a href="#">95 / 96</a>
20pos MQS Receptacle Housing	<a href="#">97 / 98</a>
20pos MQS Receptacle Housing Sealed	<a href="#">99</a>
24pos MQS Receptacle Housing	<a href="#">100</a>
24pos MQS Receptacle Housing (short circuit spring cavities optional)	<a href="#">101</a>
24pos MQS Tab Housing	<a href="#">102</a>
26pos MQS Receptacle Housing	<a href="#">103</a>
32pos MQS Receptacle Housing	<a href="#">104 / 105 / 106 / 107 / 108 / 109</a>
<b>2 MQS HOUSINGS - HYBRID</b>	
5pos MQS and MPQ Receptacle Housing	<a href="#">110</a>
8pos MQS and MPQ Receptacle Housing	<a href="#">111</a>
10pos MQS and MPQ Receptacle Housing	<a href="#">112</a>
20pos MQS and MPQ Tab Housing with Shunt	<a href="#">113</a>
20pos MQS and MPQ Receptacle Housing	<a href="#">114</a>

MQS Interconnection System	Page
<b>3 MQS HEADERS</b>	
3 Positions Header	<a href="#">115</a> / <a href="#">116</a> / <a href="#">117</a>
4 Positions Header	<a href="#">118</a> / <a href="#">119</a>
6 Positions Header	<a href="#">120</a> / <a href="#">121</a> / <a href="#">122</a> / <a href="#">123</a> / <a href="#">124</a>
8 Positions Header	<a href="#">125</a> / <a href="#">126</a>
12 Positions Header	<a href="#">127</a> / <a href="#">128</a> / <a href="#">129</a> / <a href="#">130</a>
18 Positions Header	<a href="#">131</a> / <a href="#">132</a> / <a href="#">133</a>
26 Positions Header	<a href="#">134</a> / <a href="#">135</a> / <a href="#">136</a>
32 Positions Header	<a href="#">137</a> / <a href="#">138</a>
40 Positions Header	<a href="#">139</a> / <a href="#">140</a>
<b>4 APPLICATION TOOLING</b>	
<b>TE CONNECTIVITY ONLINE</b>	
GLOBAL CONTACTS	<a href="#">143</a>
<b>IMPRINT</b>	





## **MGS (Micro Quadlok System) Interconnection System INTRODUCTION**

**TE Connectivity's MGS interconnection terminal, connector and header system offers high packing density, robust construction and highest functional requirements.**

Despite its miniaturized, compact design, it fulfills all requirements for a contact system suitable for use in automobiles and covers a wide range of application sectors in both waterproof and non-waterproof areas.

The MGS system covers low current up to 7.5 Amps as well as mid current applications up to 45 Amps by offering a range of different terminals and hybrid connectors from MGS 0.63 to PQ 5.2. For the miniaturized portfolio NanoMGS a separate product catalogue is available.

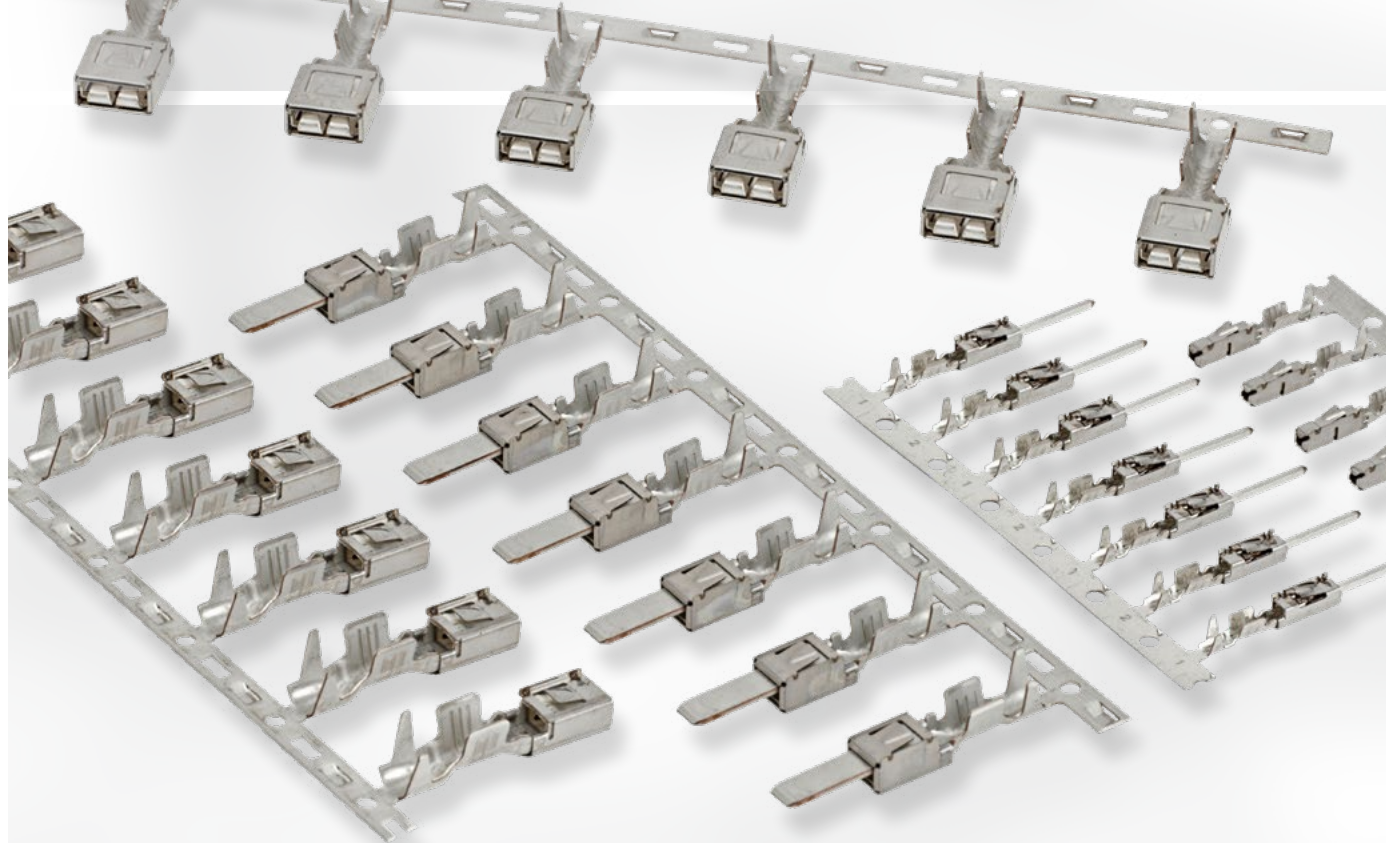
### **MGS Contact System Features**

- High performance copper alloy
- Redundant contact point technology for higher reliability
- High vibration level supported
- Overstress protection of the contact springs
- Box with polarization and secondary locking feature
- Protected locking lance
- Sealed and unsealed version
- -40°C up to 150°C temperature range

### **MGS Connector System Features**

- High vibration level supported
- Designed for reliability and reduced manufacturing and service cost
- Sealed and unsealed as wire-to-wire and/or wire-to-board version
- Provide polarization feature and several key coding
- Provide ergonomic assembly and safe installation
- Locking mechanism with and w/o CPA (connector position assurance)
- Mating aid for high pin-count connectors to ensure low mating forces
- -40°C up to 150°C temperature range





## MQS Terminals

**TE Connectivity's MQS interconnection system is a series of contact systems commonly used for electrical and electronic applications for passenger cars and commercial vehicles.**

The contact design meets standardized blade sizes and interface requirements of the automotive industry. All contacts follow the robust two-piece contact design strategy to separate electrical from the mechanical performance. The contact series is available for sealed and unsealed applications.

The Portfolio of Micro Quadlock System (MQS) with a tab size of 0.63 mm is complemented by the Micro Power Quadlock (MPQ) with a tab size of 2.8 mm and the Power Quadlock (PQ) with a tab size of 5.2 mm.

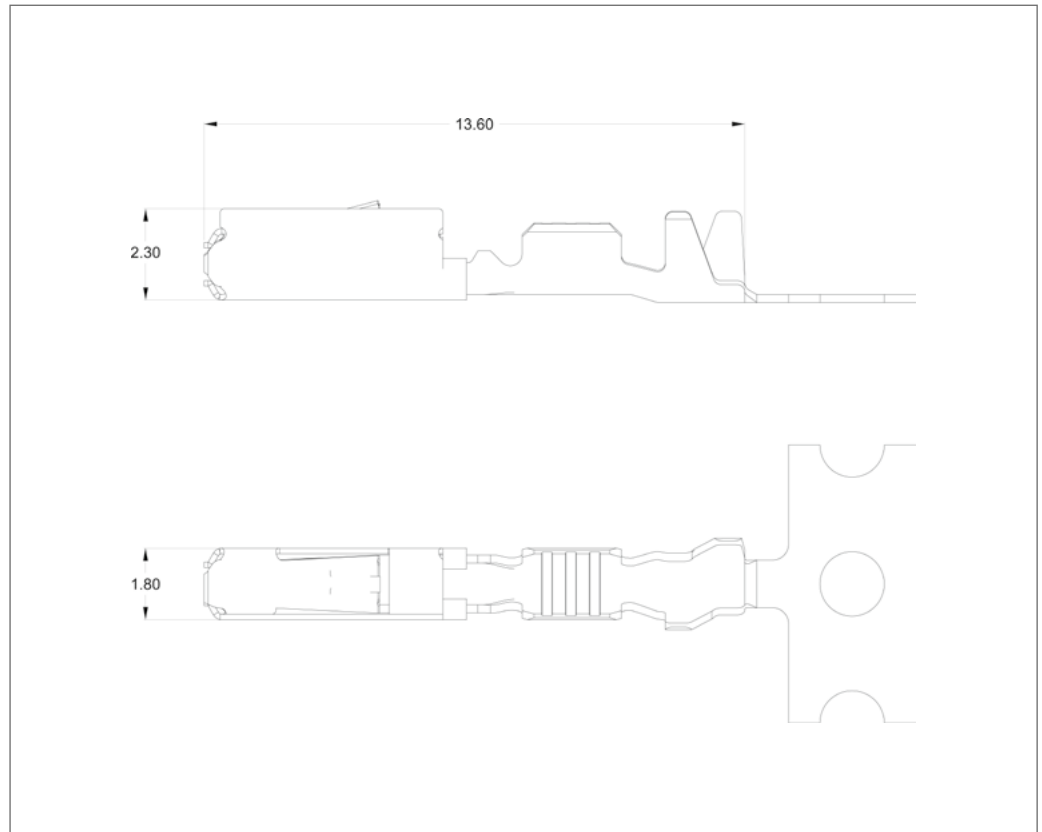
For a fast and economic termination process, TE Application Tooling is offering a vast portfolio of application equipment and service.

### MQS Interconnection System Advantages

- High performance copper alloy
- Redundant contact point technology for higher reliability
- High vibration level support to meet future requirements
- Overstress protection of the contact springs
- Clean body terminal solution also available
- Contact box with polarization and secondary locking feature
- Protected locking lance
- Sealed and unsealed version
- -40°C up to 150°C temperature range



## MQS 0.63 Receptacle Locking Lance



### Technical Features

#### Contact Material:

Contact: CuNiSi

Cantilever Spring: Stainless Steel

#### Wire Size Range:

0.08 - 0.75 mm<sup>2</sup>

Current Carrying Capacity:

up to 7.5 Ampere

(@ 80°C ambient temperature)

#### Total Temperature Range:

-40°C ... +120°C (tin plated)

-40°C ... +140°C (silver plated)

-40°C ... +140°C (gold plated)

#### Centerline:

2.54 x 2.54 mm Standard

#### Insertion Force:

Max 5 N

#### Extraction Force:

Max 5 N

#### Mating Cycles:

20 tin plated

50 silver plated

100 gold plated

#### Product Specification:

108-18030

#### Application Specification:

114-18021

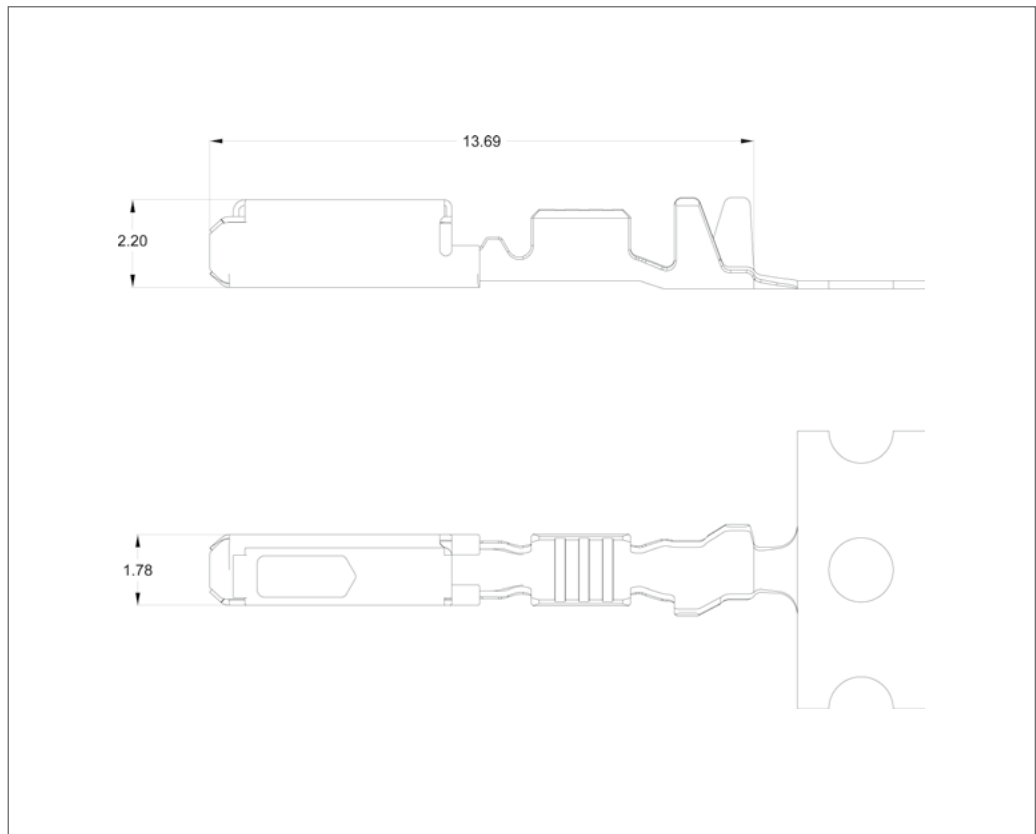
Wire Size Range (mm <sup>2</sup> )	Insulation Diameter (mm) FLR	Part Number	Material Finish	Table Drawing
0.08 - 0.22	0.85 - 1.20	<a href="#">1355717-1</a>	Tin (Sn)	929454
		<a href="#">1355717-5</a>	Gold (Au)	
		<a href="#">1355717-6</a>	Silver (Ag)	
0.13 - 0.17	0.85 - 1.00	<a href="#">2141824-1</a> <sup>*)</sup>	Tin (Sn)	
		<a href="#">2141824-5</a> <sup>*)</sup>	Gold (Au)	
		<a href="#">2141824-6</a> <sup>*)</sup>	Silver (Ag)	
0.25 - 0.35	1.10 - 1.60	<a href="#">5-928999-1</a>	Tin (Sn)	
		<a href="#">5-928999-5</a>	Gold (Au)	
		<a href="#">5-928999-6</a>	Silver (Ag)	
0.50 - 0.75	1.40 - 1.90	<a href="#">5-963715-1</a>	Tin (Sn)	
		<a href="#">5-963715-5</a>	Gold (Au)	
		<a href="#">5-963715-6</a>	Silver (Ag)	

<sup>\*)</sup> reinforced wire





**MQS 0.63 Receptacle Clean Body**



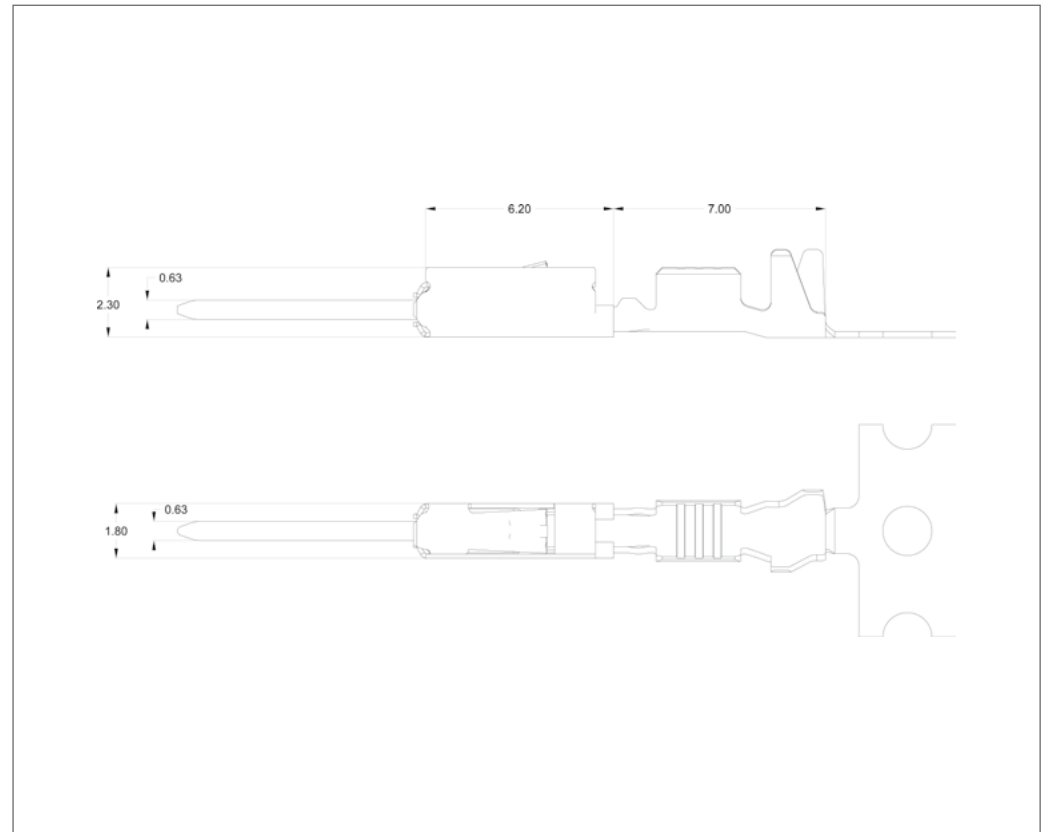
**Technical Features**

- Contact Material:**  
Contact: CuNiSi
- Wire Size Range:**  
0.08 - 0.75 mm<sup>2</sup>
- Current Carrying Capacity:**  
up to 7.5 Ampere  
(@ 80°C ambient temperature)
- Total Temperature Range:**  
-40°C ... +120°C (tin plated)  
-40°C ... +140°C (silver plated)  
-40°C ... +140°C (gold plated)
- Centerline:**  
2.54 x 2.54 mm Standard
- Insertion Force:**  
Max 5 N
- Extraction Force:**  
Max 5 N
- Mating Cycles:**  
20 tin plated  
50 silver plated  
100 gold plated
- Product Specification:**  
108-18030
- Application Specification:**  
114-18021

Wire Size Range (mm <sup>2</sup> )	Insulation Diameter (mm) FLR	Part Number	Material Finish	Table Drawing
0.25 - 0.35	1.10 - 1.60	<a href="#">5-968220-1</a>	Tin (Sn)	1534615
		<a href="#">5-968220-5</a>	Gold (Au)	1355900
		<a href="#">5-968220-6</a>	Silver (Ag)	
0.50 - 0.75	1.40 - 1.90	<a href="#">5-968221-1</a>	Tin (Sn)	1355900
		<a href="#">5-968221-5</a>	Gold (Au)	
		<a href="#">5-968221-6</a>	Silver (Ag)	



## MQS 0.63 Tab Locking Lance



### Technical Features

#### Contact Material:

Contact: CuNiSi  
Cantilever Spring: Stainless Steel

#### Wire Size Range:

0.08 - 0.75 mm<sup>2</sup>

#### Current Carrying Capacity:

up to 7.5 Ampere  
(@ 80°C ambient temperature)

#### Total Temperature Range:

-40°C ... +120°C (tin plated)  
-40°C ... +140°C (silver plated)  
-40°C ... +140°C (gold plated)

#### Centerline:

2.54 x 2.54 mm Standard

#### Insertion Force:

Max 5 N

#### Extraction Force:

Max 5 N

#### Mating Cycles:

20 tin plated  
50 silver plated  
100 gold plated

#### Product Specification:

108-18030

#### Application Specification:

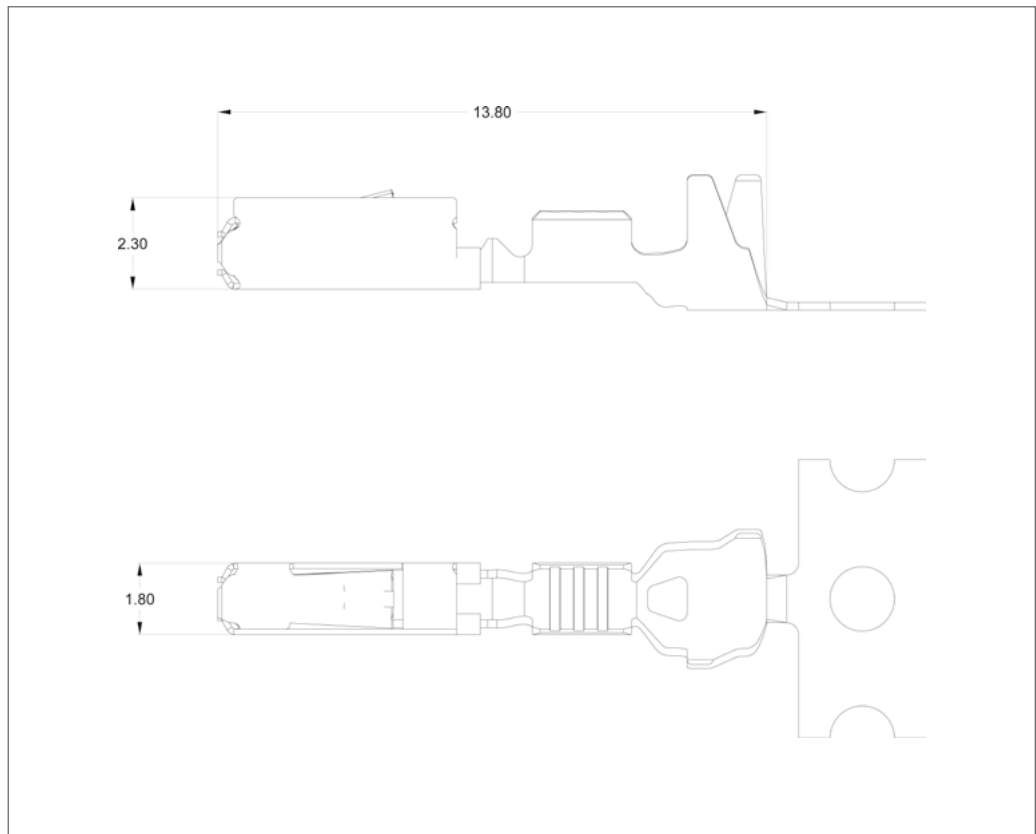
114-18021

Wire Size Range (mm <sup>2</sup> )	Insulation Diameter (mm) FLR	Part Number	Material Finish	Table Drawing
0.08 - 0.22	0.85 - 1.20	<a href="#">1355719-1</a>	Tin (Sn)	929453
		<a href="#">1355719-2</a>	Gold (Au)	
		<a href="#">1355719-3</a>	Silver (Ag)	
0.13 - 0.17 <sup>*)</sup>	0.85 - 1.00	<a href="#">2141828-1</a> <sup>*)</sup>	Tin (Sn)	
		<a href="#">2141828-2</a> <sup>*)</sup>	Gold (Au)	
		<a href="#">2141828-3</a> <sup>*)</sup>	Silver (Ag)	
0.50 - 0.75	1.40 - 1.90	<a href="#">5-963716-1</a>	Tin (Sn)	
		<a href="#">5-963716-2</a>	Gold (Au)	
		<a href="#">5-963716-3</a>	Silver (Ag)	
0.25 - 0.35	1.10 - 1.60	<a href="#">6-928918-1</a>	Tin (Sn)	
		<a href="#">6-928918-2</a>	Gold (Au)	
		<a href="#">6-928918-3</a>	Silver (Ag)	

<sup>\*)</sup> reinforced wire



**MQS 0.63 Receptacle Locking Lance - Single Wire Seal**



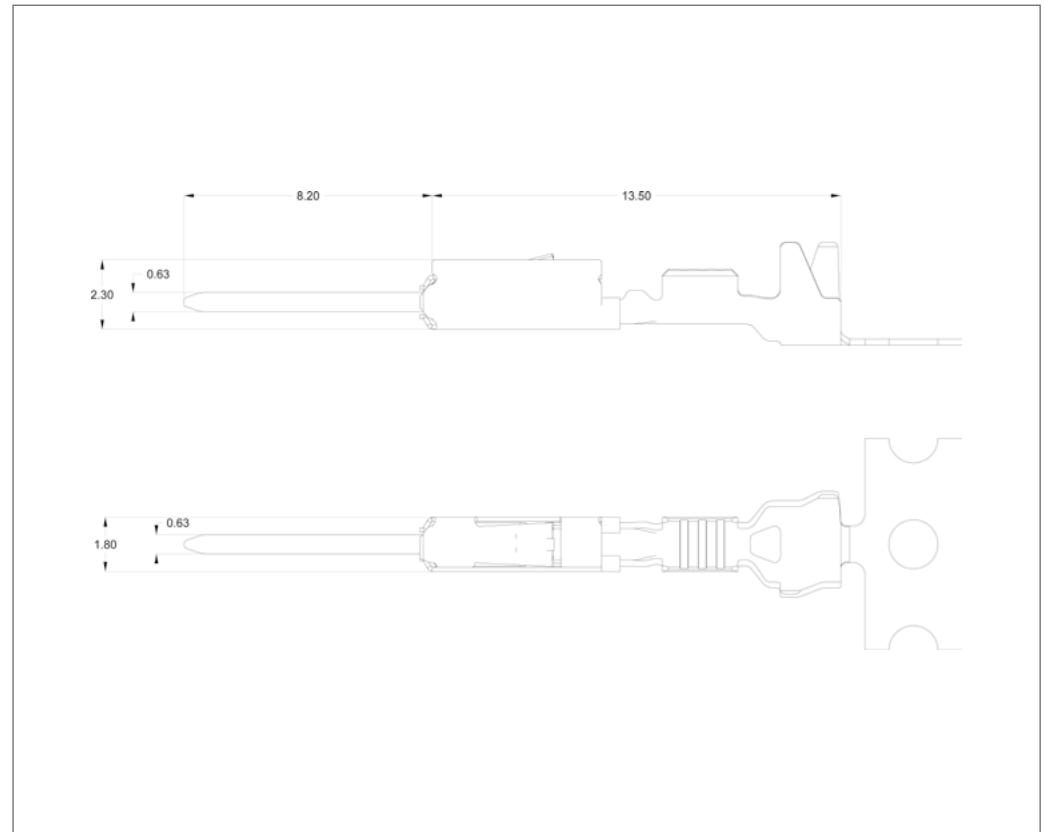
**Technical Features**

- Contact Material:**  
Contact: CuNiSi  
Cantilever Spring: Stainless Steel
- Wire Size Range:**  
0.08 - 0.75 mm<sup>2</sup>
- Current Carrying Capacity:**  
up to 7.5 Ampere  
(@ 80°C ambient temperature)
- Total Temperature Range:**  
-40°C ... +120°C (tin plated)  
-40°C ... +140°C (silver plated)  
-40°C ... +140°C (gold plated)
- Centerline:**  
4.0 x 4.0 mm SWS Standard  
4.0 x 3.5 mm SWS Standard
- Insertion Force:**  
Max 5 N
- Extraction Force:**  
Max 5 N
- Mating Cycles:**  
20 tin plated  
50 silver plated  
100 gold plated
- Product Specification:**  
108-18030
- Application Specification:**  
114-18025

Wire Size Range (mm <sup>2</sup> )	Insulation Diameter (mm) FLR	Part Number	Material Finish	Table Drawing	Single Wire Seal	
					3.45 mm Centerline	4.0 mm Centerline
0.13-0.17	0.85-1.00	<a href="#">2141826-1</a>	Tin (Sn)	929454	967067-2	963142-2
		<a href="#">2141826-5</a>	Gold (Au)			
		<a href="#">2141826-6</a>	Silver (Ag)			
0.25 - 0.35	1.10 - 1.60	<a href="#">5-962885-1</a>	Tin (Sn)	929454	967067-2	963142-2
		<a href="#">5-962885-5</a>	Gold (Au)			
		<a href="#">5-962885-6</a>	Silver (Ag)			
0.50 - 0.75	1.40 - 1.90	<a href="#">5-965906-1</a>	Tin (Sn)	929454	967067-1	963142-1
		<a href="#">5-965906-5</a>	Gold (Au)			
		<a href="#">5-965906-6</a>	Silver (Ag)			



## MQS 0.63 Tab Locking Lance - Single Wire Seal



### Technical Features

#### Contact Material:

Contact: CuNiSi

Cantilever Spring: Stainless Steel

#### Wire Size Range:

0.08 - 0.75 mm<sup>2</sup>

#### Current Carrying Capacity:

up to 7.5 Ampere

(@ 80°C ambient temperature)

#### Total Temperature Range:

-40°C ... +120°C (tin plated)

-40°C ... +140°C (silver plated)

-40°C ... +140°C (gold plated)

#### Centerline:

4.0 x 4.0 mm SWS Standard

4.0 x 3.5 mm SWS Staggered

#### Insertion Force:

Max 5 N

#### Extraction Force:

Max 5 N

#### Mating Cycles:

20 tin plated

50 silver plated

100 gold plated

#### Product Specification:

108-18030

#### Application Specification:

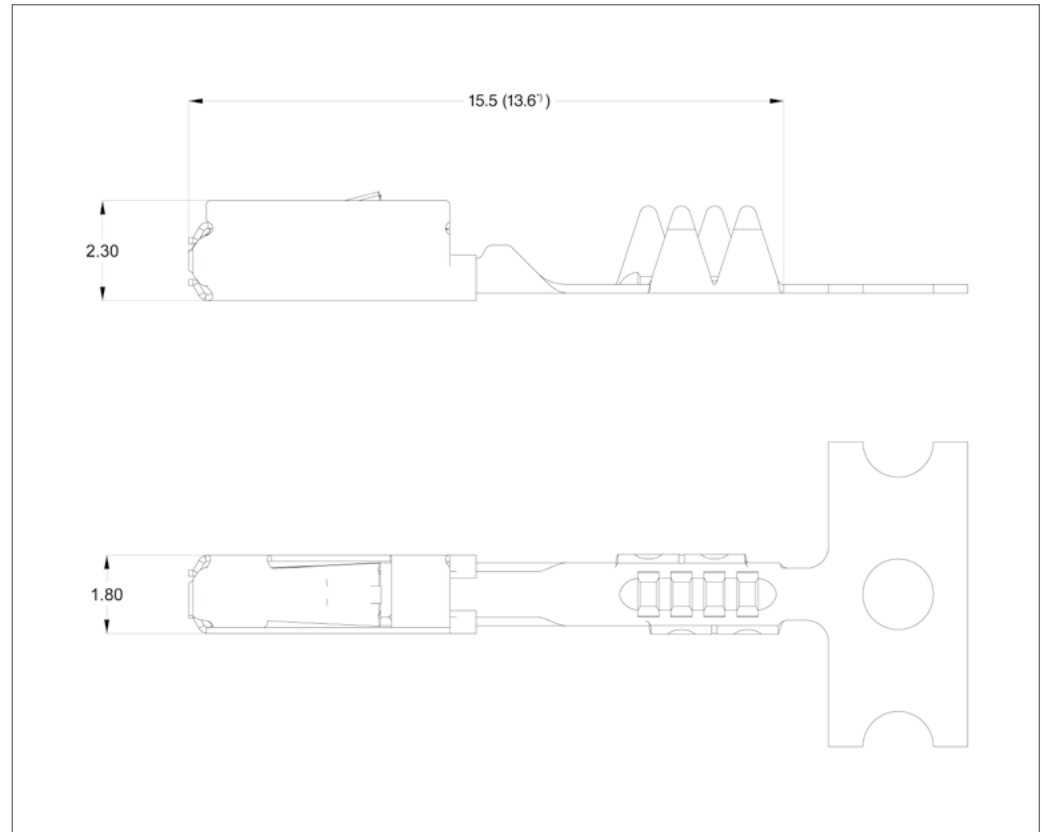
114-18021 / 18025

Wire Size Range (mm <sup>2</sup> )	Insulation Diameter (mm) FLR	Part Number	Material Finish	Table Drawing	Single Wire Seal	
					3.45 mm Centerline	4.0 mm Centerline
0.13 - 0.17	0.85 - 1.01	<a href="#">2141830-1</a>	Tin (Sn)	929453	967067-2	963142-2
		<a href="#">2141830-2</a>	Gold (/Au)			
		<a href="#">2141830-3</a>	Silver (Ag)			
0.25 - 0.35	1.10 - 1.60	<a href="#">5-962886-1</a>	Tin (Sn)			
		<a href="#">5-962886-2</a>	Gold (Au)			
		<a href="#">5-962886-3</a>	Silver (Ag)			
0.50 - 0.75	1.40 - 1.90	<a href="#">5-965908-1</a>	Tin (Sn)			
		<a href="#">5-965908-2</a>	Gold (Au)			
		<a href="#">5-965908-3</a>	Silver (Ag)			





**MQS 0.63 Receptacle Locking Lance - Flexible Foil Crimp**



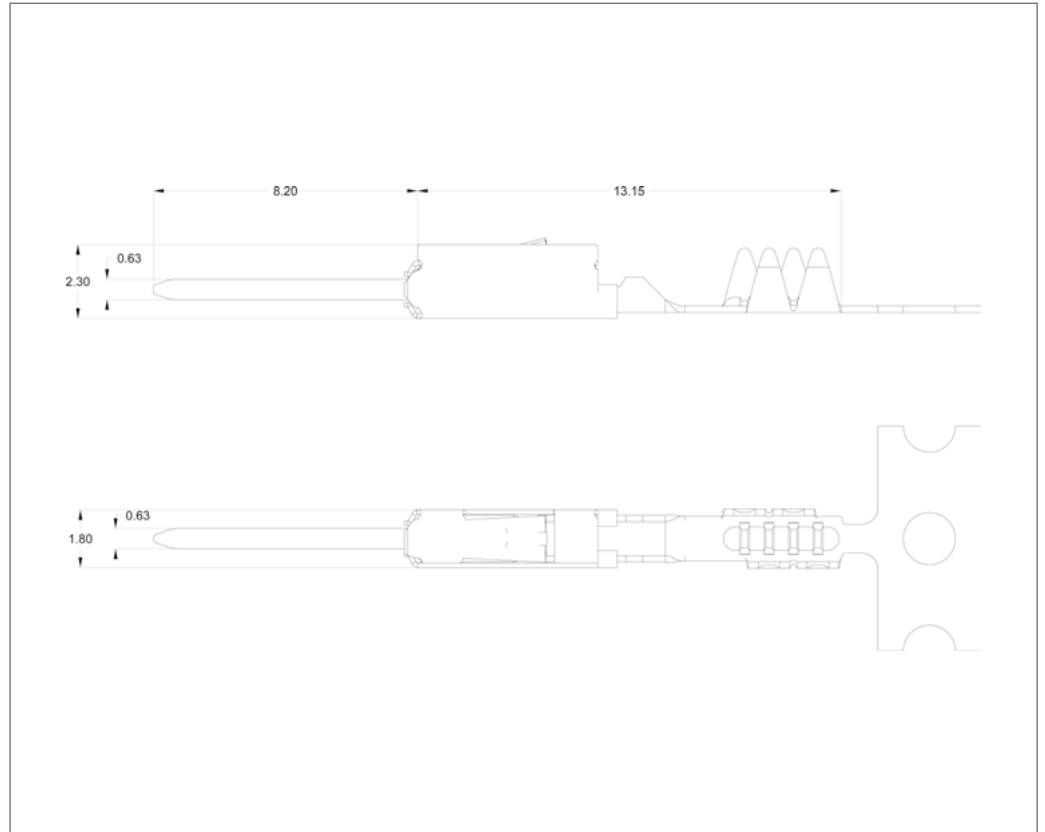
**Technical Features**

- Contact Material:**  
Contact: CuNiSi  
Cantilever Spring: Stainless Steel
- Wire Size Range:**  
Application dependent
- Current Carrying Capacity:**  
Application dependent
- Total Temperature Range:**  
-40°C ... +120°C (tin plated)
- Centerline:**  
Application dependant
- Insertion Force:**  
Max 5 N
- Extraction Force:**  
Max 5 N
- Mating Cycles:**  
20 tin plated
- Product Specification:**  
108-18813 / 18030
- Application Specification:**  
114-18287

Foil Thickness (mm <sup>2</sup> )	Part Number	Material Finish	Table Drawing
>0.45	<a href="#">1418887-1</a>		
<0.45	*) <a href="#">968987-1</a>	Tin (Sn)	1452852
<0.45	<a href="#">929387-1</a>		



## MQS 0.63 Tab Locking Lance - Flexible Foil Crimp



### Technical Features

#### Contact Material:

Contact: CuNiSi

Cantilever Spring: Stainless Steel

#### Wire Size Range:

Application dependent

#### Current Carrying Capacity:

Application dependent

#### Total Temperature Range:

-40°C ... +120°C (tin plated)

#### Centerline:

Application dependent

#### Insertion Force:

Max 5 N

#### Extraction Force:

Max 5 N

#### Mating Cycles:

20 tin plated

#### Product Specification:

108-18030

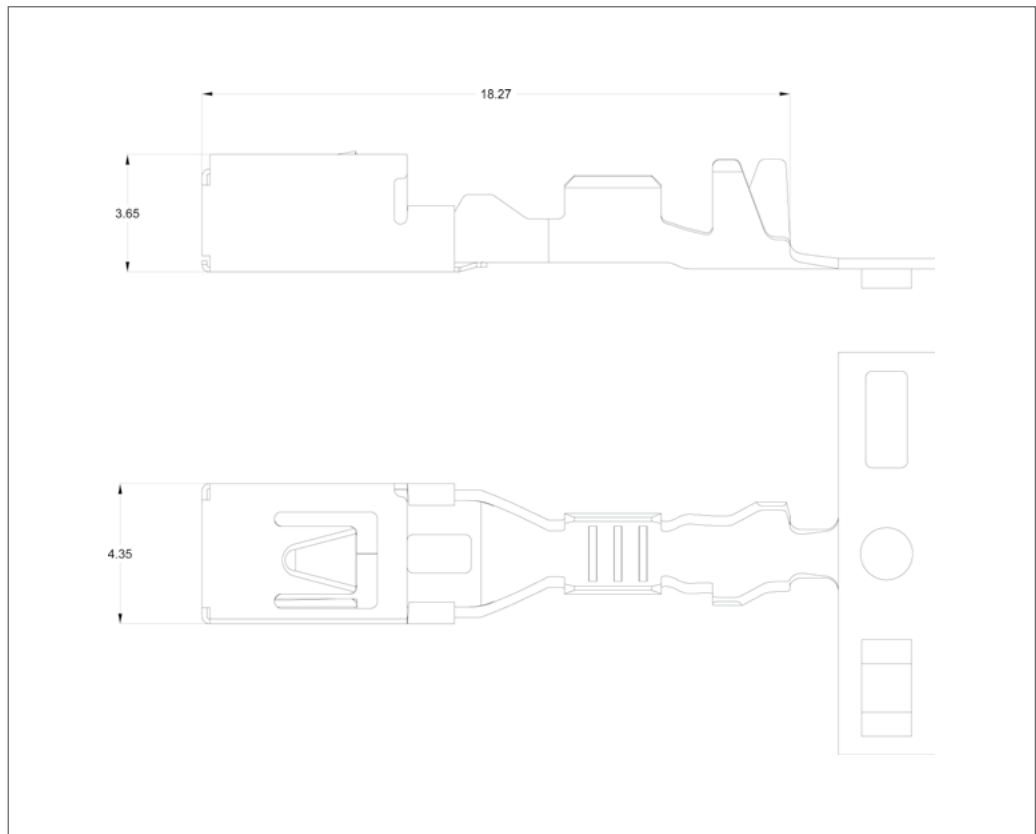
#### Application Specification:

114-18287

Foil Thickness (mm)	Part Number	Material Finish	Table Drawing
>0.45	<a href="#">1452128-1</a>	Tin (Sn)	1452128



**MPQ 2.8 Receptacle Locking Lance**



**Technical Features**

**Contact Material:**  
 Contact: CuNiSi  
 Cantilever Spring: Stainless Steel

**Wire Size Range:**  
 0.35 - 4.0 mm<sup>2</sup>

**Current Carrying Capacity:**  
 up to 30 Ampere  
 (@ 80°C ambient temperature)

**Total Temperature Range:**  
 -40°C ... +130°C (tin plated)  
 -40°C ... +150°C (silver plated)  
 -40°C ... +150°C (gold plated)

**Centerline:**  
 5.08 x 5.08 mm

**Single Wire Sealing System:**  
 7.0 x 7.0 mm

**Insertion Force:**  
 Max 5 N

**Extraction Force:**  
 Max 5 N

**Mating Cycles:**  
 20 tin plated  
 50 silver plated  
 100 gold plated

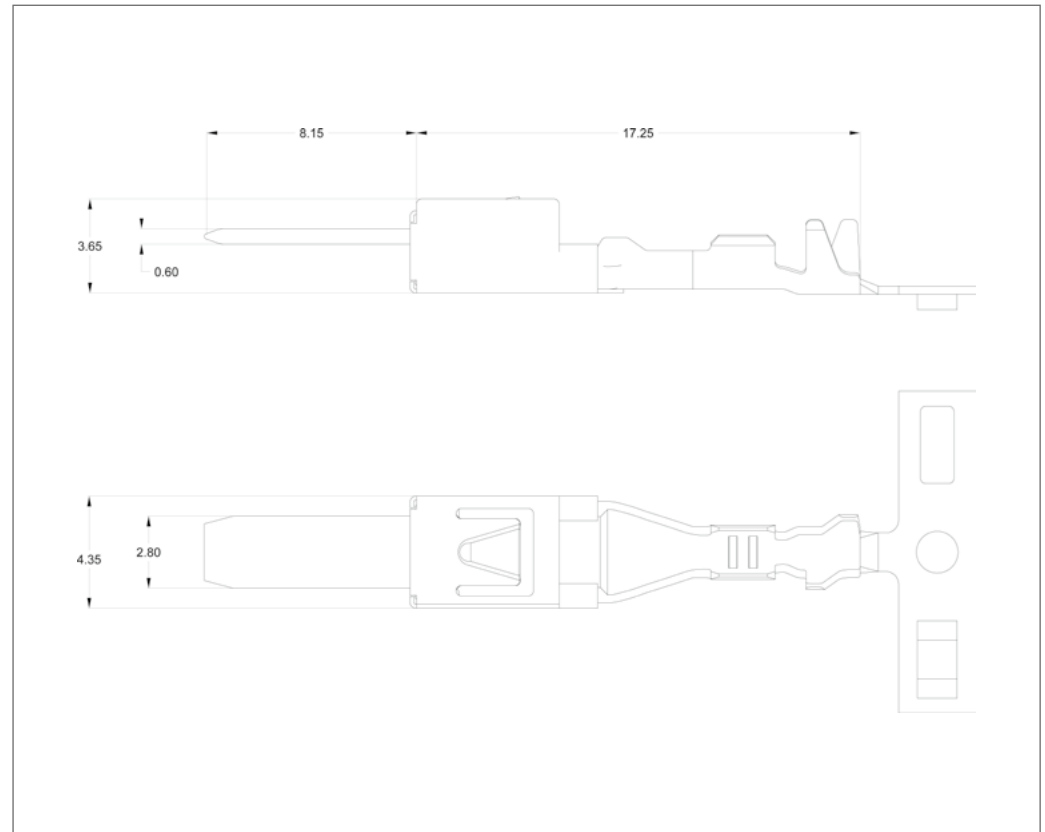
**Product Specification:**  
 108-18476-1

**Application Specification:**  
 114-18141-1

Wire Size Range (mm <sup>2</sup> )	Insulation Diameter (mm) FLR	Part Number	Material Finish	Table Drawing
0.35 - 0.50	1.2 - 1.6	<a href="#">968678-2</a>		
>0.50 - 1.00	>1.6 - 2.1	<a href="#">968074-2</a>	Tin (Sn)	
		<a href="#">968075-2</a>		
		<a href="#">968075-3</a>	Silver (Ag)	1355934
<a href="#">968075-5</a>	Gold (Au)			
1.00 - 2.50	>2.1 - 3.0	<a href="#">1355950-2</a>	Tin (Sn)	
		<a href="#">1355950-3</a>	Silver (Ag)	



## MPQ 2.8 Tab Locking Lance



### Technical Features

#### Contact Material:

Contact: CuNiSi

Cantilever Spring: Stainless Steel

#### Wire Size Range:

0.35 - 4.0 mm<sup>2</sup>

Only standard crimp, no single wire sealed version

#### Current Carrying Capacity:

up to 29 Ampere

(@ 80°C ambient temperature)

#### Total Temperature Range:

-40°C ... +130°C (tin plated)

-40°C ... +150°C (silver plated)

#### Centerline:

5.08 x 5.08 mm

#### Single Wire Sealing System:

7.0 x 7.0 mm

#### Insertion Force:

Max 5 N

#### Extraction Force:

Max 5 N

#### Mating Cycles:

20 tin plated

50 silver plated

#### Product Specification:

108-18476-1

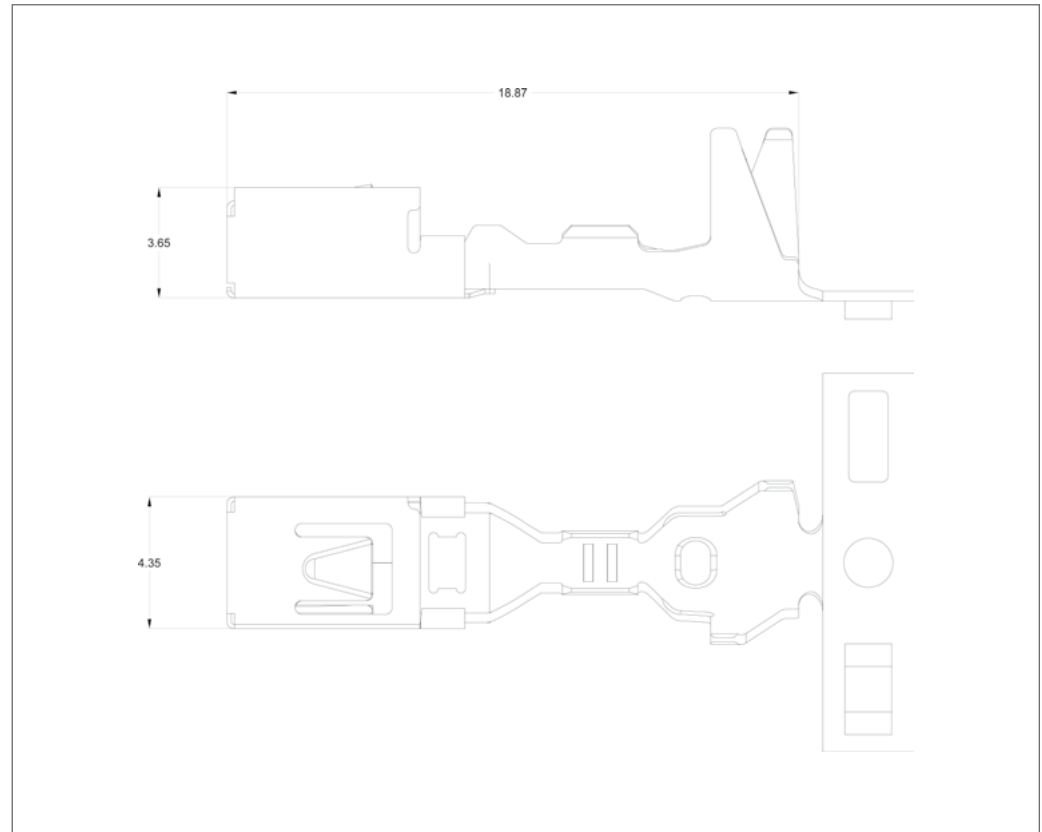
#### Application Specification:

114-18141-1

Wire Size Range (mm <sup>2</sup> )	Insulation Diameter (mm) FLR	Part Number	Material Finish	Table Drawing
>0.50 - 1.00	>1.6 - 2.1	<a href="#">968136-2</a>	Tin (Sn)	1355933
		<a href="#">968136-6</a>	Silver (Ag)	
>1.00 - 2.50	>2.1 - 3.0	<a href="#">968137-2</a>	Tin (Sn)	
		<a href="#">968137-6</a>	Silver (Ag)	
0.35 - 0.50	1.2 - 1.6	<a href="#">968679-2</a>	Tin (Sn)	
>2.5 - 4.00	2.7 - 3.7	<a href="#">1355964-2</a>		



**MPQ 2.8 Receptacle Locking Lance - Single Wire Seal**



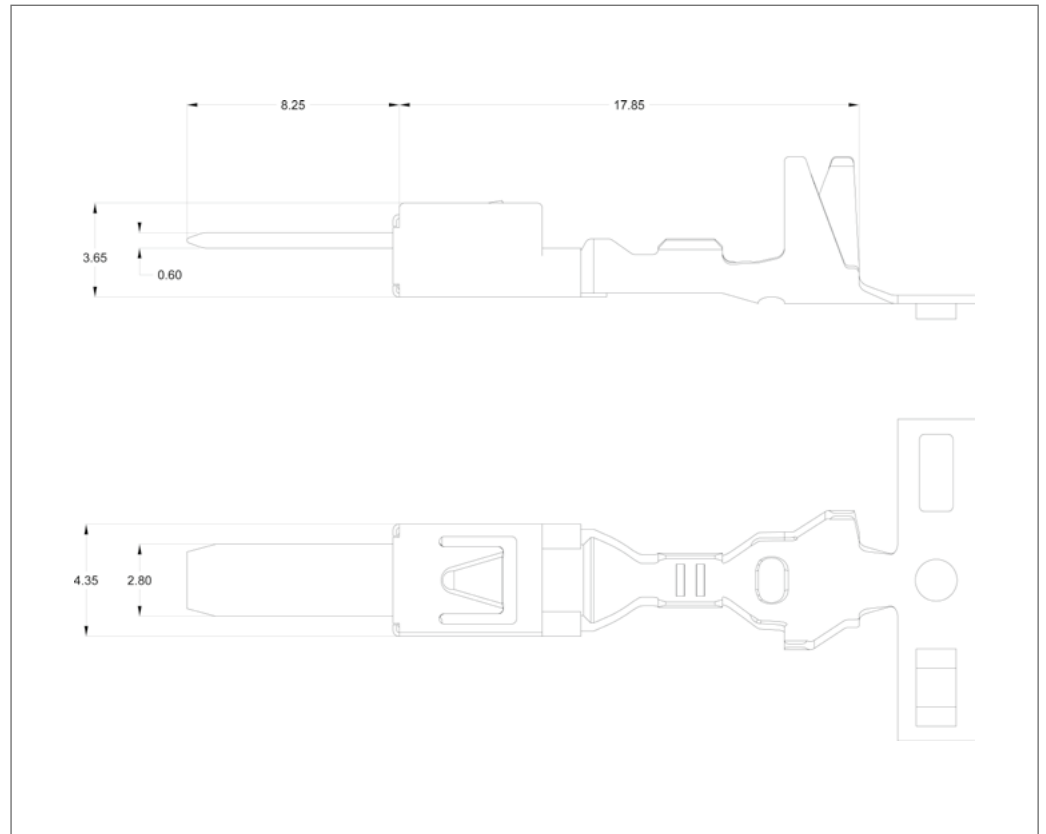
**Technical Features**

- Contact Material:**  
Contact: CuNiSi  
Cantilever Spring: Stainless Steel
- Wire Size Range:**  
0.35 - 4.0 mm<sup>2</sup>
- Current Carrying Capacity:**  
up to 29 Ampere  
(@ 80°C ambient temperature)
- Total Temperature Range:**  
-40°C ... +130°C (tin plated)
- Centerline:**  
5.08 x 5.08 mm
- Single Wire Sealing System:**  
7.0 x 7.0 mm
- Insertion Force:**  
Max 5 N
- Extraction Force:**  
Max 5 N
- Mating Cycles:**  
20 tin plated
- Product Specification:**  
108-18476-1
- Application Specification:**  
114-18141-1

Wire Size Range (mm <sup>2</sup> )	Insulation Diameter (mm) FLR	Part Number	Material Finish	Table Drawing	Single Wire Seal
0.35 - 0.50	1.2 - 1.3	<a href="#">968680-2</a>			967610-1
>0.50 - 1.0	1.7 - 1.9	<a href="#">968119-2</a>	Tin (Sn)	1355934	967610-1
>1.0 - 2.5	1.9 - 2.7	<a href="#">968120-2</a>			967609-1



## MPQ 2.8 Tab Locking Lance



### Technical Features

#### Contact Material:

Contact: CuNiSi  
Cantilever Spring: Stainless Steel

#### Wire Size Range:

0.35 - 4.0 mm<sup>2</sup>

#### Current Carrying Capacity:

up to 29 Ampere  
(@ 80°C ambient temperature)

#### Total Temperature Range:

-40°C ... +130°C (tin plated)

#### Centerline:

5.08 x 5.08 mm

#### Single Wire Sealing System:

7.0 x 7.0 mm

#### Insertion Force:

Max 5 N

#### Extraction Force:

Max 5 N

#### Mating Cycles:

20 tin plated

#### Product Specification:

108-18476-1

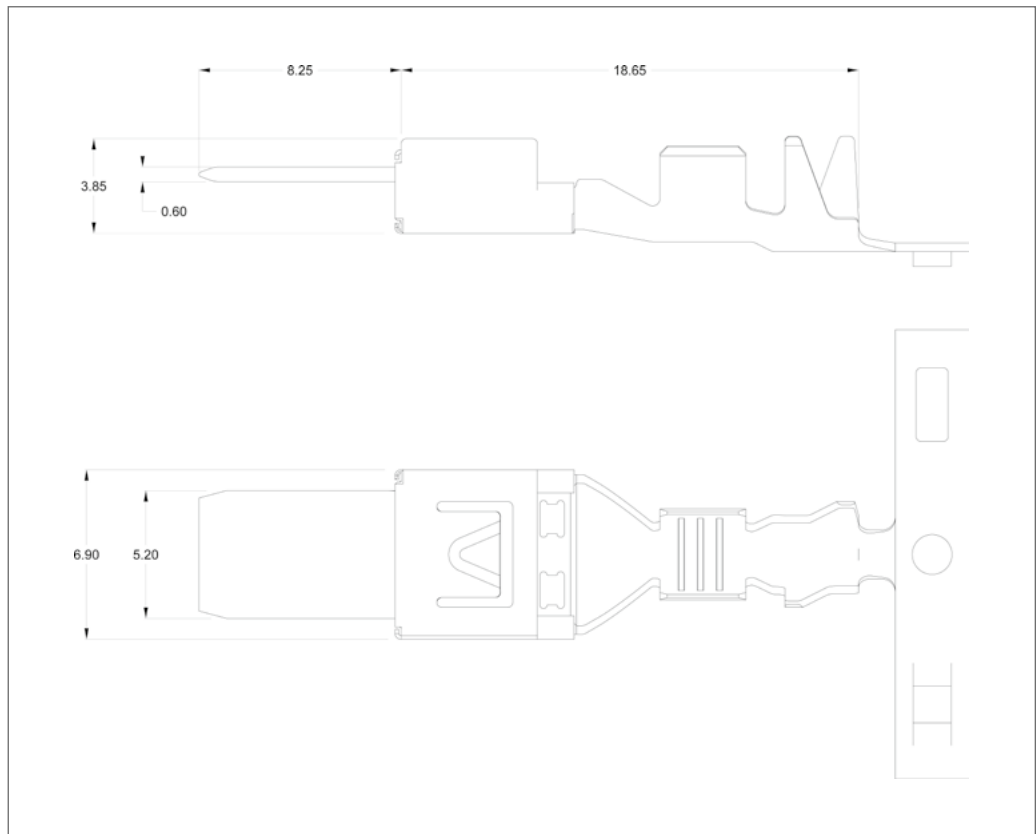
#### Application Specification:

114-18141-1

Wire Size Range (mm <sup>2</sup> )	Insulation Diameter (mm) FLR	Part Number	Material Finish	Table Drawing	Single Wire Seal
0.35 - 0.50	1.2 - 1.3	<a href="#">968681-2</a>	Tin (Sn)	1355933	967610-1
0.50 - 1.0	1.7 - 1.9	<a href="#">968138-2</a>			967609-1
1.00 - 2.50	1.9 - 2.7	<a href="#">968139-2</a>			



PQ 5.2 Tab Locking Lance



Technical Features

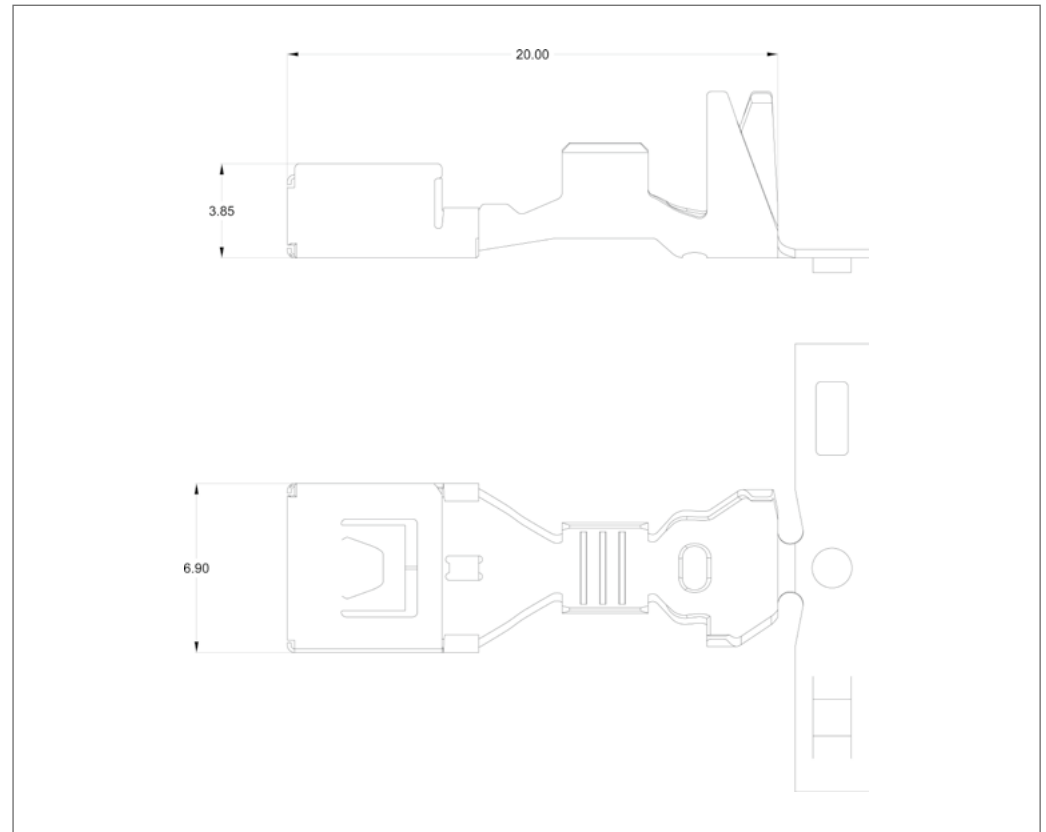
- Contact Material:**  
Contact: CuNiSi  
Cantilever Spring: Stainless Steel
- Wire Size Range:**  
1.00 - 6.0 mm<sup>2</sup>
- Current Carrying Capacity:**  
up to 30 A (80°C)
- Total Temperature Range:**  
-40°C ... +130°C (tin plated)
- Centerline:**  
7.62 x 7.00 mm (Standard)  
7.62 x 6.00 mm (Staggered)
- Insertion Force:**  
Max 5 N
- Extraction Force:**  
Max 5 N
- Mating Cycles:**  
20 tin plated
- Product Specification:**  
108-18476-1
- Application Specification:**  
114-18141-1

Wire Size Range (mm <sup>2</sup> )	Insulation Diameter (mm) FLR	Part Number	Material Finish	Table Drawing
1.00 - 2.50	1.9 - 3.0	<a href="#">968131-2</a>	Tin (Sn)	1241639
2.50 - 4.0	2.7 - 3.7			





## PQ 5.2 Receptacle Locking Lance - Single Wire Seal



### Technical Features

#### Contact Material:

Contact: CuNiSi  
Cantilever Spring: Stainless Steel

#### Wire Size Range:

0.35 - 4.0 mm<sup>2</sup>

#### Current Carrying Capacity:

up to 29 Ampere  
(@ 80°C ambient temperature)

#### Total Temperature Range:

-40°C ... +130°C (tin plated)

#### Centerline:

5.08 x 5.08 mm

#### Single Wire Sealing System:

7.0 x 7.0 mm

#### Insertion Force:

Max 5 N

#### Extraction Force:

Max 5 N

#### Mating Cycles:

20 tin plated

#### Product Specification:

108-18476-1

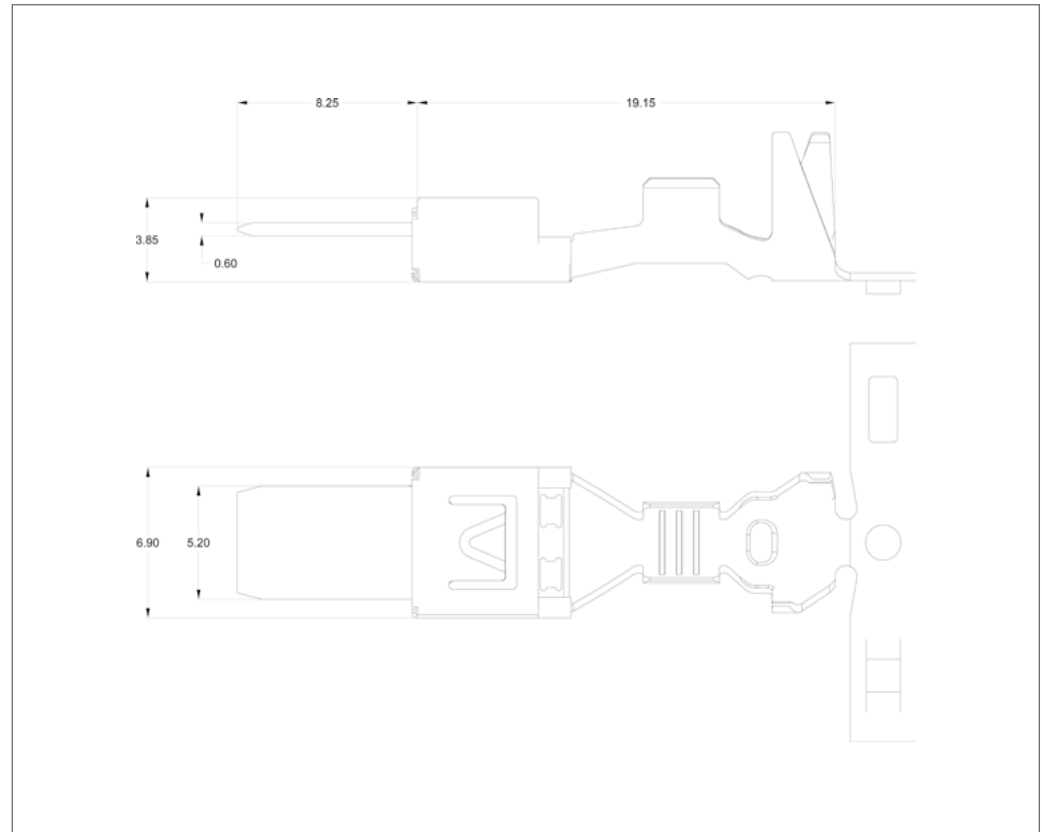
#### Application Specification:

114-18141-1

Wire Size Range (mm <sup>2</sup> )	Insulation Diameter (mm) FLR	Part Number	Material Finish	Table Drawing	Single Wire Seal
1.0 - 2.50	2.2 - 3.0	<a href="#">968121-2</a>	Tin (Sn)	1241638	967607-1
2.50 - 4.0	3.4 - 3.7	<a href="#">968122-2</a>		1241638	967608-1
>4.0 - 6.0	4.0-4.3	<a href="#">1719973-2</a>		1241638	1719972-1



**PQ 5.2 Tab Locking Lance - Single Wire Seal**

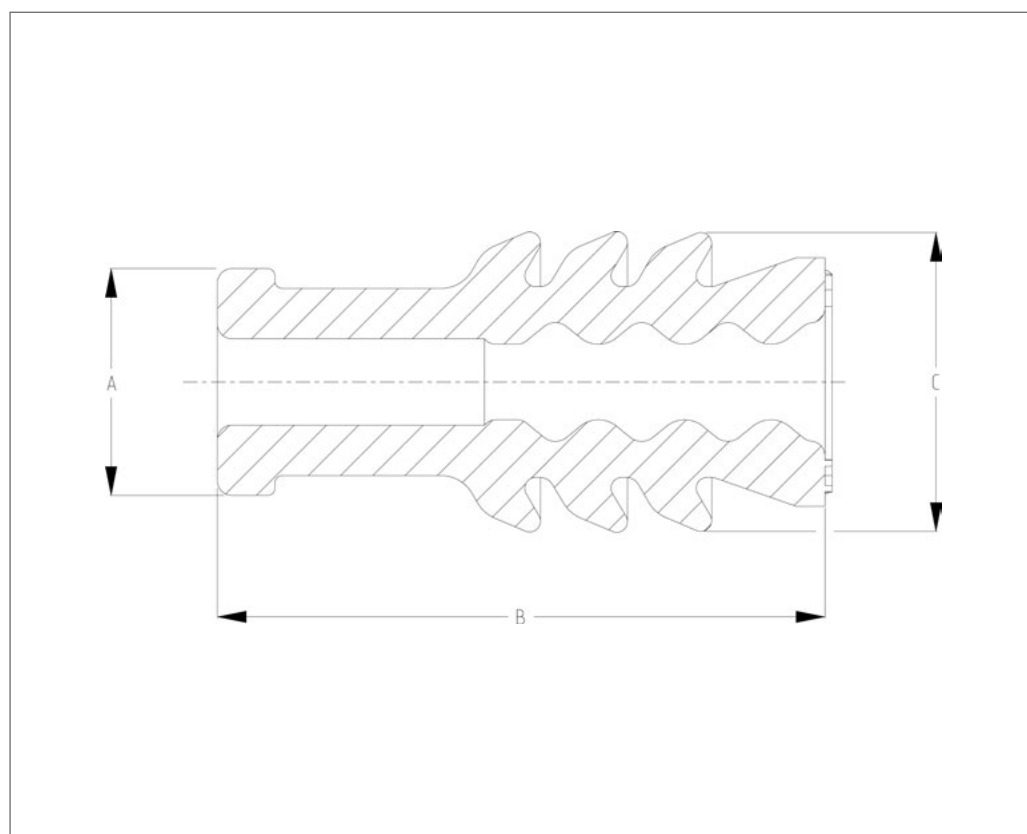


**Technical Features**

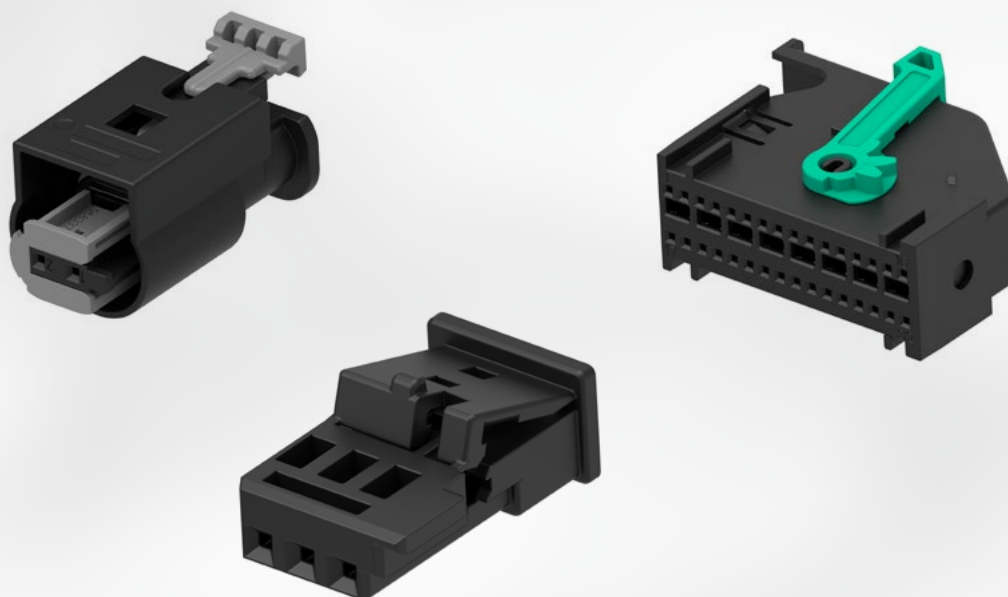
- Contact Material:**  
Contact: CuNiSi  
Cantilever Spring: Stainless Steel
- Wire Size Range:**  
1.00 - 6.0 mm<sup>2</sup>
- Current Carrying Capacity:**  
up to 30 A (80°C)
- Total Temperature Range:**  
-40°C ... +130°C (tin plated)
- Centerline:**  
7.62 x 7.00 mm (Standard)  
7.62 x 6.00 mm (Staggered)
- Insertion Force:**  
Max 5 N
- Extraction Force:**  
Max 5 N
- Mating Cycles:**  
20 tin plated
- Product Specification:**  
108-18476-1
- Application Specification:**  
114-18141-1

Wire Size Range (mm <sup>2</sup> )	Insulation Diameter (mm) FLR	Part Number	Material Finish	Table Drawing	Single Wire Seal
1.0 - 2.50	2.2 - 3.0	<a href="#">968133-2</a>	Tin (Sn)	1241639	967607-1
2.50 - 4.0	3.4 - 3.7	<a href="#">968134-2</a>			967608-1

## Single Wire Seals and Sealing Plugs



Cavity Diameter (mm)	Insulation Diameter (mm) FLR	Color	Part Number	Dimensions		
				A	B	C
3.45	0.85 - 1.60	Yellow	<a href="#">967067-2</a>	3.1	8.5	4.1
	1.40 - 1.90	Green	<a href="#">967067-1</a>			
	Sealing Plug	Blue	<a href="#">967056-1</a>			
4.00	0.85 - 1.60	Grey	<a href="#">963142-2</a>	2.6	8.6	4.7
	1.40 - 1.90	Black	<a href="#">963142-1</a>			
	Sealing Plug	White	<a href="#">963143-1</a>			
6.40	2.2 - 3.0	Yellow	<a href="#">967609-1</a>	3.4	9.3	7.2
	1.20 - 2.1	Grey	<a href="#">967610-1</a>			
	Sealing Plug	Transparent	<a href="#">967653-1</a>			
8.50	2.2 - 3.0	Yellow	<a href="#">967607-1</a>	4.1	9.3	9.4
	3.4 - 3.7	Green	<a href="#">967608-1</a>			
	Sealing Plug	Transparent	<a href="#">967652-1</a>			



## MQL Housings and Connectors

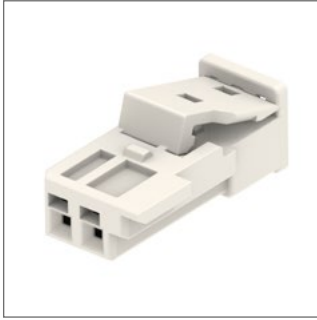
### MQL connectors offer high reliability for use in the automotive industry.

The MQL connector system offers receptacle and tab housings with capability for water-proofing and resistance to conditions of high vibration.

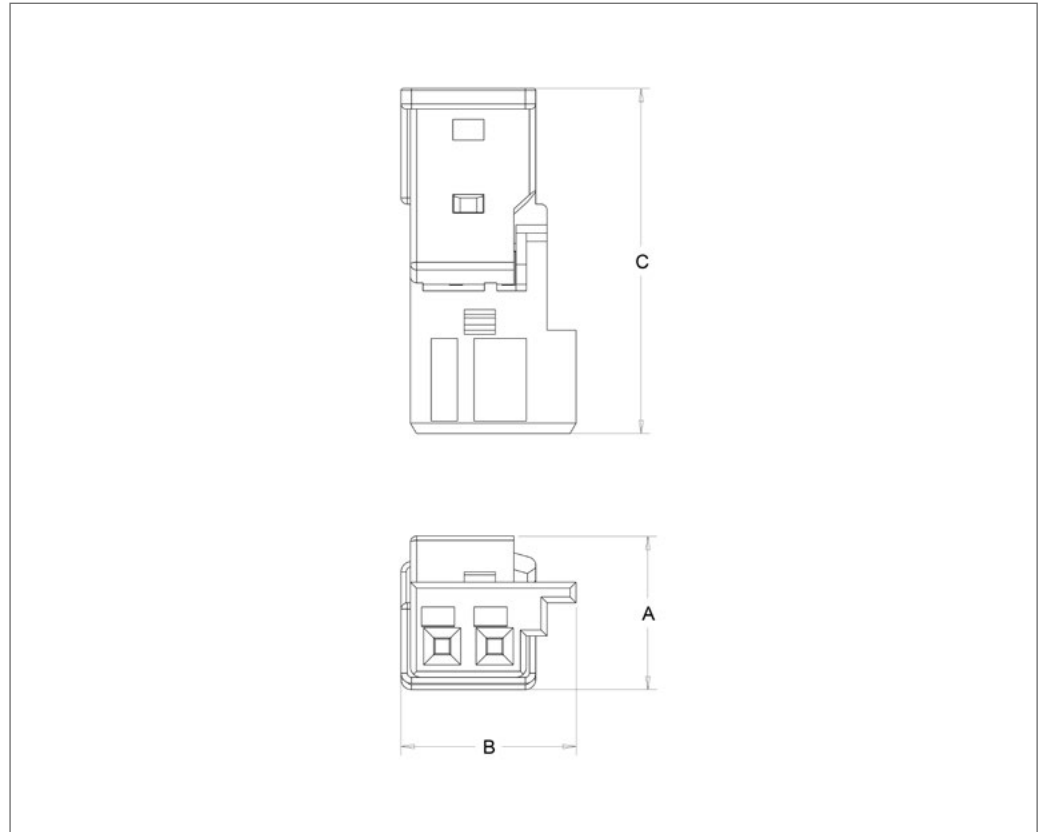
In order to allow for combination of low and medium current – several hybrid connectors complete the MQL connector system in addition to flexible foil connectors for complex space constraints which can be found for example in battery cell modules.

### Features

- CPA (Connector Position Assurance) capability
- High reliability status – supported for long term use
- High vibration level supported
- Perfect design to avoid quality problems, reduce manufacturing and service cost
- Wire-to-Wire sealed and unsealed connectors
- Polarization, several keyings
- Locking mechanism for smaller connectors/ mating aid for higher numbers of ways
- Hybrid and flexible foil (FFC) connectors available



## 2pos MQS Receptacle Housing



### Technical Features

**No. of Positions:**  
2

**Style:**  
Receptacle Housing

**Contact System:**  
MQS

**Sealed:**  
No

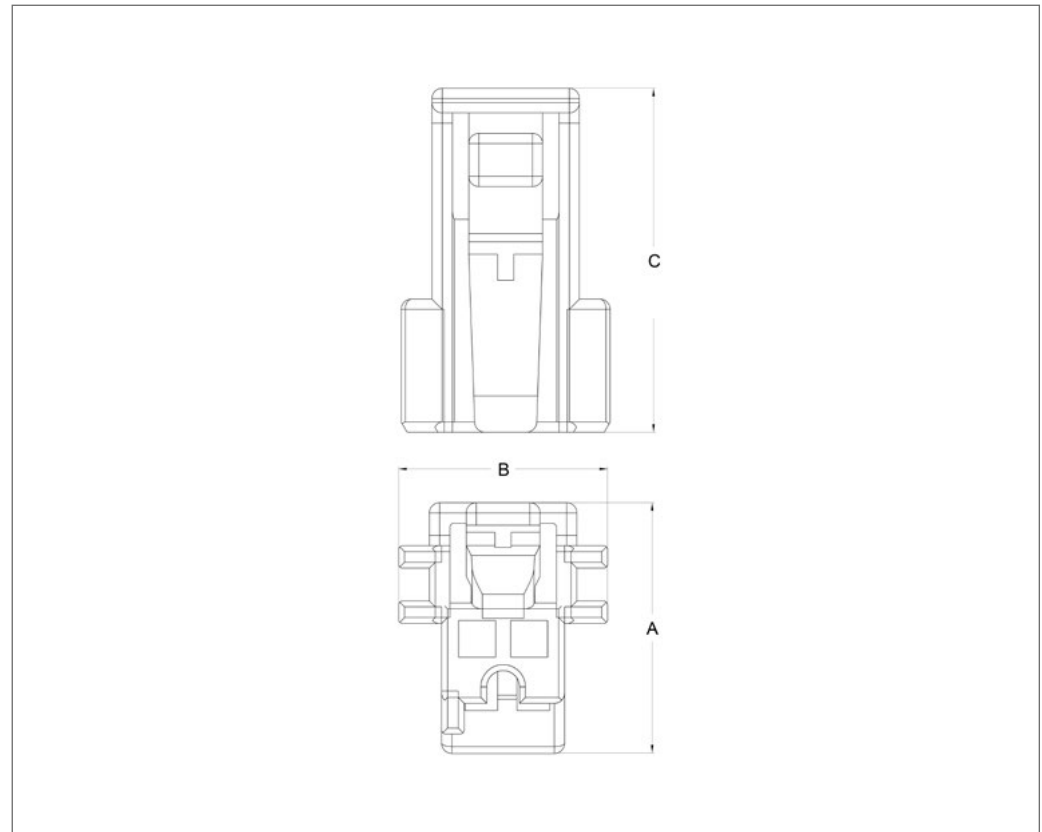
**Application Specification:**  
114-18225-0

**Product Specification:**  
108-18590-0

Part Number	Keying Option	Color	Dimensions			Cover & Lever	Retainer	Mating Parts	
			Height (A)	Length (B)	Width (C)			Connector	Header
<a href="#">1-1718333-1</a>	A	Black	7.42	8	16.7	-	-		-
<a href="#">2-1718333-1</a>	B	Nature	7.42	8.45	16.7	-	-		-
<a href="#">3-1718333-1</a>	C	Blue	7.42	7.05	16.7	-	-	968699	-
<a href="#">4-1718333-1</a>	D	Violet	7.42	7.05	16.7	-	-		-
<a href="#">9-1718333-1</a>	Z	Blue	7.42	7.05	16.7	-	-		-



### 2pos MQS Receptacle Housing



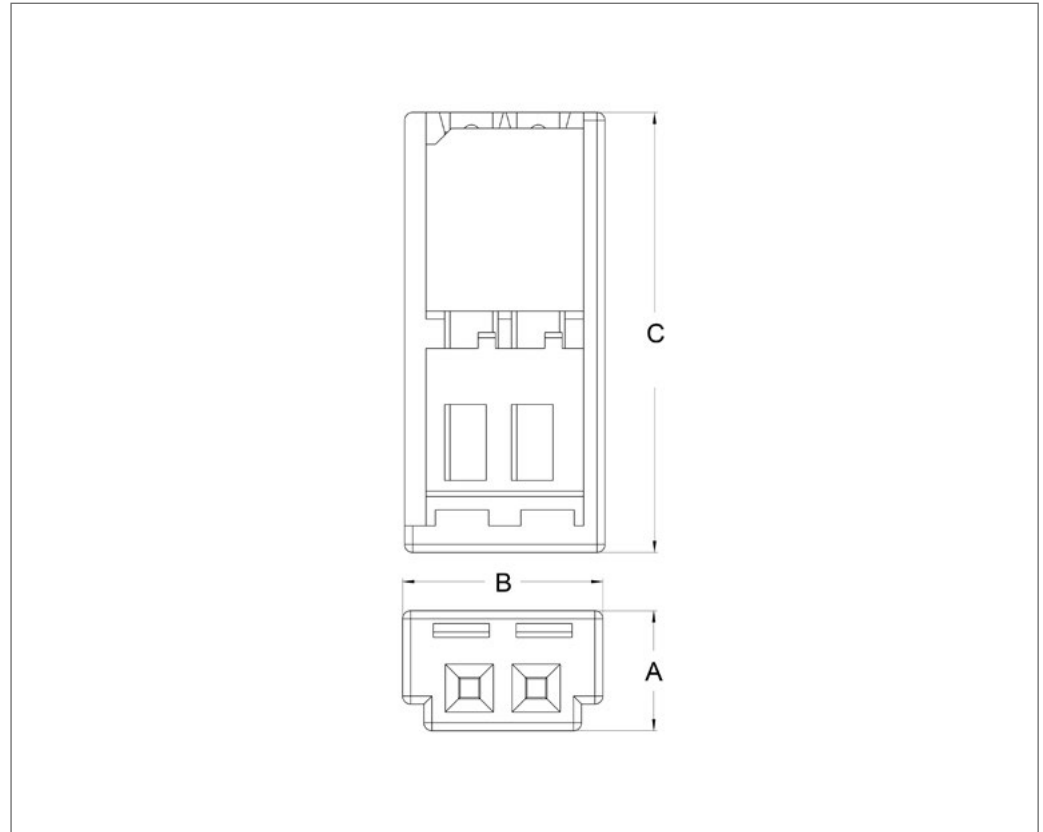
#### Technical Features

- No. of Positions:**  
2
- Style:**  
Receptacle Housing
- Contact System:**  
MQS
- Sealed:**  
No
- Application Specification:**  
-
- Product Specification:**  
108-18620

Part Number	Keying Option	Color	Dimensions			Cover & Lever	Retainer	Mating Parts	
			Height (A)	Length (B)	Width (C)			Connector	Header
<a href="#">1-929080-5</a>	A	Black	12.22	10.2	16.8	-	-		-
<a href="#">3-929080-5</a>	C	Blue	12.02	8.7	16.8	-	-	1355470	-
<a href="#">4-929080-5</a>	D	Violet	12.02	7.2	16.8	-	-		-
<a href="#">5-929080-5</a>	E	Green	12.02	8.7	16.8	-	-		-



2pos MGS Receptacle Housing



Technical Features

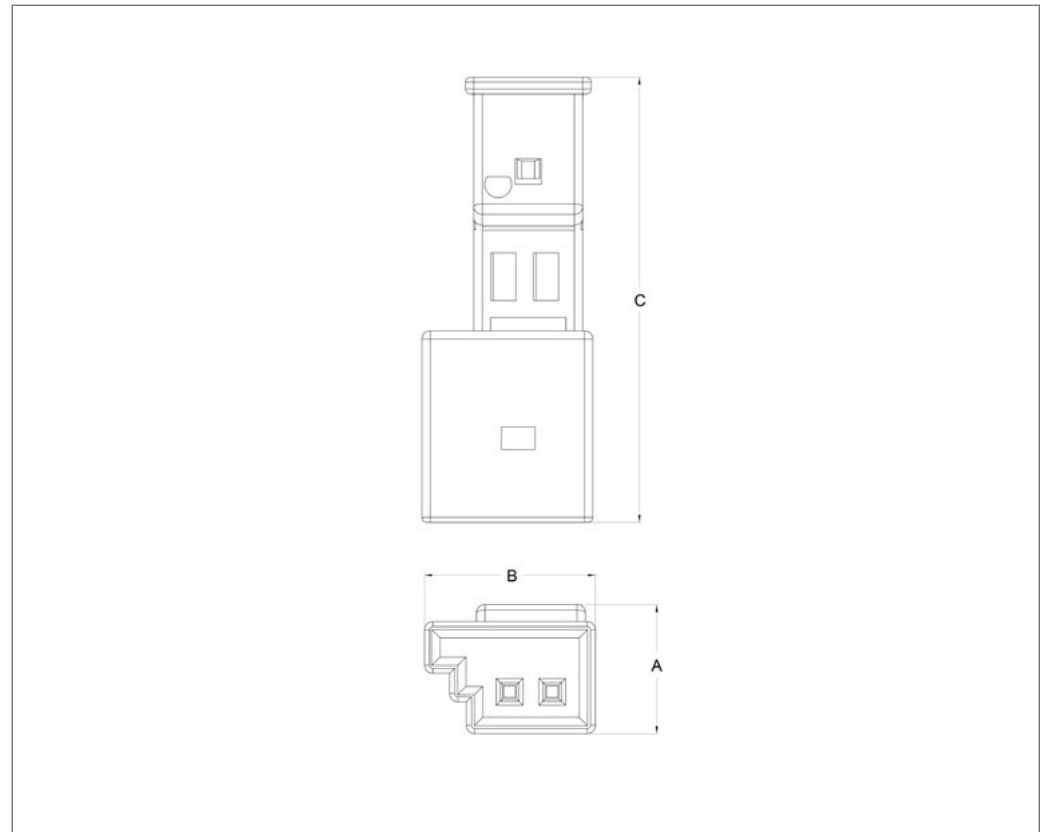
- No. of Positions:  
2
- Style:  
Receptacle Housing
- Contact System:  
MQS
- Sealed:  
No
- Application Specification:  
-
- Product Specification:  
-

Part Number	Keying Option	Color	Dimensions			Cover & Lever	Retainer	Mating Parts	
			Height (A)	Length (B)	Width (C)			Connector	Header
<a href="#">1-1534113-1</a>	A	Black	4.5	7.5	16.5	-	1534112-1	1534155	-





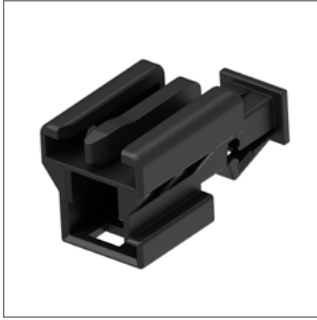
2pos MQS Tab Housing



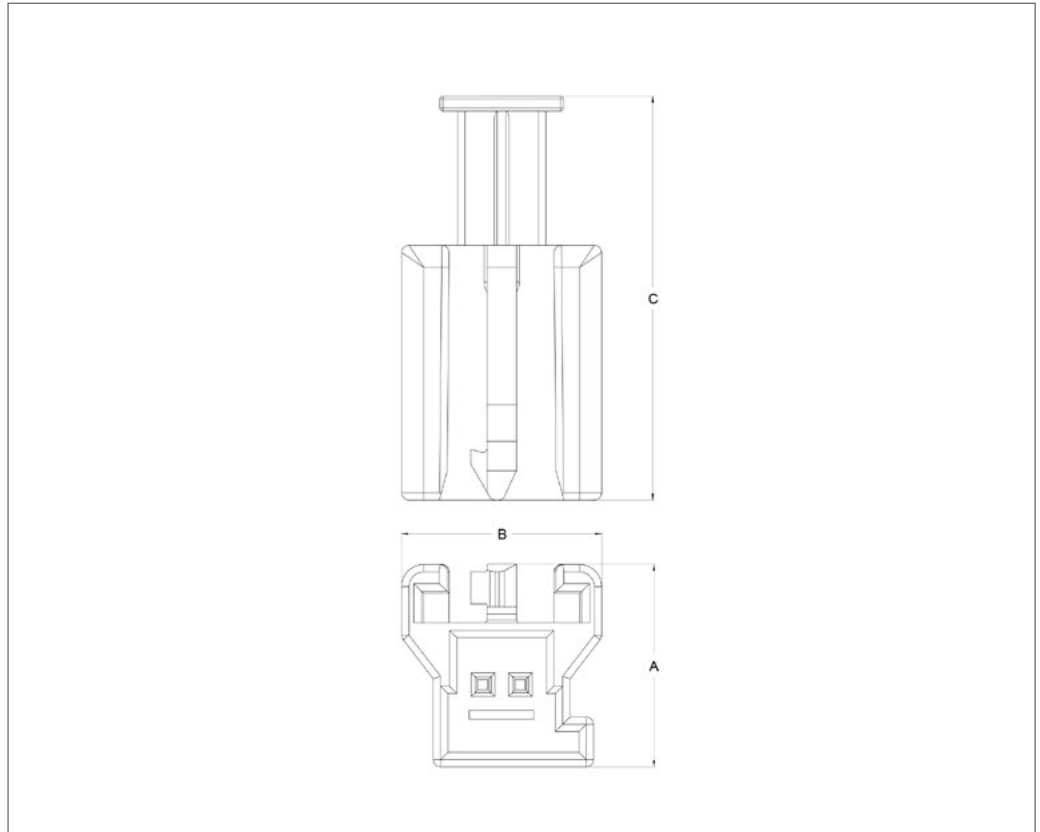
Technical Features

- No. of Positions:**  
2
- Style:**  
Tab Housing
- Contact System:**  
MQS
- Sealed:**  
No
- Application Specification:**  
114-18225-0
- Product Specification:**  
108-18590-0

Part Number	Keying Option	Color	Dimensions			Cover & Lever	Retainer	Mating Parts	
			Height (A)	Length (B)	Width (C)			Connector	Header
<a href="#">1-968699-1</a>	A	Black	7.7	10.2	26.6	-	-	1718333	-
<a href="#">2-968699-1</a>	B	Natural	7.7	10.2	26.6	-	-		-



2pos MGS Tab Housing



**Technical Features**

**No. of Positions:**  
2

**Style:**  
Tab Housing

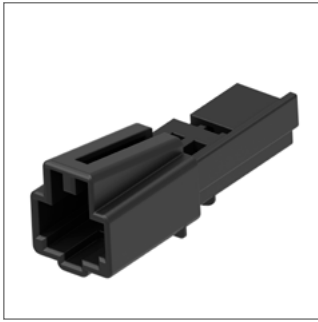
**Contact System:**  
MQS

**Sealed:**  
No

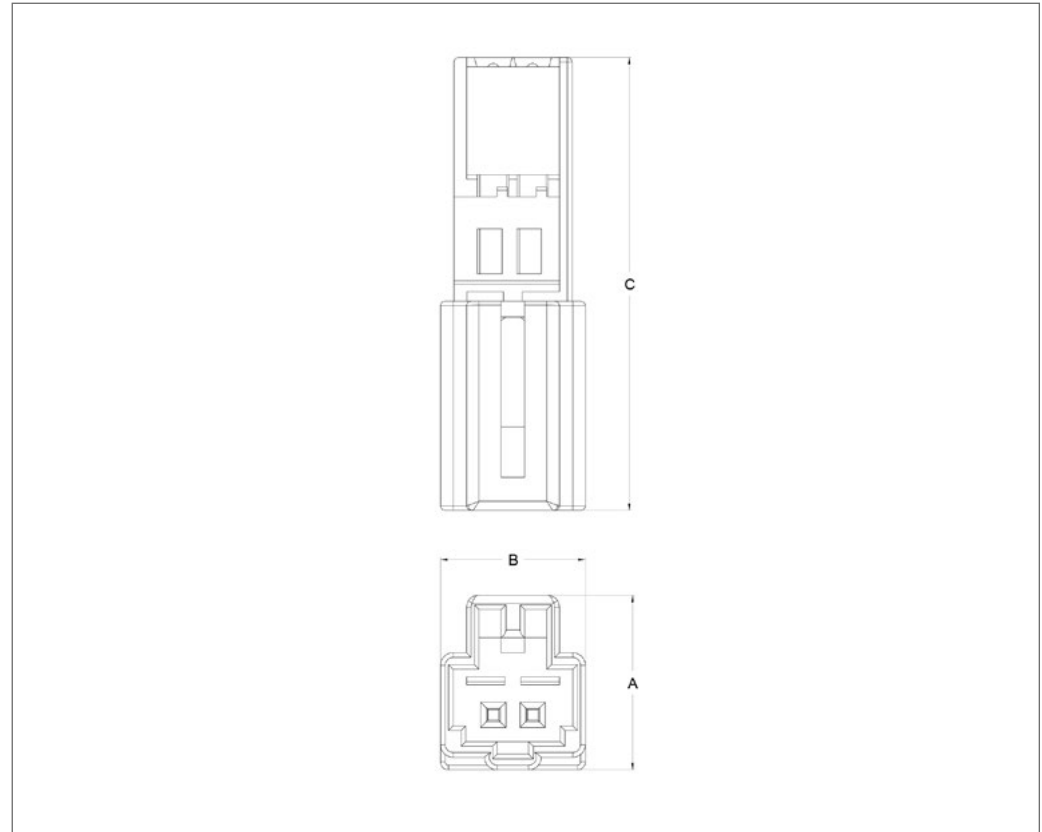
**Application Specification:**  
-

**Product Specification:**  
108-18620

Part Number	Keying Option	Color	Dimensions			Cover & Lever	Retainer	Mating Parts	
			Height (A)	Length (B)	Width (C)			Connector	Header
<a href="#">1-1355470-5</a>	A	Black	13.8	13.6	27.5	-	-	929080	-



2pos MQS Tab Housing



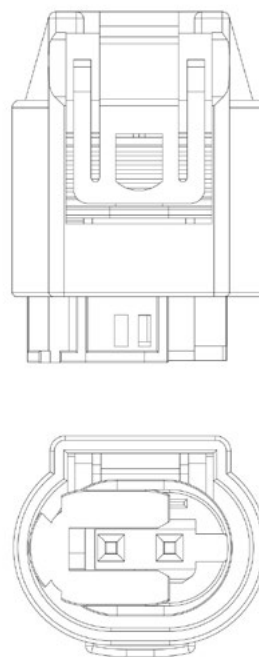
Technical Features

- No. of Positions:**  
2
- Style:**  
Tab Housing
- Contact System:**  
MQS
- Sealed:**  
No
- Application Specification:**  
114-18630
- Product Specification:**  
108-18924

Part Number	Keying Option	Color	Dimensions			Cover & Lever	Retainer	Mating Parts	
			Height (A)	Length (B)	Width (C)			Connector	Header
<a href="#">1-1534155-1</a>	A	Black	11.1	9.2	28.8	-	-	1534113	-



## 2pos MGS Receptacle Housing Sealed



## Technical Features

No. of Positions:

2

Style:

Receptacle Housing

Contact System:

MQS

Sealed:

Yes

Application Specification:

114-18061

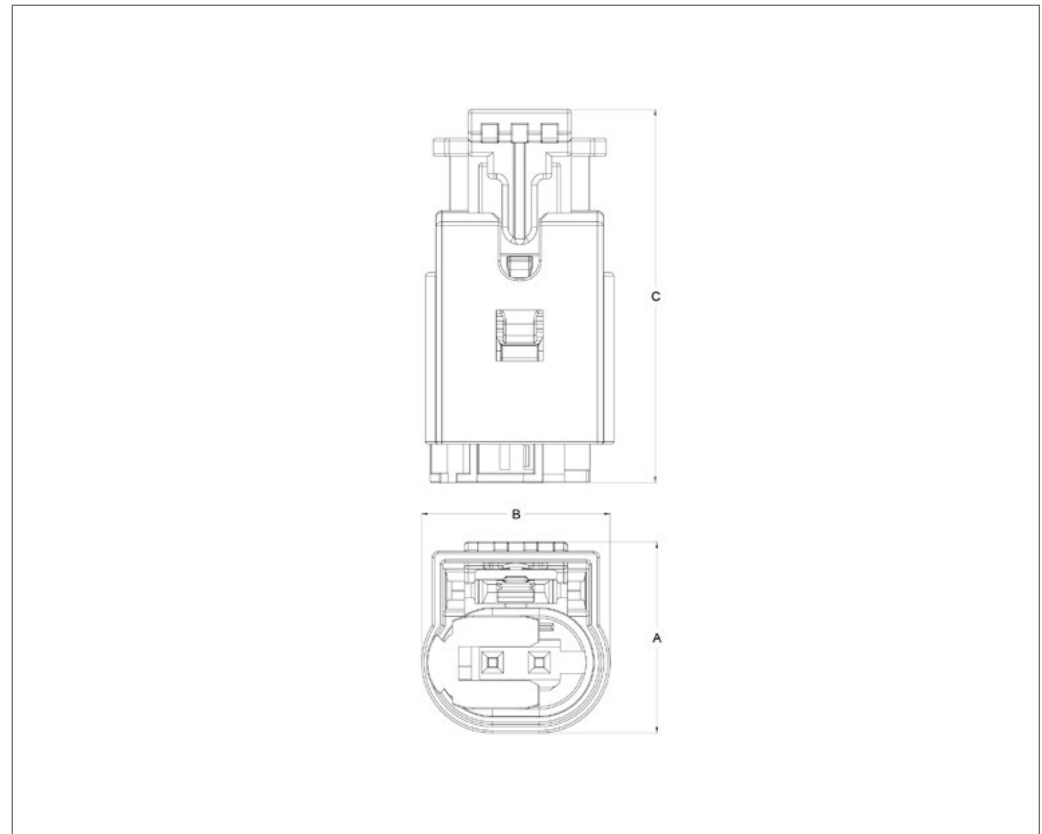
Product Specification:

108-18272-0

Part Number	Keying Option	Color	Dimensions			Cover & Lever	Retainer	Mating Parts	
			Height (A)	Length (B)	Width (C)			Connector	Header
<a href="#">1-967644-1</a>	A	Black	15.2	17.4	24.15	-	-	-	-
<a href="#">7-967644-3</a>	A	Black	15.2	17.4	24.15	-	-	2005342	-
<a href="#">2-967644-1</a>	B	Gray	15.2	17.4	24.15	-	-		-
<a href="#">3-967644-1</a>	C	Blue	15.2	17.4	24.15	-	-	-	-



2pos MQS Receptacle Housing Sealed



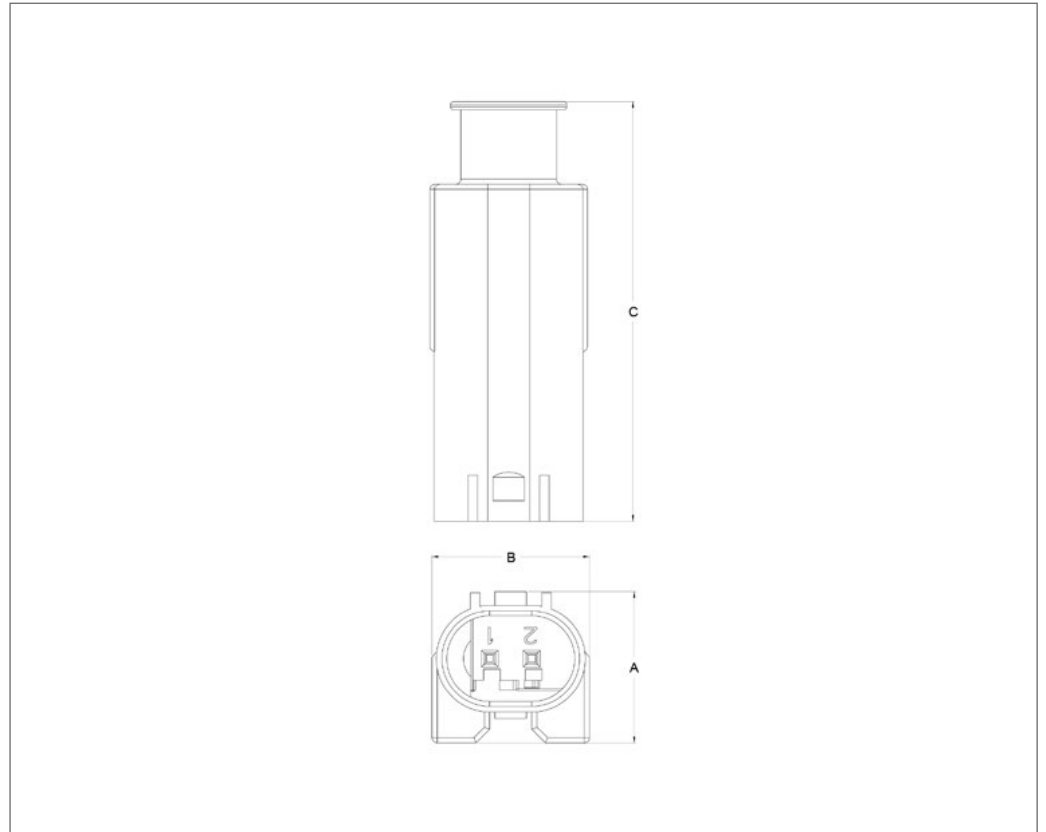
Technical Features

- No. of Positions:  
2
- Style:  
Receptacle Housing
- Contact System:  
MQS
- Sealed:  
Yes
- Application Specification:  
114-18877-1
- Product Specification:  
108-94179

Part Number	Keying Option	Color	Dimensions			Cover & Lever	Retainer	Mating Parts	
			Height (A)	Length (B)	Width (C)			Connector	Header
<a href="#">1-1418463-9</a>	A	Black	16.37	16.1	32	-	-	967570	-



## 2pos MGS Tab Housing Sealed



### Technical Features

**No. of Positions:**

2

**Style:**

Tab Housing

**Contact System:**

MQS

**Sealed:**

Yes

**Application Specification:**

114-18061

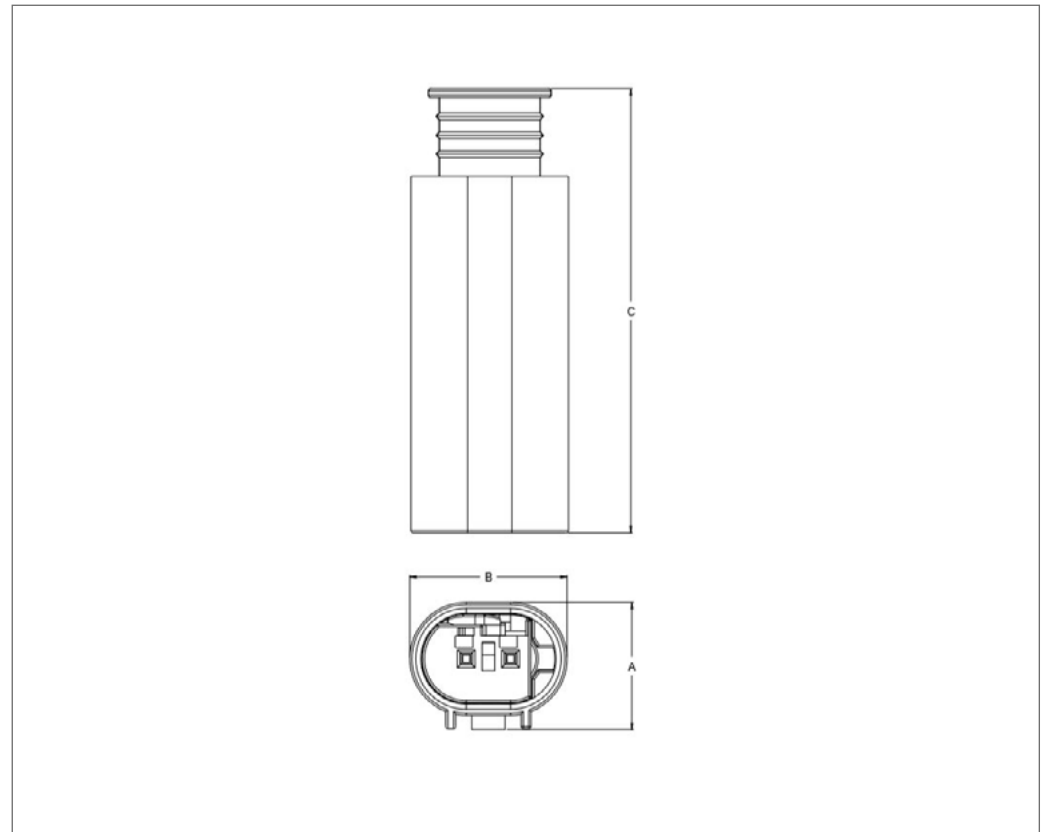
**Product Specification:**

108-18272-0

Part Number	Keying Option	Color	Dimensions			Cover & Lever	Retainer	Mating Parts	
			Height (A)	Length (B)	Width (C)			Connector	Header
<a href="#">2005342-5</a>	A	Yellow	14.45	15	40.1	-	-	967644	-



2pos MQS Tab Housing Sealed



Technical Features

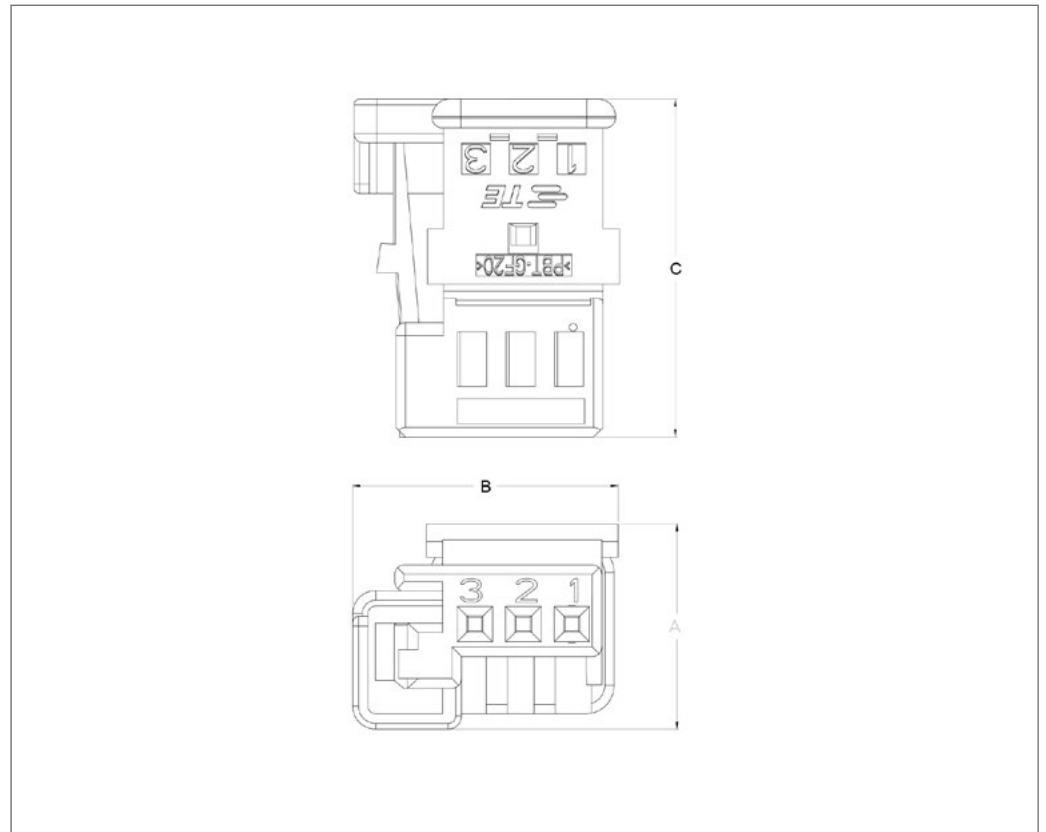
- No. of Positions:**  
2
- Style:**  
Tab Housing
- Contact System:**  
MQS
- Sealed:**  
Yes
- Application Specification:**  
114-18877-1
- Product Specification:**  
108-94179

Part Number	Keying Option	Color	Dimensions			Cover & Lever	Retainer	Mating Parts	
			Height (A)	Length (B)	Width (C)			Connector	Header
<a href="#">1-967570-1</a>	A	Black	11.5	14.2	40.1	-	-		-
<a href="#">7-967570-4</a>	A	Black	15.8	14.2	40.1	-	-	1418463	-





### 3pos MGS Receptacle Housing



#### Technical Features

**No. of Positions:**  
3

**Style:**  
Receptacle Housing

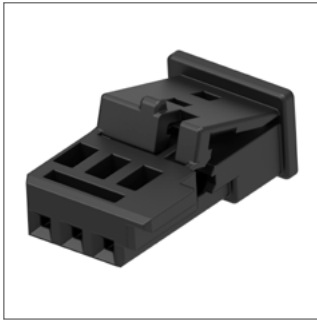
**Contact System:**  
MQS

**Sealed:**  
No

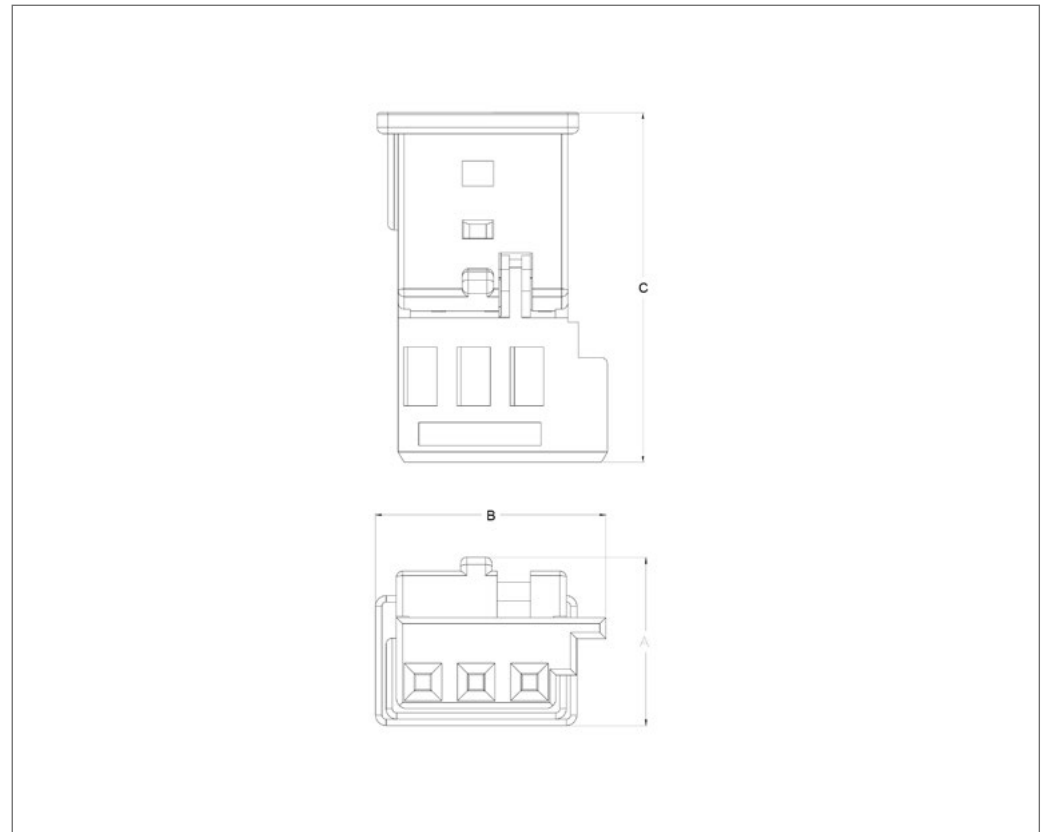
**Application Specification:**  
411-15626

**Product Specification:**  
108-15226

Part Number	Keying Option	Color	Dimensions			Cover & Lever	Retainer	Mating Parts	
			Height (A)	Length (B)	Width (C)			Connector	Header
<a href="#">953697-1</a>	A	Black	10.25	13.9	17.6	-	-	-	-
<a href="#">953697-2</a>	B	White	10.25	13.9	17.6	-	-	953698	-
<a href="#">953697-3</a>	C	Blue	10.25	13.9	17.6	-	-		-
<a href="#">953697-4</a>	D	Yellow	10.25	13.9	17.6	-	-		-



### 3pos MQS Receptacle Housing



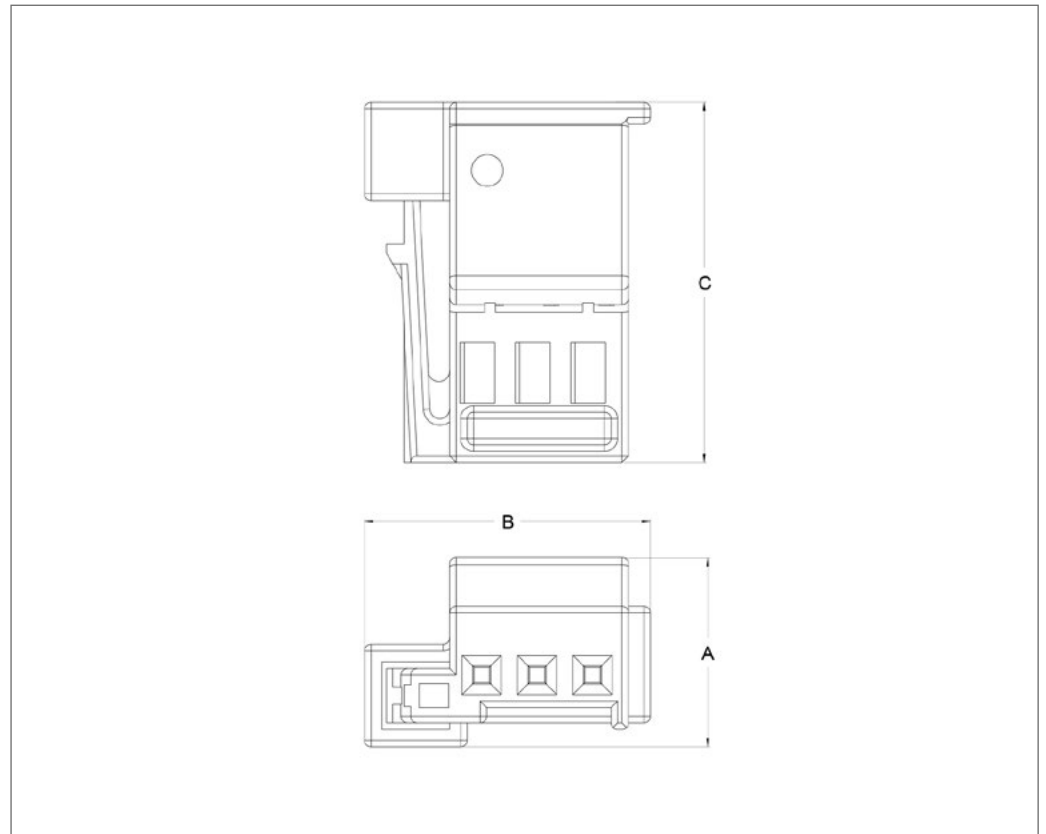
#### Technical Features

- No. of Positions:**  
3
- Style:**  
Receptacle Housing
- Contact System:**  
MQS
- Sealed:**  
No
- Application Specification:**  
114-18225
- Product Specification:**  
108-18590-0

Part Number	Keying Option	Color	Dimensions			Cover & Lever	Retainer	Mating Parts	
			Height (A)	Length (B)	Width (C)			Connector	Header
<a href="#">1-1718346-1</a>	A	Black	8.02	10.99	16.7	-	-		
<a href="#">1-1718346-3</a>	A	Ivory	8.02	9.59	16.7	-	-		
<a href="#">2-1718346-1</a>	B	Natural	8.02	10	16.7	-	-	968700	1355730
<a href="#">3-1718346-1</a>	C	Light Blue	8.04	9.59	16.7	-	-		
<a href="#">4-1718346-1</a>	D	Violet	8.02	9.59	16.7	-	-		
<a href="#">9-1718346-1</a>	Z	Water Blue	8.02	10.99	16.7	-	-		



### 3pos MGS Receptacle Housing



#### Technical Features

No. of Positions:

3

Style:

Receptacle Housing

Contact System:

MQS

Sealed:

No

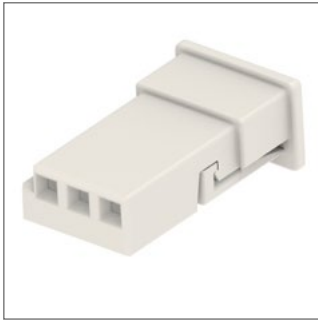
Application Specification:

-

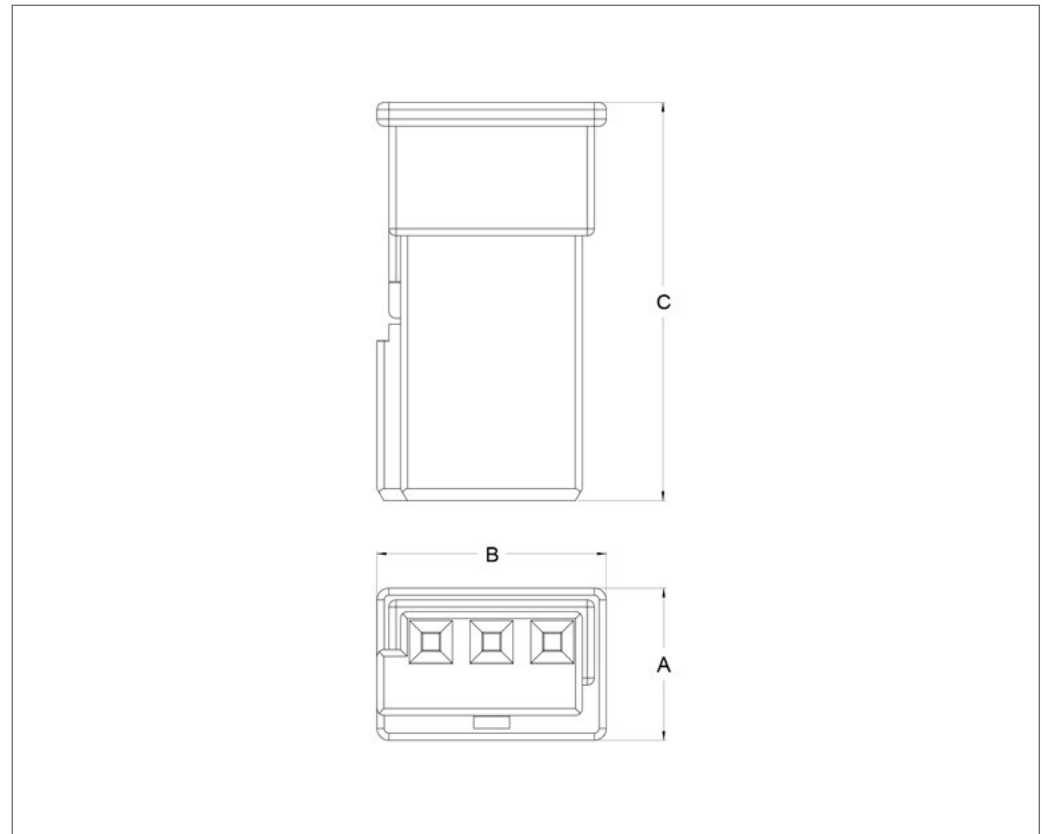
Product Specification:

-

Part Number	Keying Option	Color	Dimensions			Cover & Lever	Retainer	Mating Parts	
			Height (A)	Length (B)	Width (C)			Connector	Header
<a href="#">1-1418640-5</a>	A	Black	8.67	13.1	16.5	-	-		
<a href="#">2-1418640-5</a>	B	Gray	8.67	13.1	16.5	-	-	-	1418637, 1418647
<a href="#">5-1418640-5</a>	E	Green	8.69	13.1	16.5	-	-		



### 3pos MQS Receptacle Housing



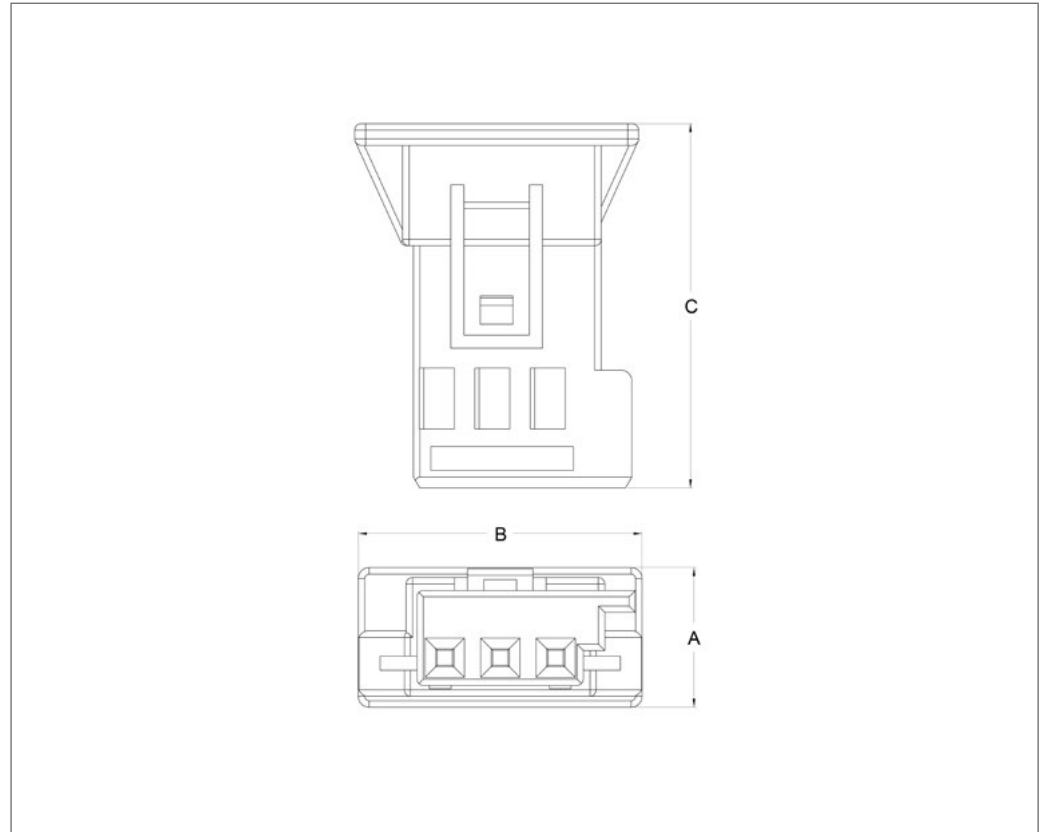
#### Technical Features

- No. of Positions:**  
3
- Style:**  
Receptacle Housing
- Contact System:**  
MQS
- Sealed:**  
No
- Application Specification:**  
-
- Product Specification:**  
-

Part Number	Keying Option	Color	Dimensions			Cover & Lever	Retainer	Mating Parts	
			Height (A)	Length (B)	Width (C)			Connector	Header
<a href="#">1743164-1</a>	-	Natural	6.4	9.6	16.7	-	-	-	1743156
<a href="#">1743164-2</a>	-	Black	6.4	9.6	16.7	-	-	-	1743156



**3pos MQS Receptacle FFC Housing**



**Technical Features**

**No. of Positions:**  
3

**Style:**  
Rec Housing FFC

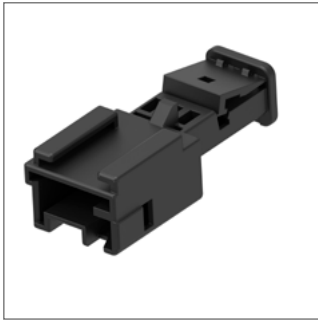
**Contact System:**  
MQS

**Sealed:**  
No

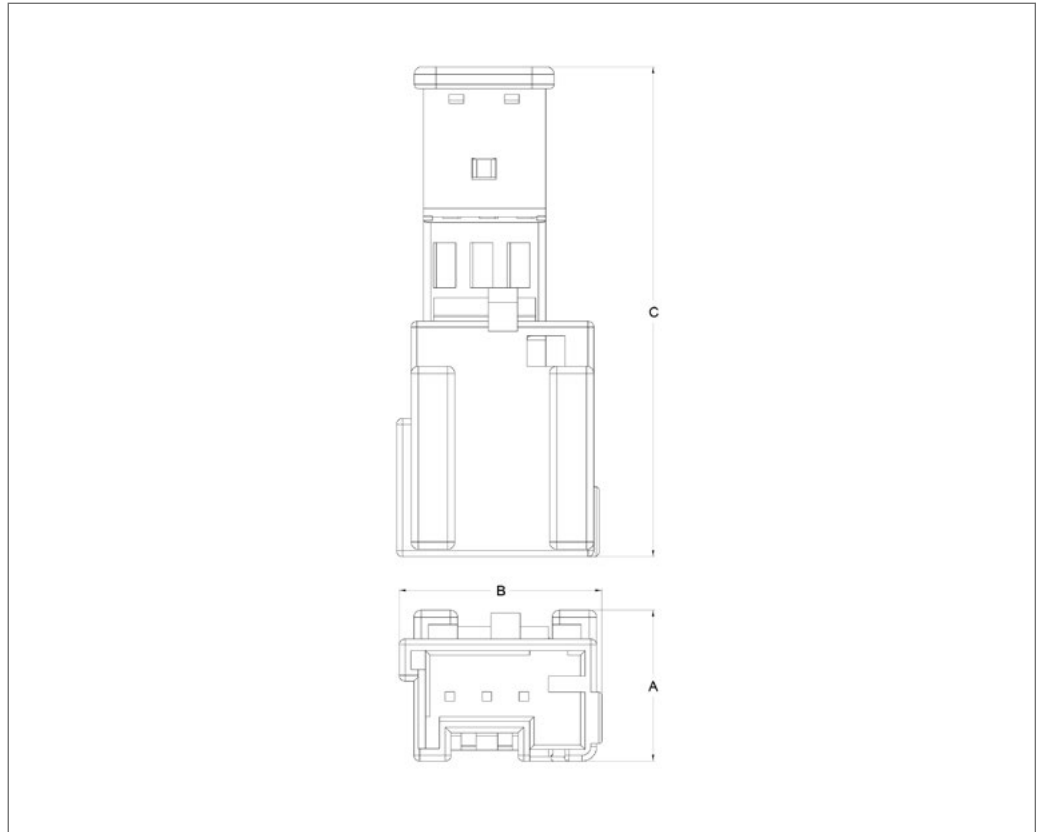
**Application Specification:**  
-

**Product Specification:**  
108-18157

Part Number	Keying Option	Color	Dimensions			Cover & Lever	Retainer	Mating Parts	
			Height (A)	Length (B)	Width (C)			Connector	Header
<a href="#">1-929089-1</a>	A	Black	6.4	13	16.7	-	-	968700	-



3pos MQS Tab Housing



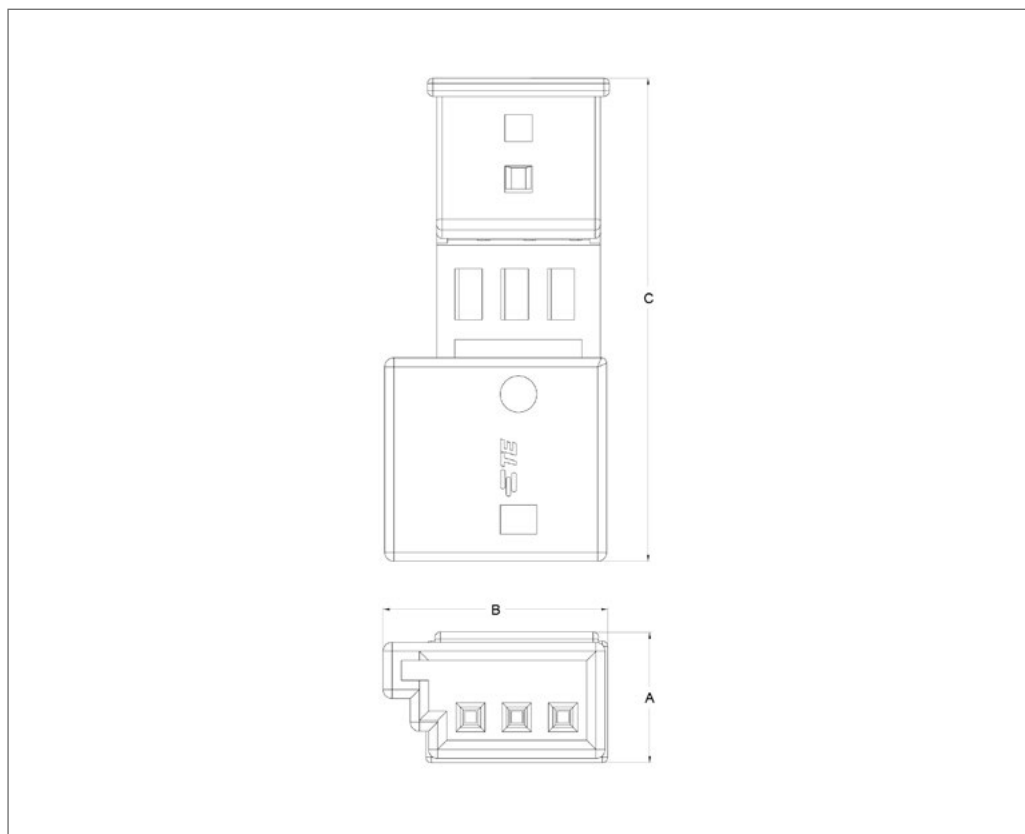
Technical Features

- No. of Positions:  
3
- Style:  
Tab Housing
- Contact System:  
MQS
- Sealed:  
No
- Application Specification:  
411-15626
- Product Specification:  
108-15226

Part Number	Keying Option	Color	Dimensions			Cover & Lever	Retainer	Mating Parts	
			Height (A)	Length (B)	Width (C)			Connector	Header
<a href="#">953698-1</a>	A	Black	10.4	13.9	33.7	-	-	-	-
<a href="#">953698-2</a>	B	White	10.4	13.9	33.7	-	-	953697	-
<a href="#">953698-3</a>	C	Blue	10.4	13.9	33.7	-	-	-	-



### 3pos MGS Tab Housing



#### Technical Features

**No. of Positions:**

3

**Style:**

Receptacle Housing

**Contact System:**

MQS

**Sealed:**

No

**Application Specification:**

114-18225-0

**Product Specification:**

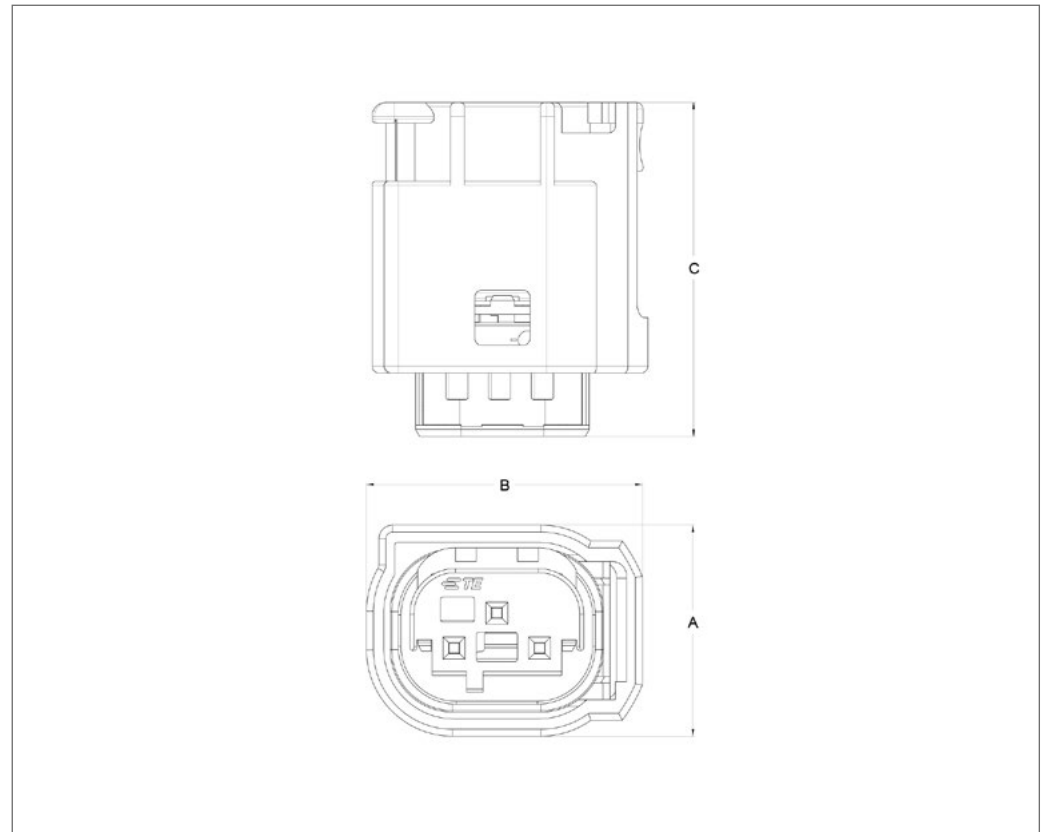
108-18590-0

Part Number	Keying Option	Color	Dimensions			Cover & Lever	Retainer	Mating Parts	
			Height (A)	Length (B)	Width (C)			Connector	Header
<a href="#">1-968700-1</a>	A	Black	7.18	12.35	26.6	-	-	929089,	-
<a href="#">2-968700-1</a>	B	Natural	8.13	10.85	26.6	-	-	1718346	-





3pos MQS Receptacle Housing Sealed



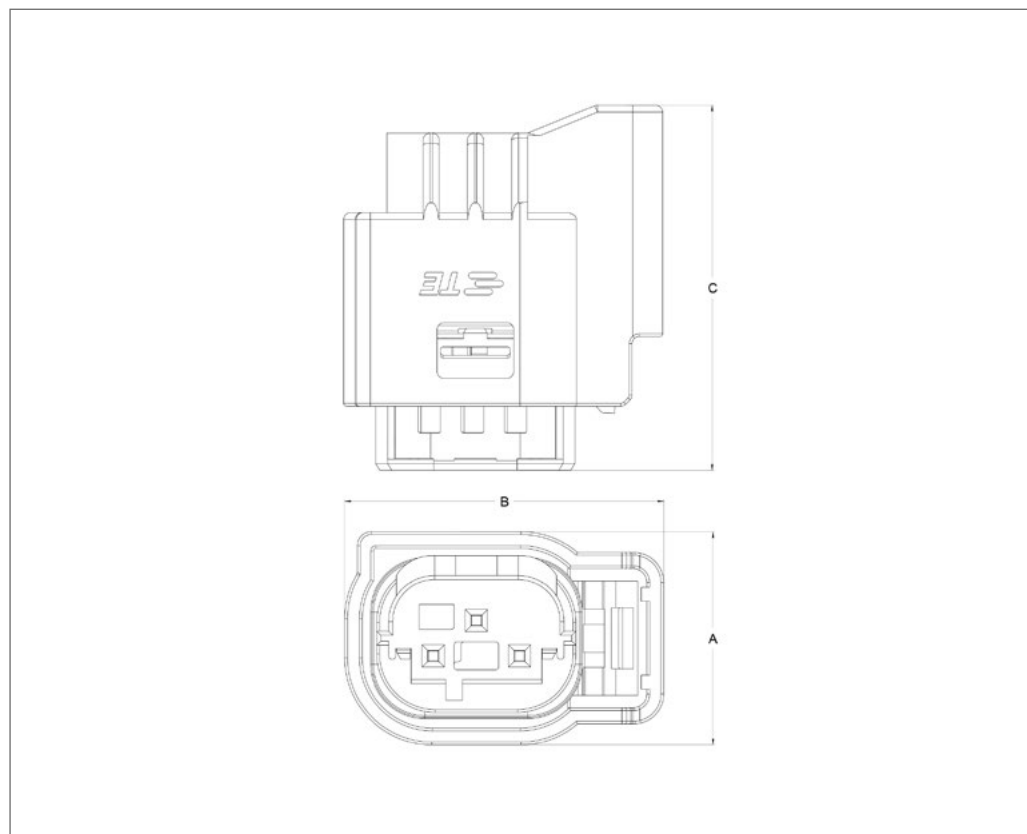
Technical Features

- No. of Positions:  
3
- Style:  
Receptacle Housing
- Contact System:  
MQS
- Sealed:  
Yes
- Application Specification:  
114-18061
- Product Specification:  
108-18272-0

Part Number	Keying Option	Color	Dimensions			Cover & Lever	Retainer	Mating Parts	
			Height (A)	Length (B)	Width (C)			Connector	Header
<a href="#">1-967642-1</a>	A	Black	15.3	20	24.2	-	-	-	-
<a href="#">2-967642-1</a>	B	Gray	15.3	20	24.2	-	-	967167	-
<a href="#">5-967642-1</a>	E	Brown	15.3	20	24.2	-	-	-	-



## 3pos MGS Receptacle Housing Sealed



### Technical Features

**No. of Positions:**

3

**Style:**

Receptacle Housing

**Contact System:**

MQS

**Sealed:**

Yes

**Application Specification:**

-

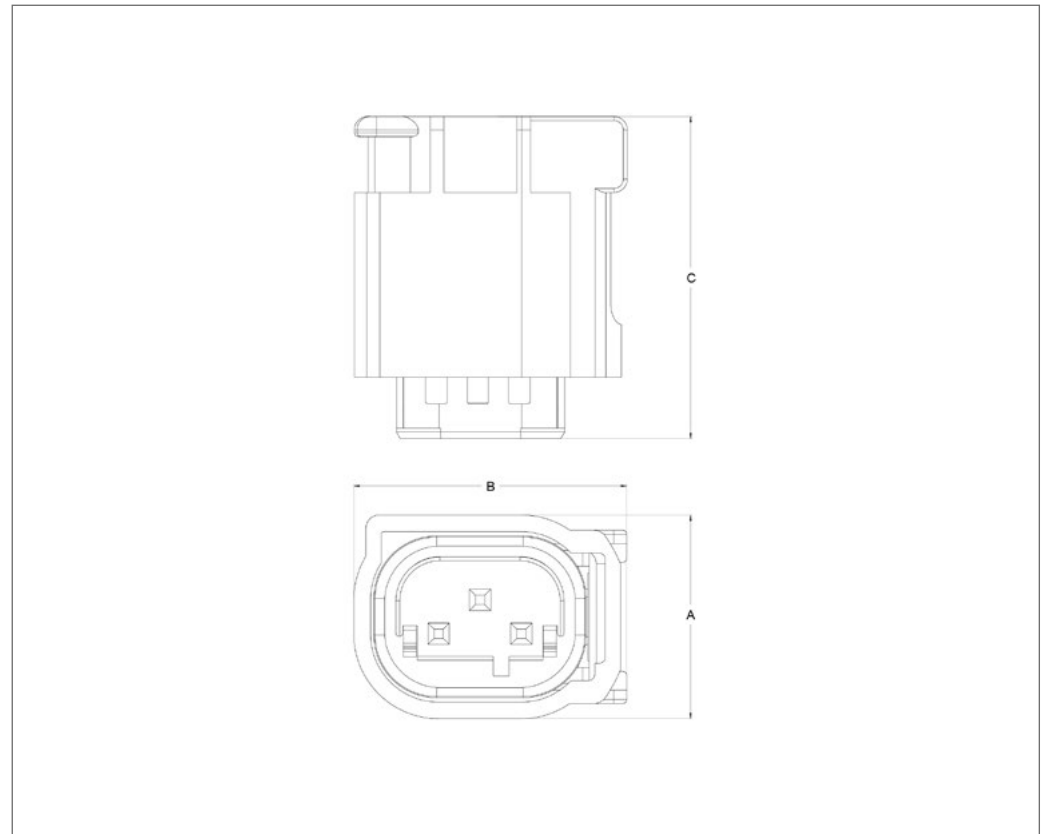
**Product Specification:**

108-15286

Part Number	Keying Option	Color	Dimensions			Cover & Lever	Retainer	Mating Parts	
			Height (A)	Length (B)	Width (C)			Connector	Header
<a href="#">1379729-1</a>	A	Black	15.3	22.9	26.2	-	-	-	-
<a href="#">1379729-2</a>	B	Black	15.3	22.9	26.2	-	-	967167	-



3pos MQS Receptacle Housing Sealed



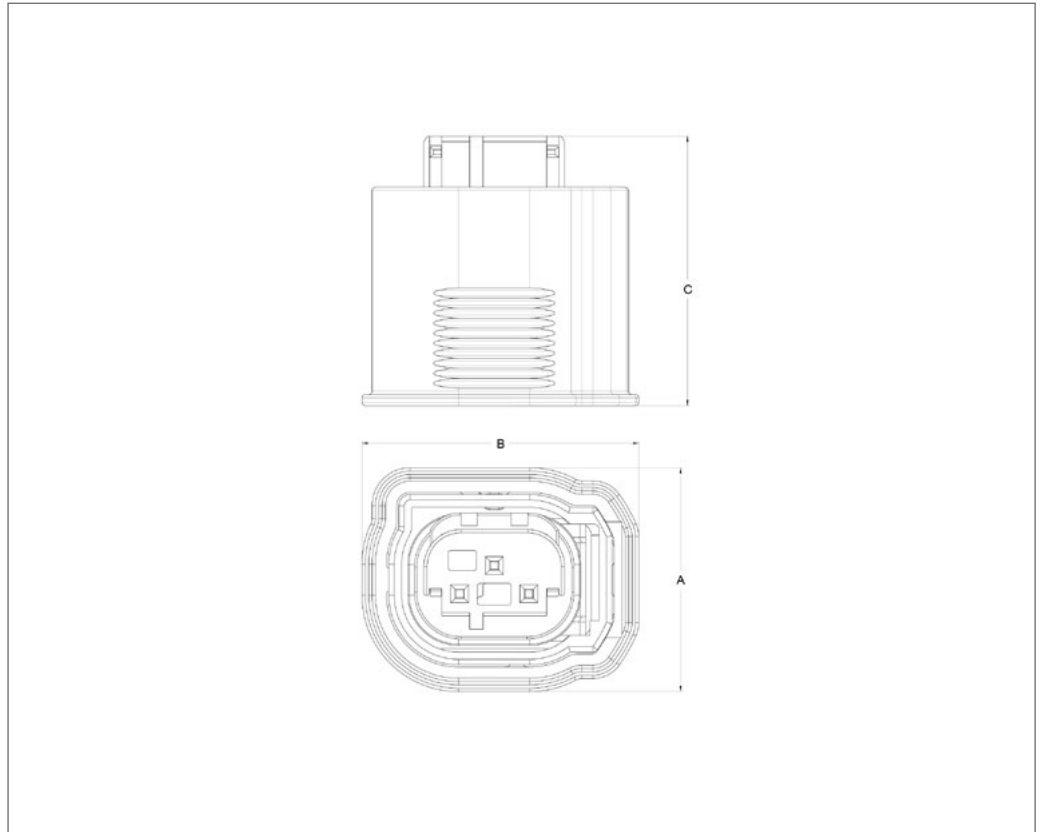
Technical Features

- No. of Positions:**  
3
- Style:**  
Receptacle Housing
- Contact System:**  
MQS
- Sealed:**  
Yes
- Application Specification:**  
114-18025
- Product Specification:**  
108-18272

Part Number	Keying Option	Color	Dimensions			Cover & Lever	Retainer	Mating Parts	
			Height (A)	Length (B)	Width (C)			Connector	Header
<a href="#">1376235-1</a>	A	Black	15.3	20.45	24.2	-	-	967167	-
<a href="#">1376235-2</a>	B	Black	15.3	20.45	24.2	-	-		-



### 3pos MQS Receptacle Housing Sealed



#### Technical Features

**No. of Positions:**  
3

**Style:**  
Receptacle Housing

**Contact System:**  
MQS

**Sealed:**  
Yes

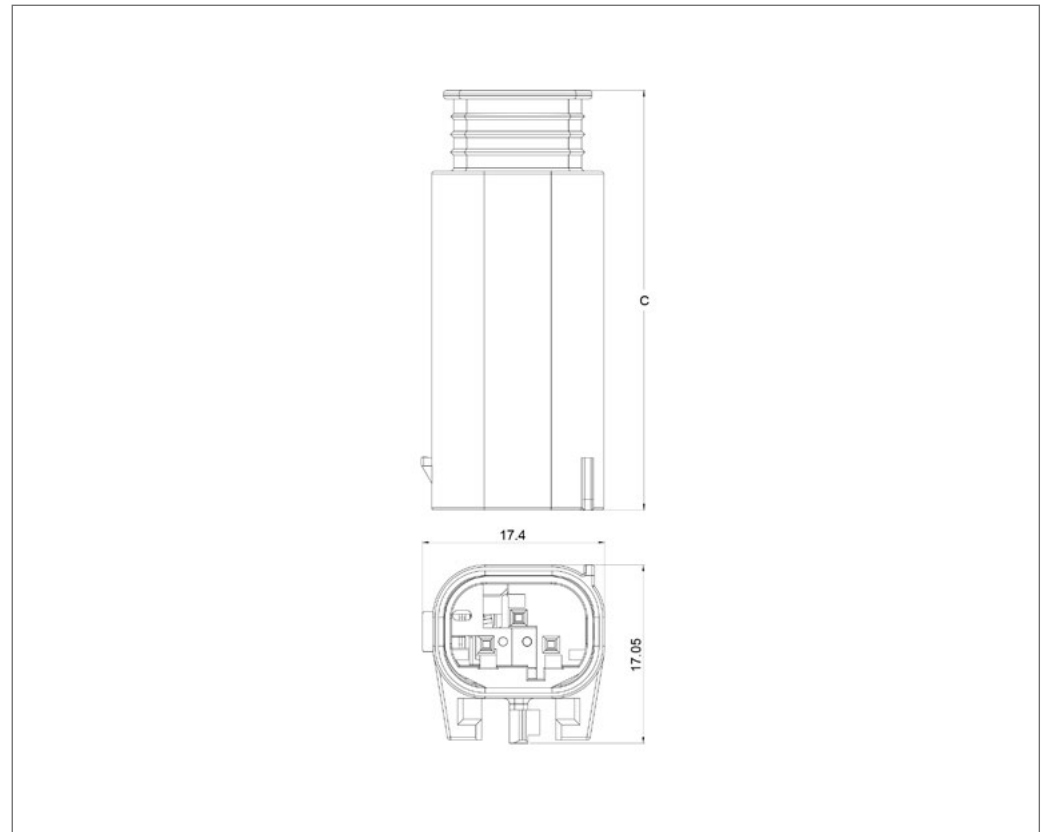
**Application Specification:**  
-

**Product Specification:**  
-

Part Number	Keying Option	Color	Dimensions			Cover & Lever	Retainer	Mating Parts	
			Height (A)	Length (B)	Width (C)			Connector	Header
<a href="#">1418603-1</a>	A	Black	20.1	24.8	24.2	-	-	-	-
<a href="#">1418603-2</a>	B	Black	20.1	24.8	24.2	-	-	967167	-



3pos MQS Tab Housing Sealed



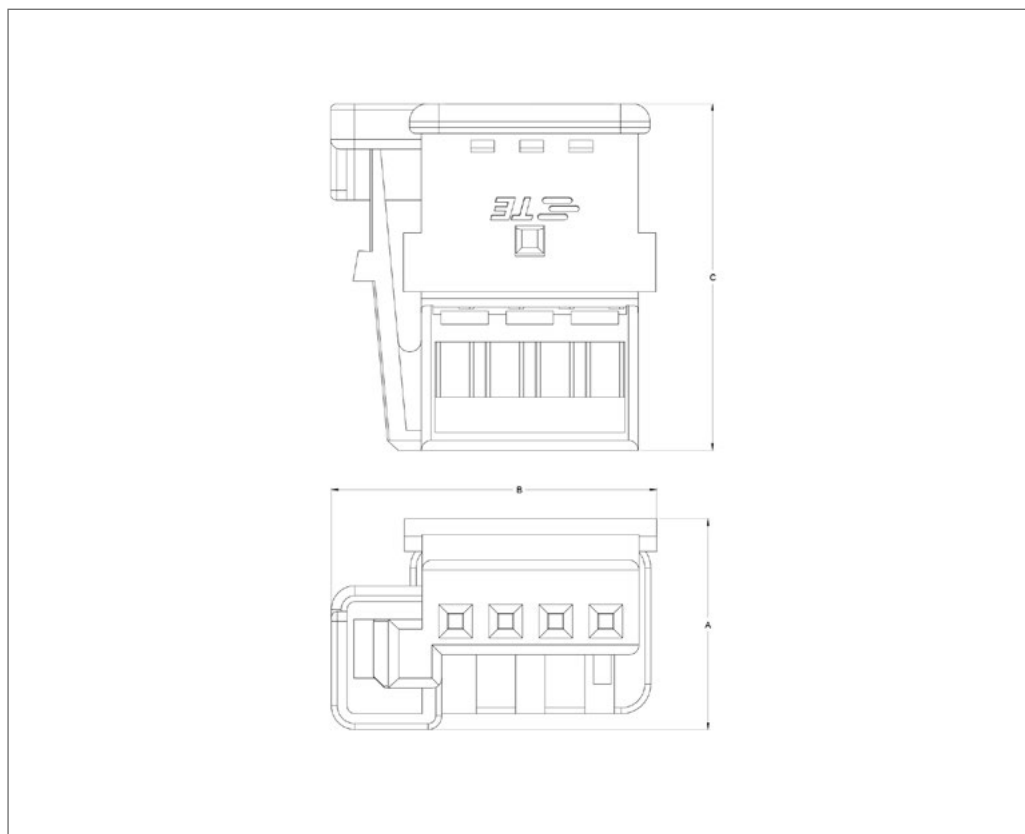
Technical Features

- No. of Positions:**  
3
- Style:**  
Tab Housing
- Contact System:**  
MQS
- Sealed:**  
Yes
- Application Specification:**  
114-18061
- Product Specification:**  
108-18272-0

Part Number	Keying Option	Color	Dimensions			Cover & Lever	Retainer	Mating Parts	
			Height (A)	Length (B)	Width (C)			Connector	Header
<a href="#">1-967167-6</a>	A	Black	17.05	17.4	40.1	-	-	967642, 1379729,	-
<a href="#">2-967167-6</a>	B	Gray	17.05	17.4	40.1	-	-	1376235, 1418603	-



## 4pos MGS Receptacle Housing



## Technical Features

No. of Positions:

4

Style:

Receptacle Housing

Contact System:

MQS

Sealed:

No

Application Specification:

411-15635

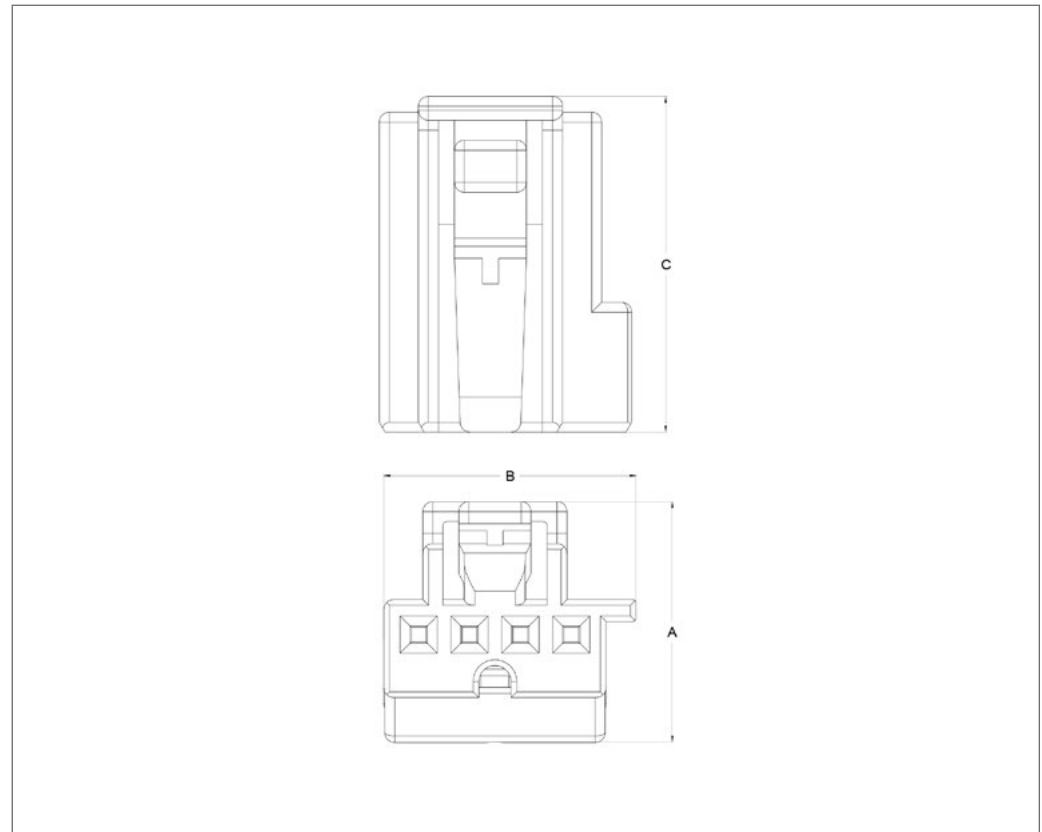
Product Specification:

108-15236

Part Number	Keying Option	Color	Dimensions			Cover & Lever	Retainer	Mating Parts	
			Height (A)	Length (B)	Width (C)			Connector	Header
<a href="#">1379029-1</a>	A	Black	10.7	16.5	17.6	-	-	-	
<a href="#">1379029-2</a>	B	White	10.7	16.5	17.6	-	-	-	
<a href="#">1379029-3</a>	C	Blue	10.7	16.5	17.6	-	-	-	
<a href="#">1379029-4</a>	D	Yellow	10.7	16.5	17.59	-	-	-	1379165
<a href="#">1379029-5</a>	E	Gray	10.7	16.5	17.59	-	-	-	
<a href="#">1379029-6</a>	F	Brown	10.7	16.5	17.6	-	-	-	



### 4pos MQS Receptacle Housing



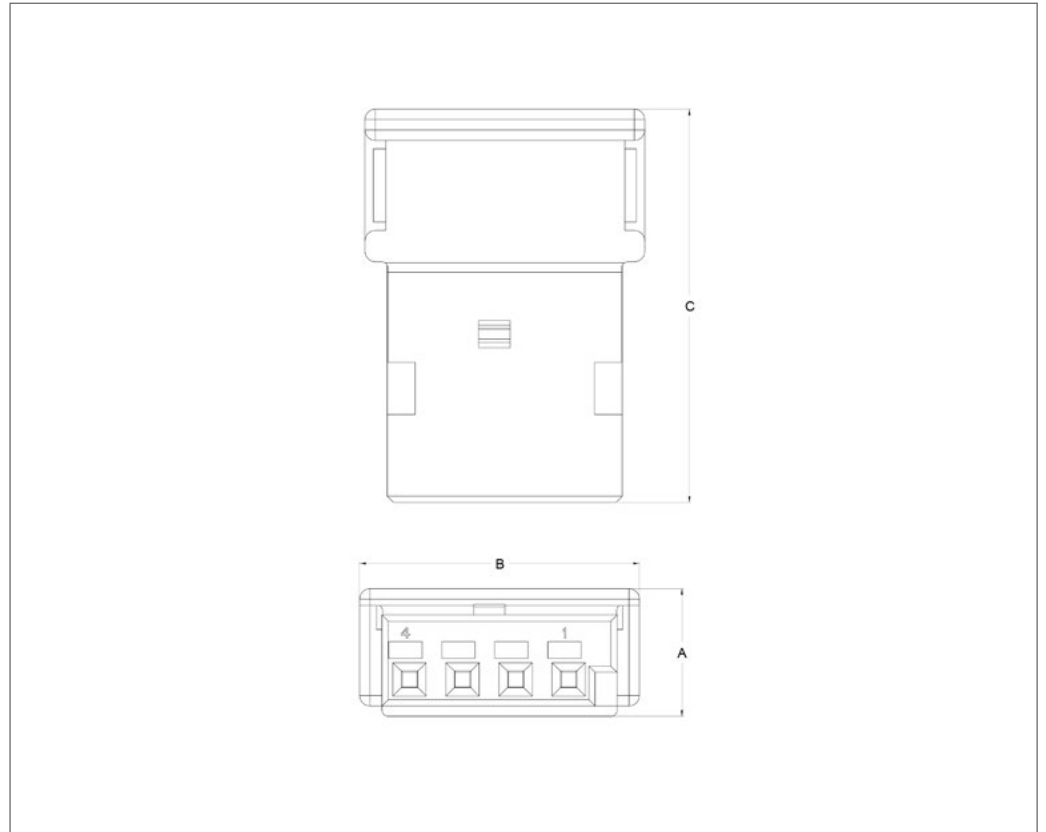
#### Technical Features

- No. of Positions:**  
4
- Style:**  
Receptacle Housing
- Contact System:**  
MQS
- Sealed:**  
No
- Application Specification:**  
-
- Product Specification:**  
108-18620-1

Part Number	Keying Option	Color	Dimensions			Cover & Lever	Retainer	Mating Parts	
			Height (A)	Length (B)	Width (C)			Connector	Header
<a href="#">1-929170-4</a>	A	Black	12.02	12.6	16.8	-	-	-	-
<a href="#">2-929170-4</a>	B	Nature	12.05	12.6	16.8	-	-	2112850	-
<a href="#">3-929170-4</a>	C	Blue	12.05	12.6	16.8	-	-	-	-



### 4pos MGS Receptacle Housing



#### Technical Features

**No. of Positions:**

4

**Style:**

Receptacle Housing

**Contact System:**

MQS

**Sealed:**

No

**Application Specification:**

114-18063-18

**Product Specification:**

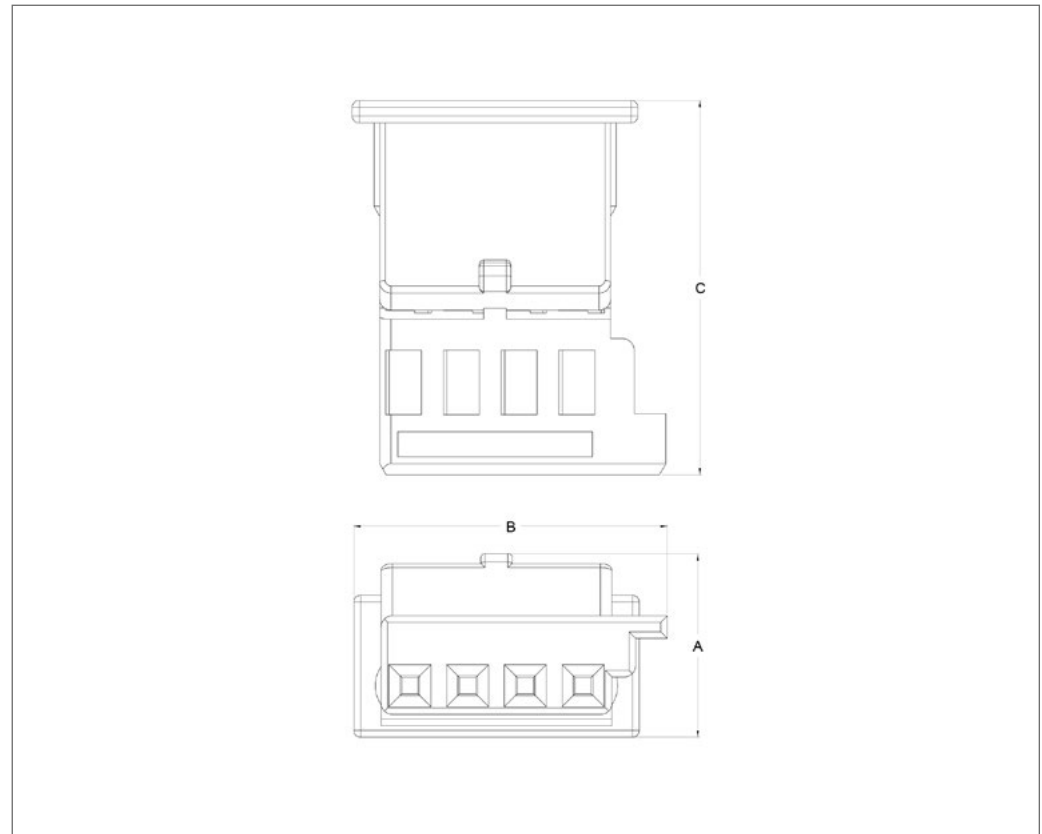
-

Part Number	Keying Option	Color	Dimensions			Cover & Lever	Retainer	Mating Parts	
			Height (A)	Length (B)	Width (C)			Connector	Header
<a href="#">1241634-2</a>	B	Black	6.25	13.4	18.8	-	-	-	
<a href="#">1241634-3</a>	C	Black	6.25	13.4	18.8	-	-	-	1355897
<a href="#">1241634-1</a>	Z	Black	6.1	13.4	18.8	-	-	-	





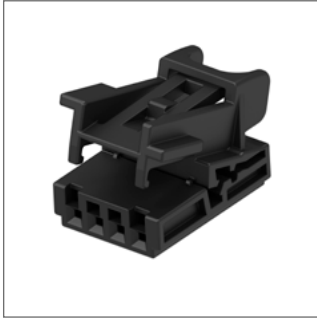
### 4pos MQS Receptacle Housing



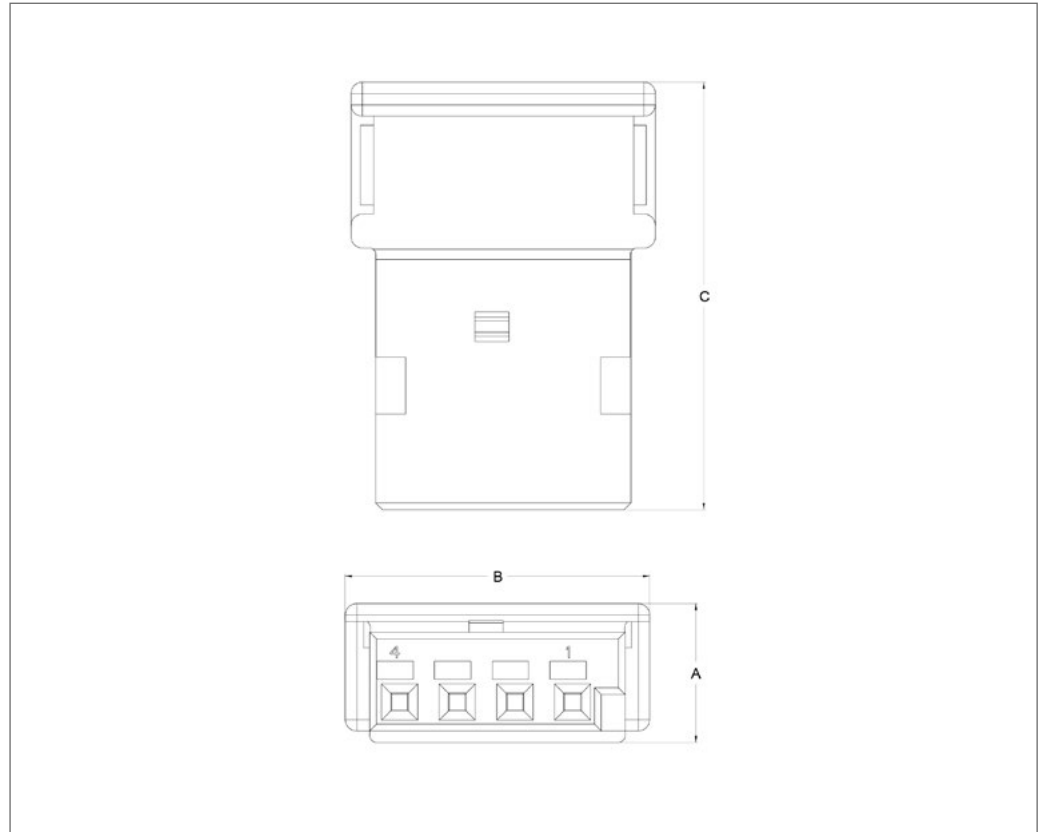
#### Technical Features

- No. of Positions:**  
4
- Style:**  
Receptacle Housing
- Contact System:**  
MQS
- Sealed:**  
No
- Application Specification:**  
-
- Product Specification:**  
-

Part Number	Keying Option	Color	Dimensions			Cover & Lever	Retainer	Mating Parts	
			Height (A)	Length (B)	Width (C)			Connector	Header
<a href="#">1-1355397-3</a>	A	Black	8.07	13.8	16.5	-	-		-
<a href="#">2-1355397-3</a>	B	Nature	8.09	12.56	16.5	-	-	968696	-
<a href="#">3-1355397-3</a>	C	Blue	8.07	12.56	16.5	-	-		-
<a href="#">5-1355397-3</a>	E	Green	8.09	12.56	16.5	-	-		-



### 4pos MGS Receptacle Housing



#### Technical Features

**No. of Positions:**

4

**Style:**

Receptacle Housing

**Contact System:**

MQS

**Sealed:**

No

**Application Specification:**

114-18630

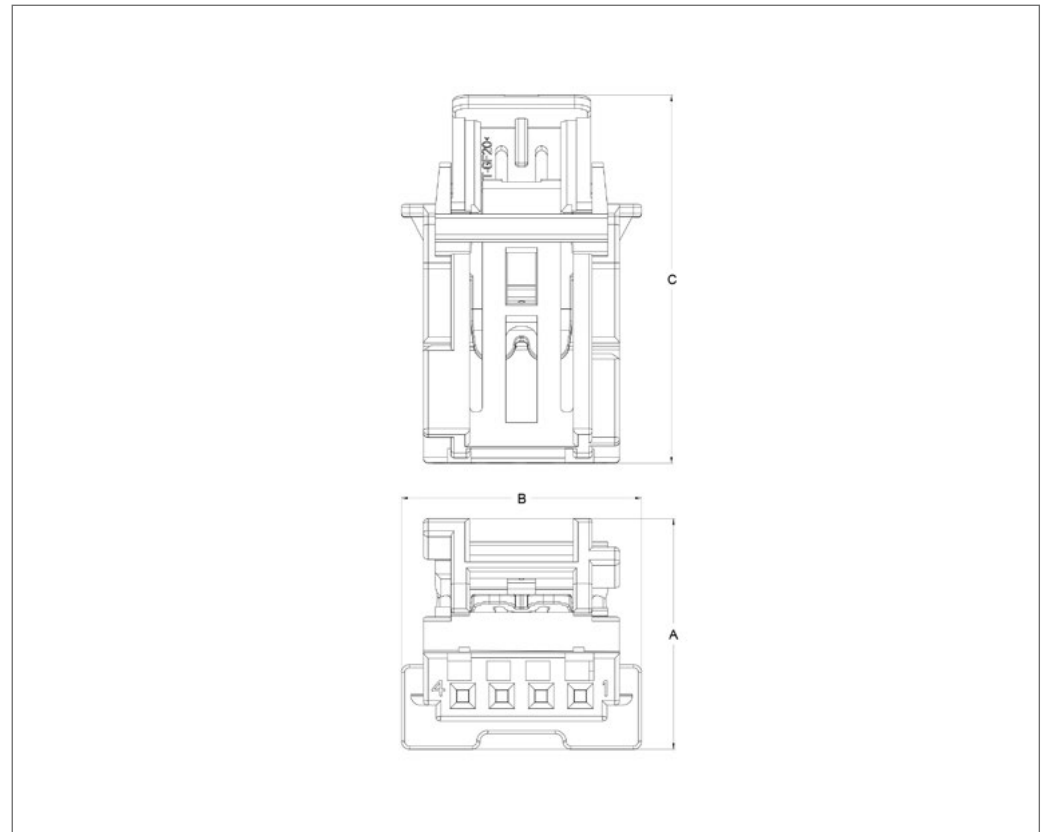
**Product Specification:**

108-18924

Part Number	Keying Option	Color	Dimensions			Cover & Lever	Retainer	Mating Parts	
			Height (A)	Length (B)	Width (C)			Connector	Header
<a href="#">1-1670988-1</a>	A	Black	12.9	12.5	19.33	-	-	-	-
<a href="#">1-1670988-2</a>	B	Brown	12.91	12.5	19.33	-	-	1670989	-
<a href="#">1-1670988-3</a>	C	Red	12.91	12.5	19.33	-	-	-	-



4pos MQS Receptacle Housing



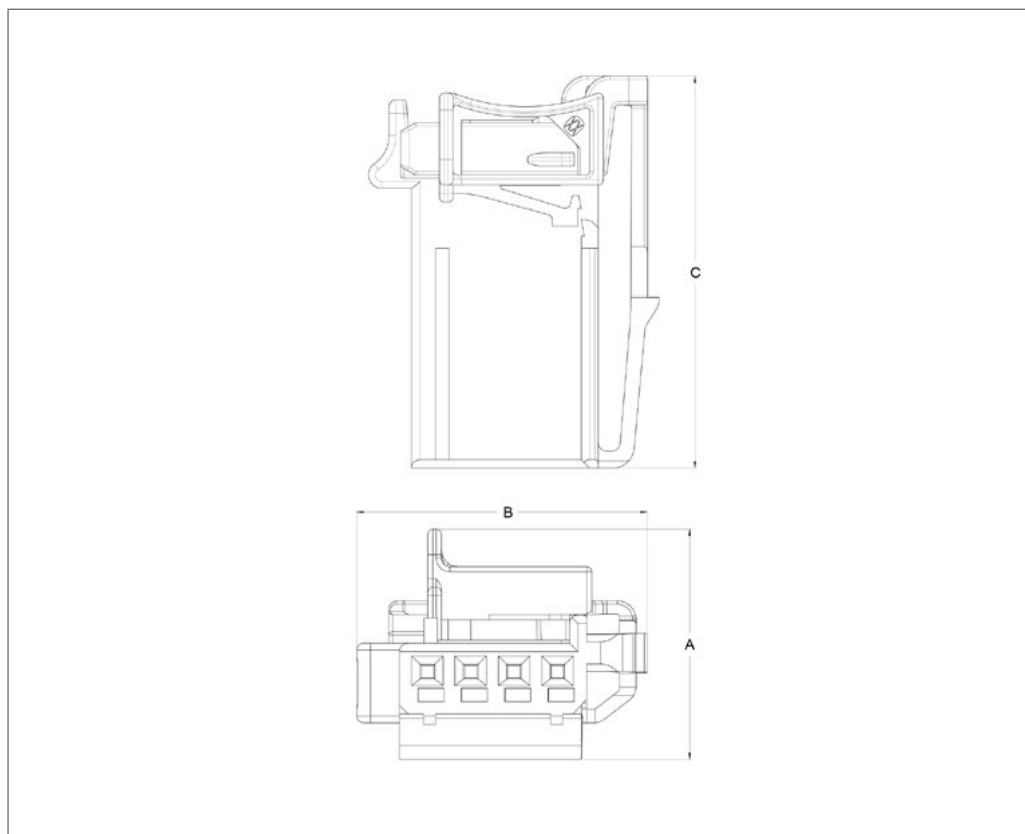
Technical Features

- No. of Positions:**  
4
- Style:**  
Receptacle Housing
- Contact System:**  
MQS
- Sealed:**  
No
- Application Specification:**  
114-94435
- Product Specification:**  
108-37110

Part Number	Keying Option	Color	Dimensions			Cover & Lever	Retainer	Mating Parts	
			Height (A)	Length (B)	Width (C)			Connector	Header
<a href="#">2294218-1</a>	A	Black	14.7	15.3	23.48	-	-	1670989	-



## 4pos MQS Receptacle Housing



## Technical Features

No. of Positions:

4

Style:

Receptacle Housing

Contact System:

MQS

Sealed:

No

Application Specification:

114-94259

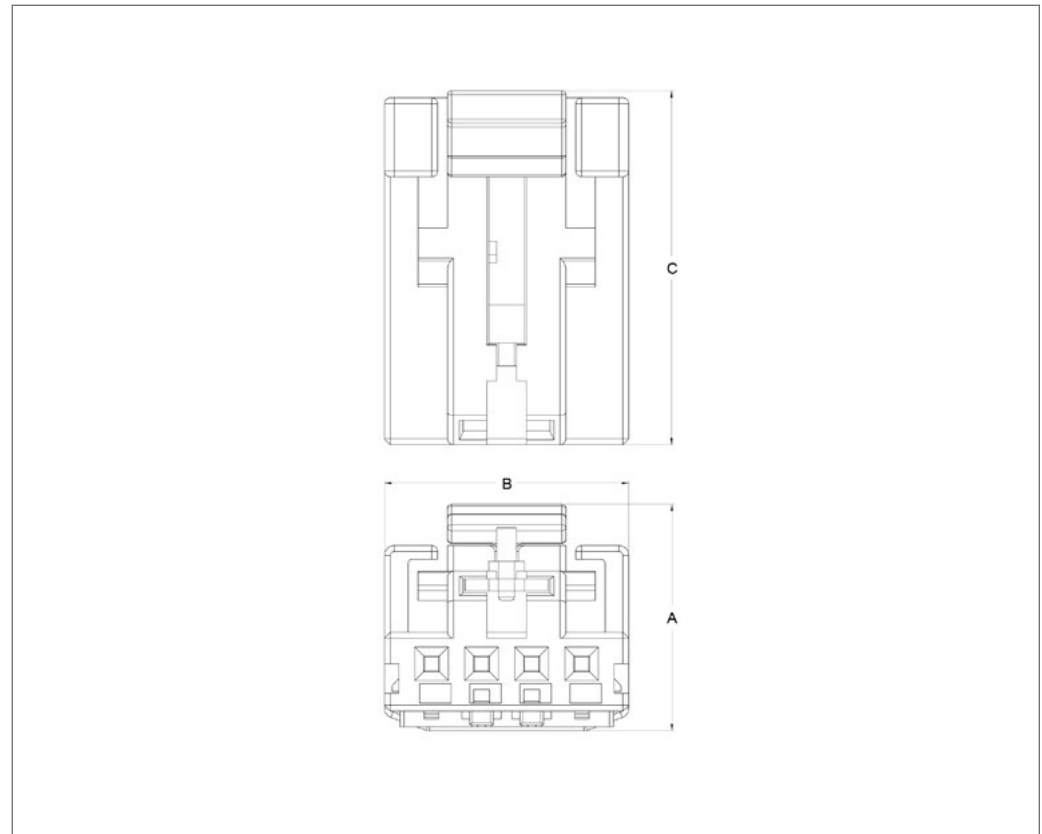
Product Specification:

108-37111

Part Number	Keying Option	Color	Dimensions			Cover & Lever	Retainer	Mating Parts	
			Height (A)	Length (B)	Width (C)			Connector	Header
<a href="#">2294399-1</a>	A	Black	13.49	17	23	-	-	-	
<a href="#">2294399-2</a>	B	White	13.49	17	23	-	-	-	
<a href="#">2294399-3</a>	C	Blue	13.49	17	23	-	-	-	1379165
<a href="#">2294399-4</a>	D	Green	13.49	17	23	-	-	-	
<a href="#">2294399-5</a>	E	Gray	13.49	17	23	-	-	-	
<a href="#">2294399-6</a>	F	Brown	13.49	17	23	-	-	-	



### 4pos MQS Receptacle Housing



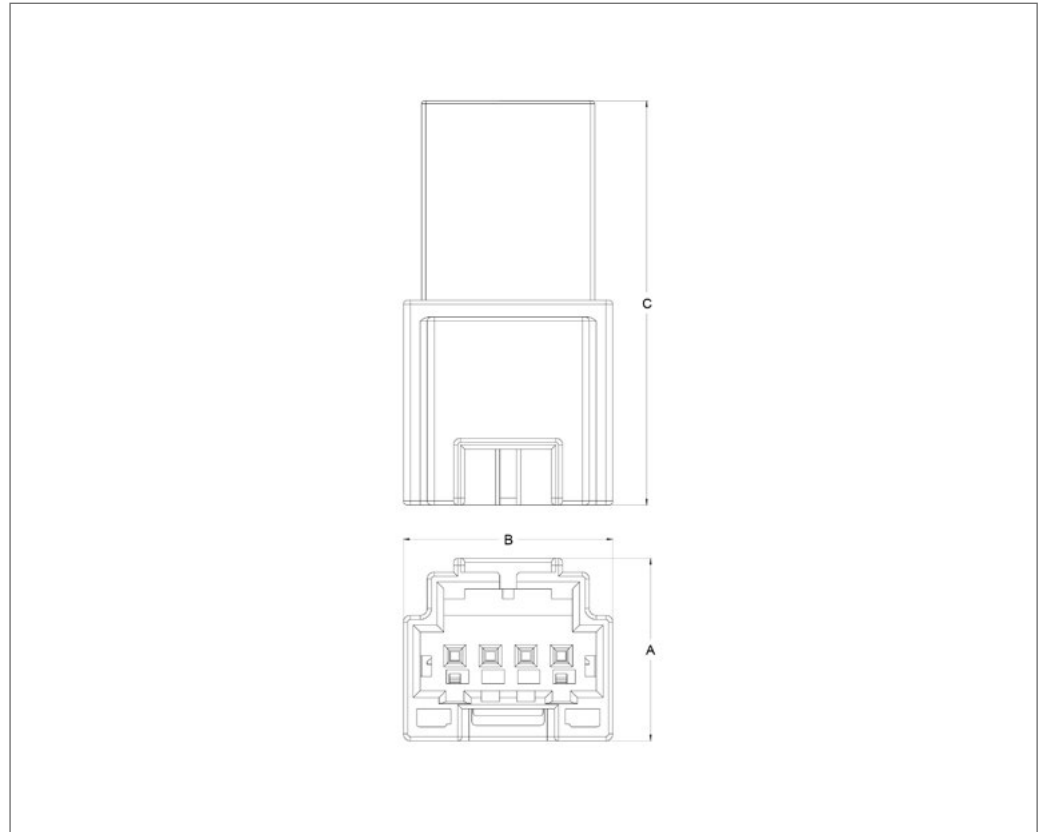
#### Technical Features

- No. of Positions:**  
4
- Style:**  
Receptacle Housing
- Contact System:**  
MQS
- Sealed:**  
No
- Application Specification:**  
-
- Product Specification:**  
-

Part Number	Keying Option	Color	Dimensions			Cover & Lever	Retainer	Mating Parts	
			Height (A)	Length (B)	Width (C)			Connector	Header
<a href="#">936119-1</a>	A	Black	9.4	12.4	17.6	-	-		
<a href="#">1-936119-1</a>	A	Black	11.5	12.4	17.95	-	-	936121	1743218
<a href="#">1-936119-2</a>	A	Yellow	11.5	12.4	17.95	-	-		



### 4pos MGS Tab Housing



#### Technical Features

No. of Positions:

4

Style:

Receptacle Housing

Contact System:

MQS

Sealed:

No

Application Specification:

-

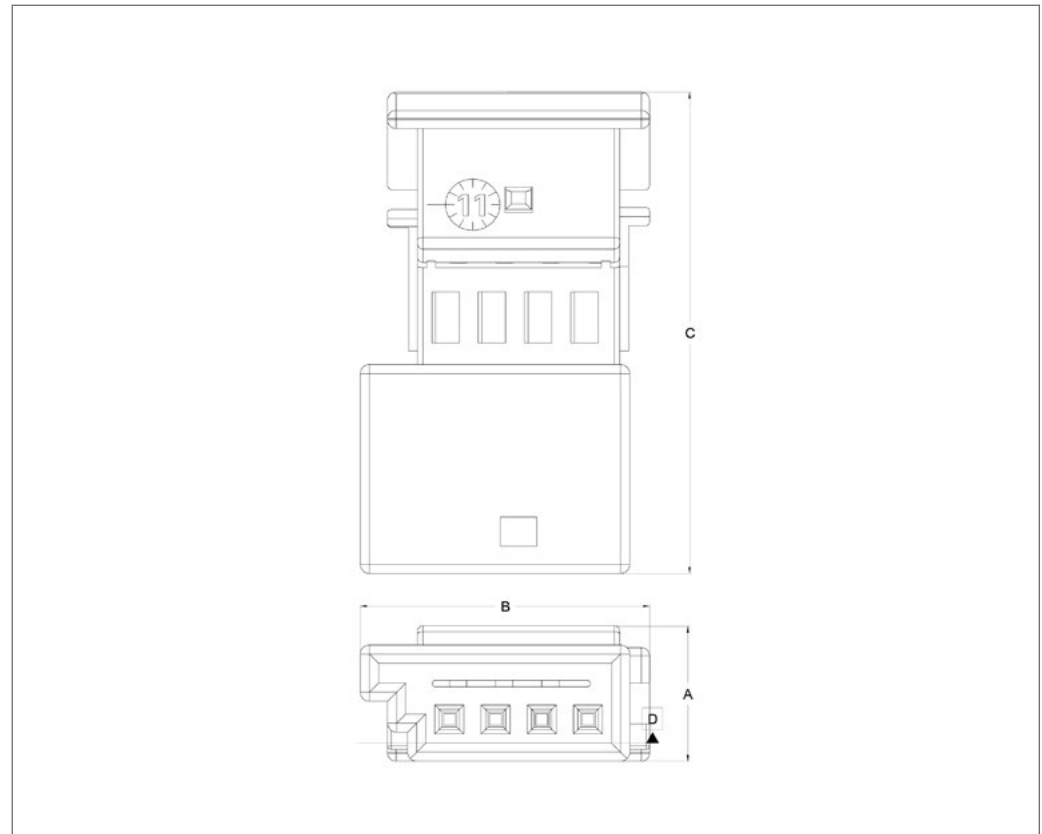
Product Specification:

-

Part Number	Keying Option	Color	Dimensions			Cover & Lever	Retainer	Mating Parts	
			Height (A)	Length (B)	Width (C)			Connector	Header
<a href="#">936121-1</a>	A	Black	13.1	15	29	-	-	-	
<a href="#">936121-2</a>	A	Yellow	13.1	15	29	-	-	-	936119



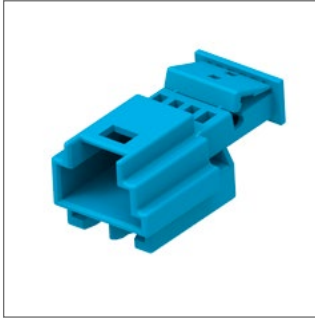
4pos MQS Tab Housing



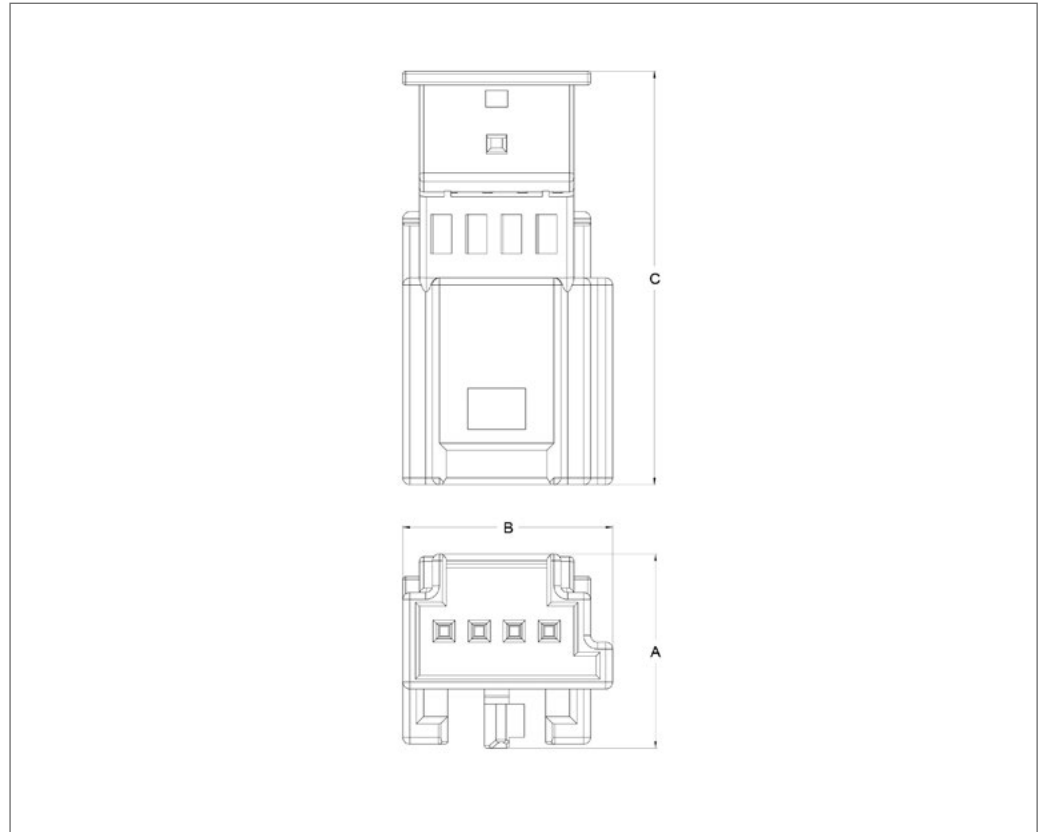
Technical Features

- No. of Positions:  
4
- Style:  
Tab Housing
- Contact System:  
MQS
- Sealed:  
No
- Application Specification:  
-
- Product Specification:  
-

Part Number	Keying Option	Color	Dimensions			Cover & Lever	Retainer	Mating Parts	
			Height (A)	Length (B)	Width (C)			Connector	Header
<a href="#">1-968696-3</a>	A	Black	7.43	15.9	26.5	-	-		-
<a href="#">2-968696-3</a>	B	Nature	7.9	14.4	26.5	-	-		-
<a href="#">3-968696-2</a>	C	Blue	7.9	14.4	26.5	-	-	1355397	-
<a href="#">4-968696-3</a>	D	Violet	7.43	14.8	26.5	-	-		-
<a href="#">5-968696-3</a>	E	Green	7.9	14.4	26.5	-	-		-



## 4pos MGS Tab Housing



### Technical Features

**No. of Positions:**

4

**Style:**

Tab Housing

**Contact System:**

MQS

**Sealed:**

No

**Application Specification:**

-

**Product Specification:**

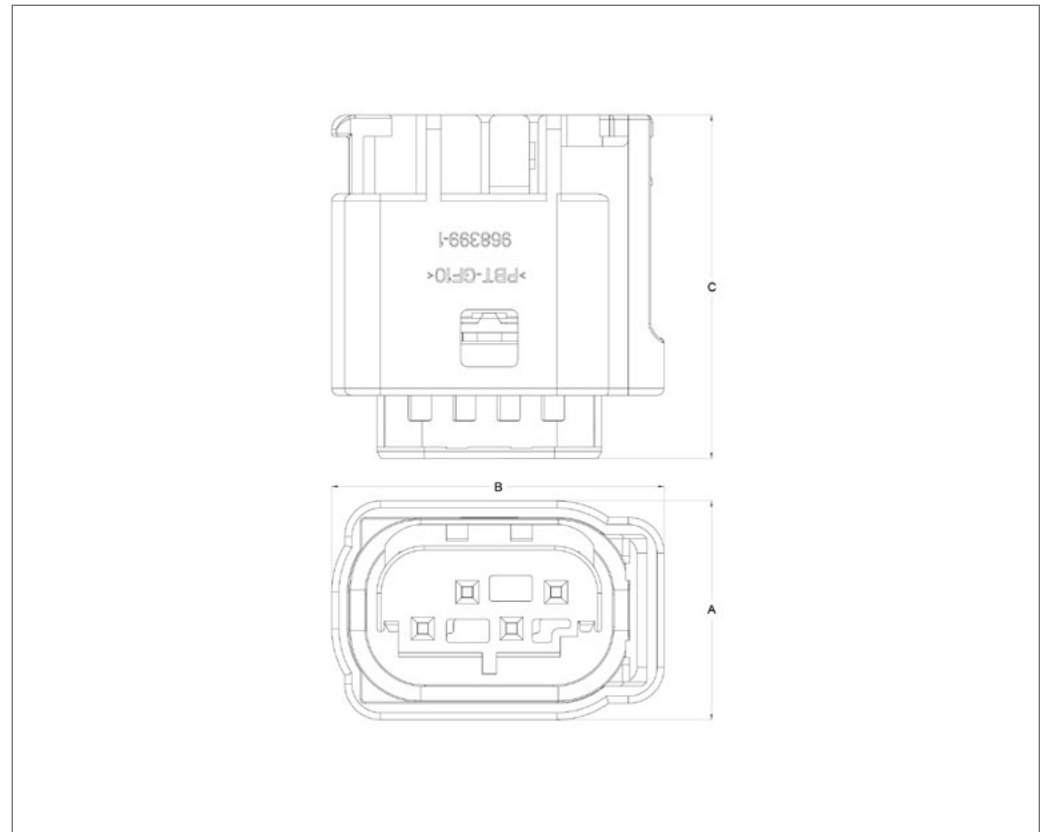
-

Part Number	Keying Option	Color	Dimensions			Cover & Lever	Retainer	Mating Parts	
			Height (A)	Length (B)	Width (C)			Connector	Header
<a href="#">3-2112850-5</a>	C	Blue	14.1	15.2	30	-	-	929170	-





4pos MQS Receptacle Housing Sealed



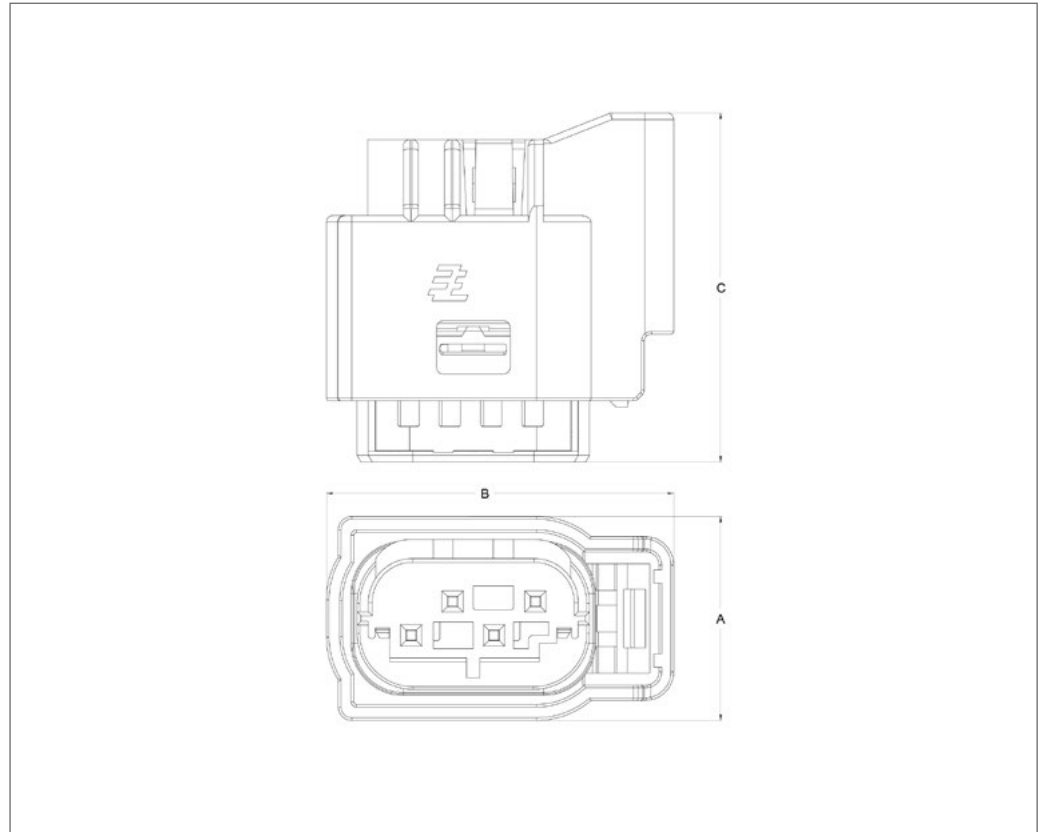
Technical Features

- No. of Positions:  
4
- Style:  
Receptacle Housing
- Contact System:  
MQS
- Sealed:  
Yes
- Application Specification:  
114-18061
- Product Specification:  
108-18272-0

Part Number	Keying Option	Color	Dimensions			Cover & Lever	Retainer	Mating Parts	
			Height (A)	Length (B)	Width (C)			Connector	Header
<a href="#">1-967640-1</a>	A	Black	15.3	23.2	24	-	-		
<a href="#">2-967640-1</a>	B	Gray	15.3	23.2	24	-	-	967584	967657
<a href="#">3-967640-1</a>	C	Blue	15.3	23.2	24	-	-		



## 4pos MGS Receptacle Housing Sealed



## Technical Features

No. of Positions:

4

Style:

Receptacle Housing

Contact System:

MQS

Sealed:

Yes

Application Specification:

-

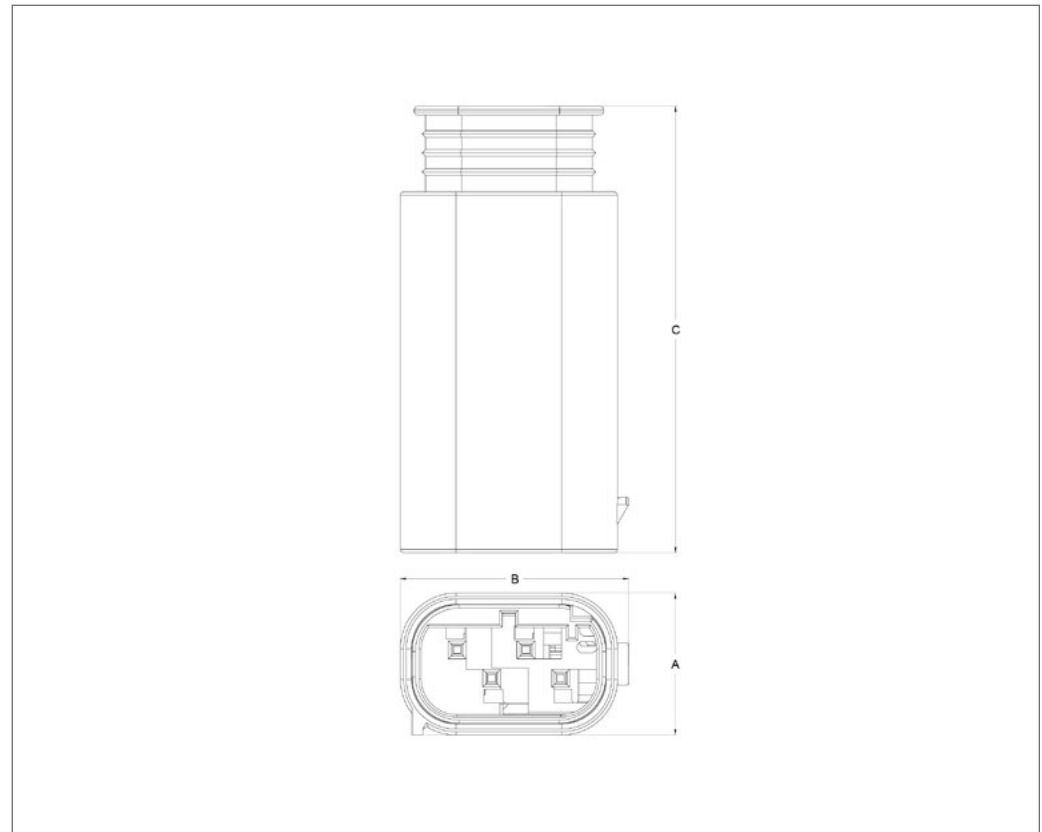
Product Specification:

108-15286

Part Number	Keying Option	Color	Dimensions			Cover & Lever	Retainer	Mating Parts	
			Height (A)	Length (B)	Width (C)			Connector	Header
<a href="#">1379799-1</a>	A	Black	15.3	26	26.2	-	-	967584	967657



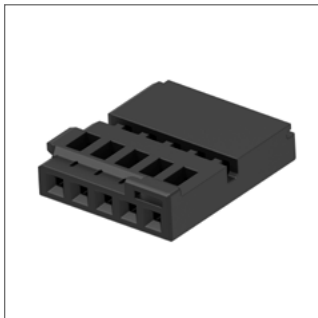
4pos MQS Tab Housing Sealed



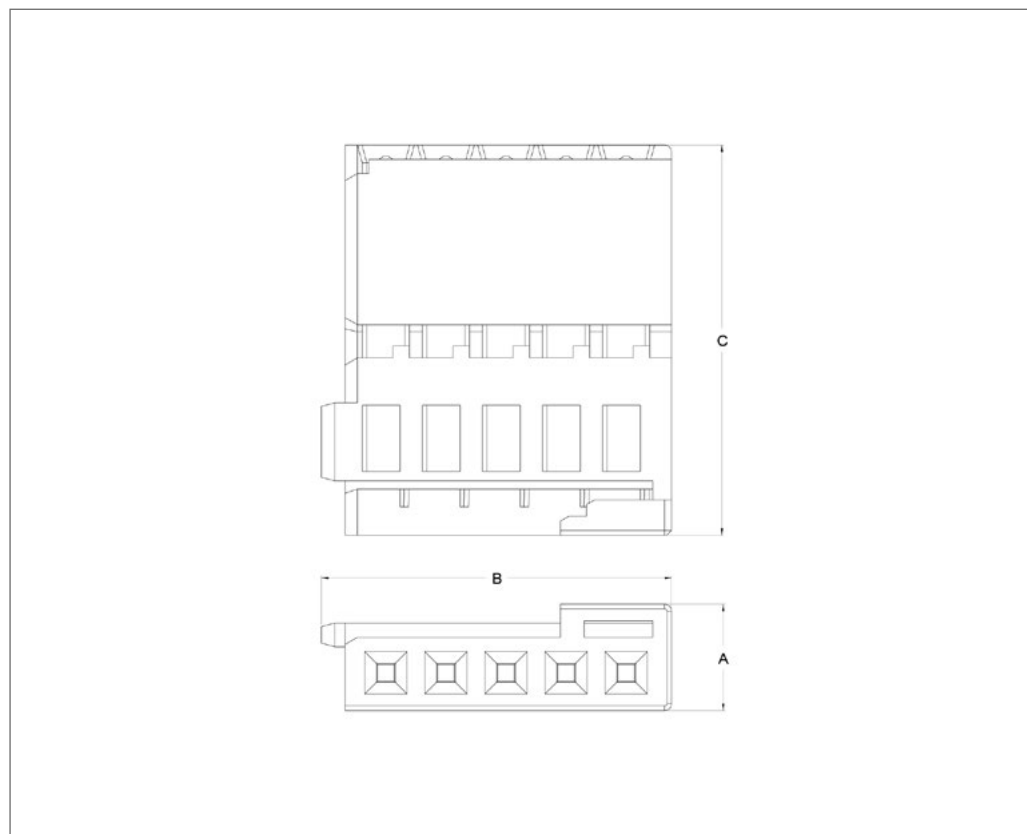
Technical Features

- No. of Positions:**  
4
- Style:**  
Tab Housing
- Contact System:**  
MQS
- Sealed:**  
Yes
- Application Specification:**  
114-18061
- Product Specification:**  
108-18569-0

Part Number	Keying Option	Color	Dimensions			Cover & Lever	Retainer	Mating Parts	
			Height (A)	Length (B)	Width (C)			Connector	Header
<a href="#">1-967584-1</a>	A	Black	12.75	20.5	40.1	-	-	967640, 1379799, 1534191	-
<a href="#">1-967584-3</a>	A	Black	17.05	20.5	40.1	-	-		-



### 5pos MQS Receptacle Housing



#### Technical Features

**No. of Positions:**

5

**Style:**

Receptacle Housing

**Contact System:**

MQS

**Sealed:**

No

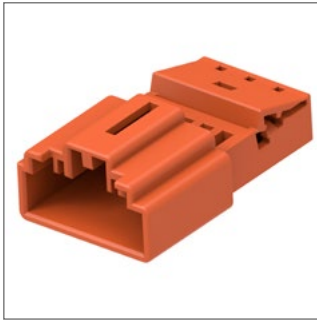
**Application Specification:**

114-18630

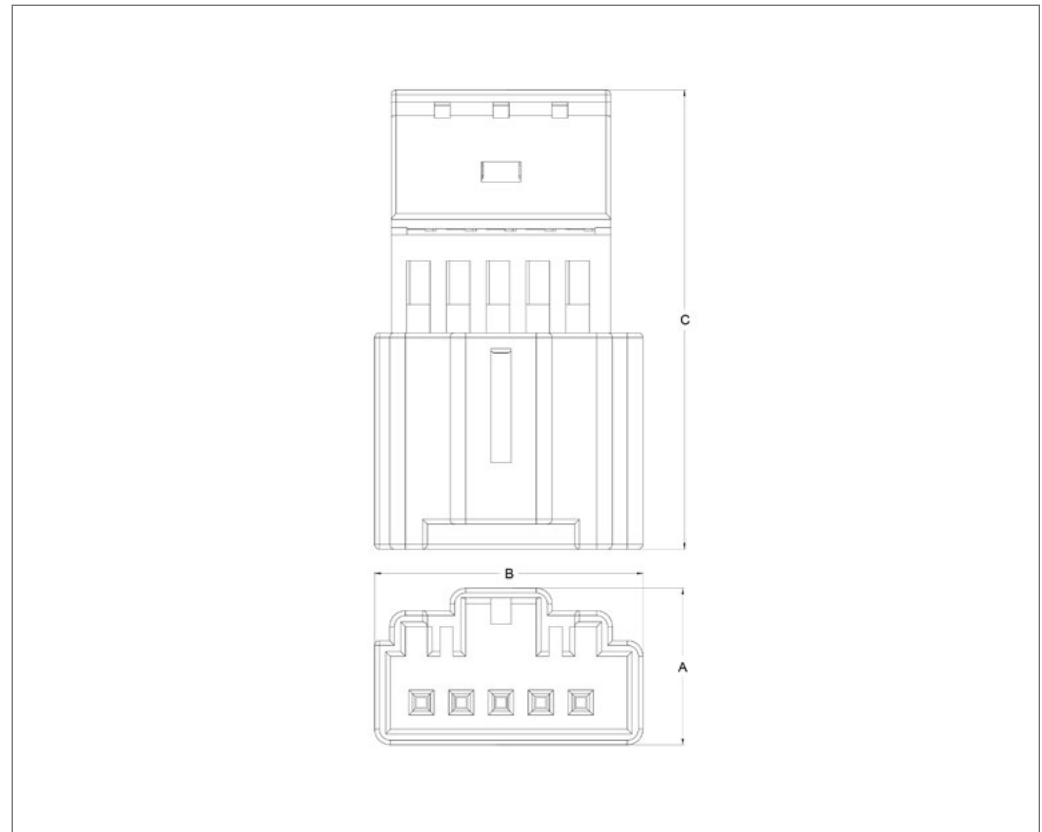
**Product Specification:**

108-18924

Part Number	Keying Option	Color	Dimensions			Cover & Lever	Retainer	Mating Parts	
			Height (A)	Length (B)	Width (C)			Connector	Header
<a href="#">1-1418775-1</a>	A	Black	4.5	14.8	16.5	-	1418776	1418778	-



5pos MQS Tab Housing



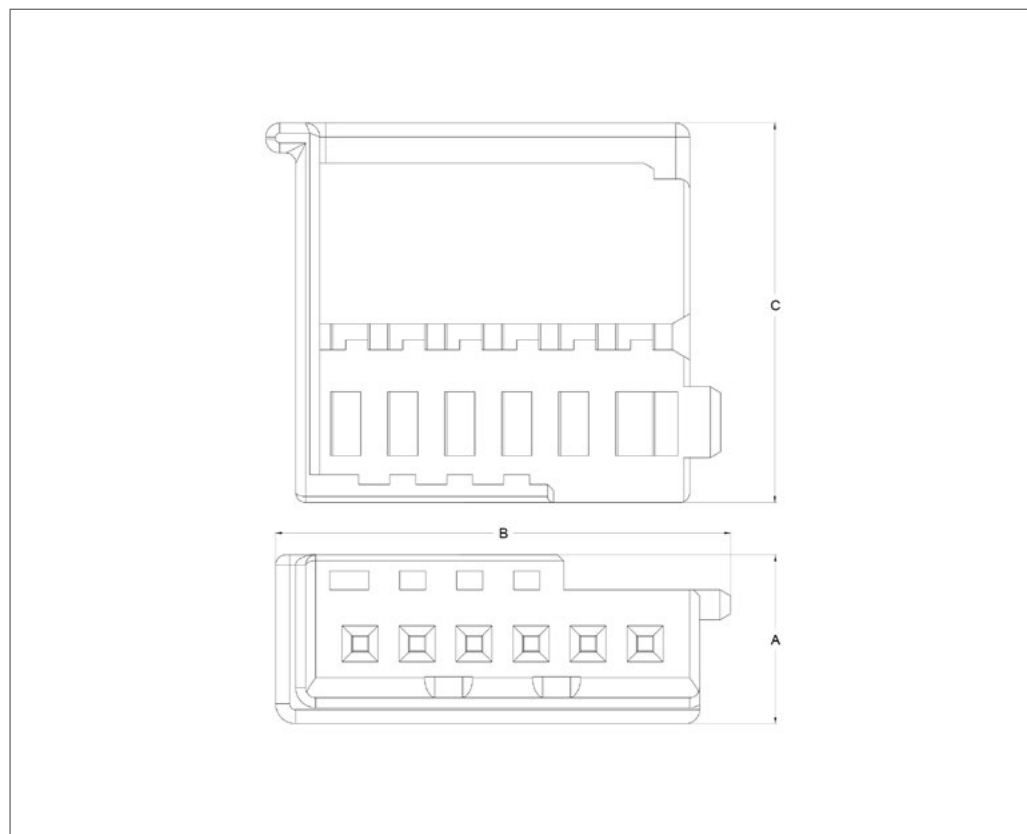
Technical Features

- No. of Positions:  
5
- Style:  
Tab Housing
- Contact System:  
MQS
- Sealed:  
No
- Application Specification:  
114-18630
- Product Specification:  
108-18924

Part Number	Keying Option	Color	Dimensions			Cover & Lever	Retainer	Mating Parts	
			Height (A)	Length (B)	Width (C)			Connector	Header
<a href="#">1-1418778-1</a>	A	Brown	10	17.1	29.3	-	-	1418775	-



### 6pos MQS Receptacle Housing



#### Technical Features

No. of Positions:

6

Style:

Receptacle Housing

Contact System:

MQS

Sealed:

No

Application Specification:

-

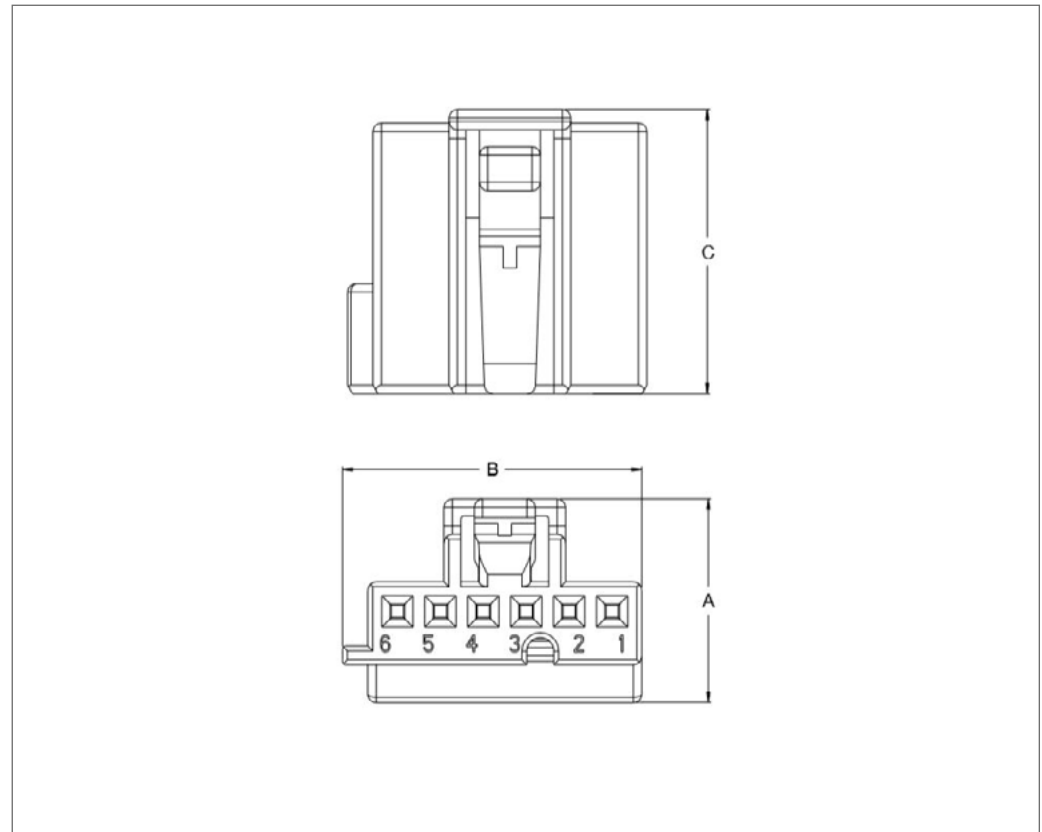
Product Specification:

-

Part Number	Keying Option	Color	Dimensions			Cover & Lever	Retainer	Mating Parts	
			Height (A)	Length (B)	Width (C)			Connector	Header
<a href="#">1-969489-1</a>	A	Black	8.45	22.75	19	-		-	
<a href="#">1-969489-2</a>	A	Brown	8.45	22.75	19	-	1355081	-	1394090
<a href="#">1-969489-3</a>	A	White	8.45	22.75	19	-		-	
<a href="#">1-969489-4</a>	A	Blue	8.45	22.75	19	-		-	



6pos MQS Receptacle Housing



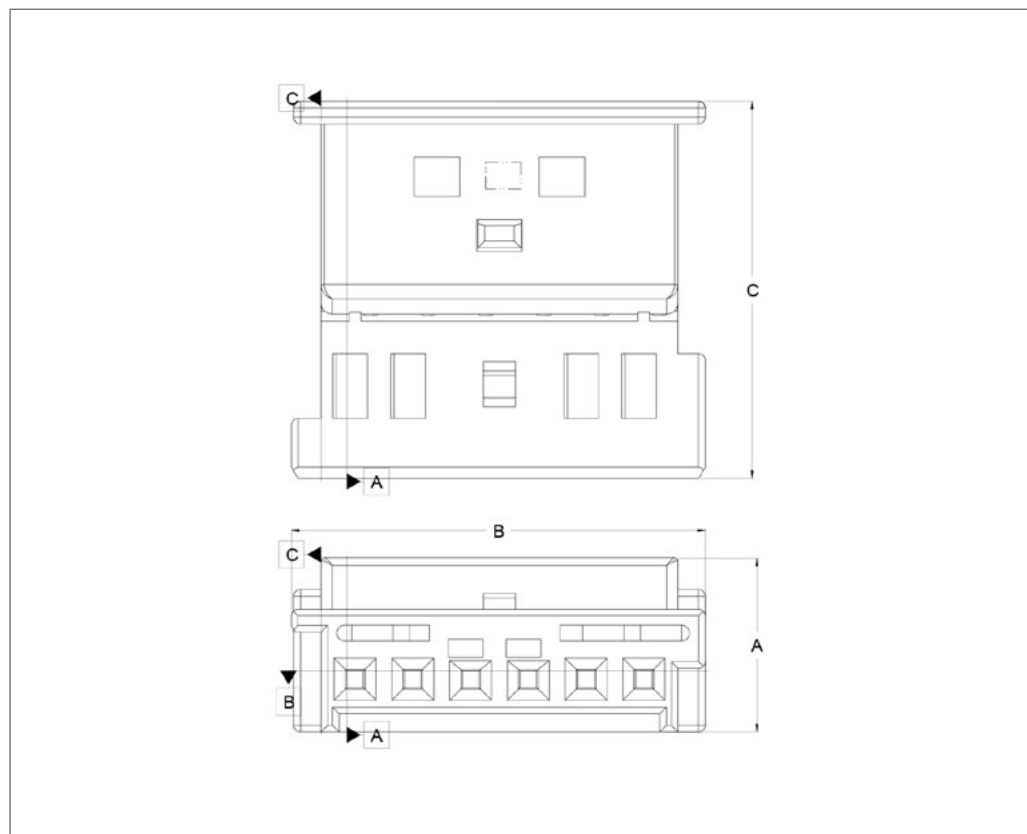
Technical Features

- No. of Positions:  
6
- Style:  
Receptacle Housing
- Contact System:  
MQS
- Sealed:  
No
- Application Specification:  
-
- Product Specification:  
108-18620

Part Number	Keying Option	Color	Dimensions			Cover & Lever	Retainer	Mating Parts	
			Height (A)	Length (B)	Width (C)			Connector	Header
<a href="#">1-969508-2</a>	A	Black	12.5	17.7	16.8	-	-	-	
<a href="#">3-969508-2</a>	C	Blue	12.5	17.7	16.8	-	-	-	1418888



### 6pos MQS Receptacle Housing



#### Technical Features

**No. of Positions:**  
6

**Style:**  
Receptacle Housing

**Contact System:**  
MQS

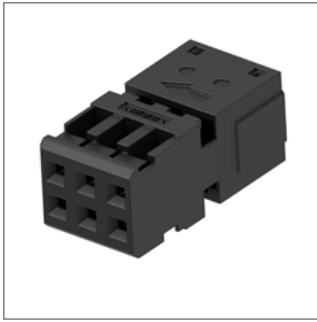
**Sealed:**  
No

**Application Specification:**  
114-18166-1

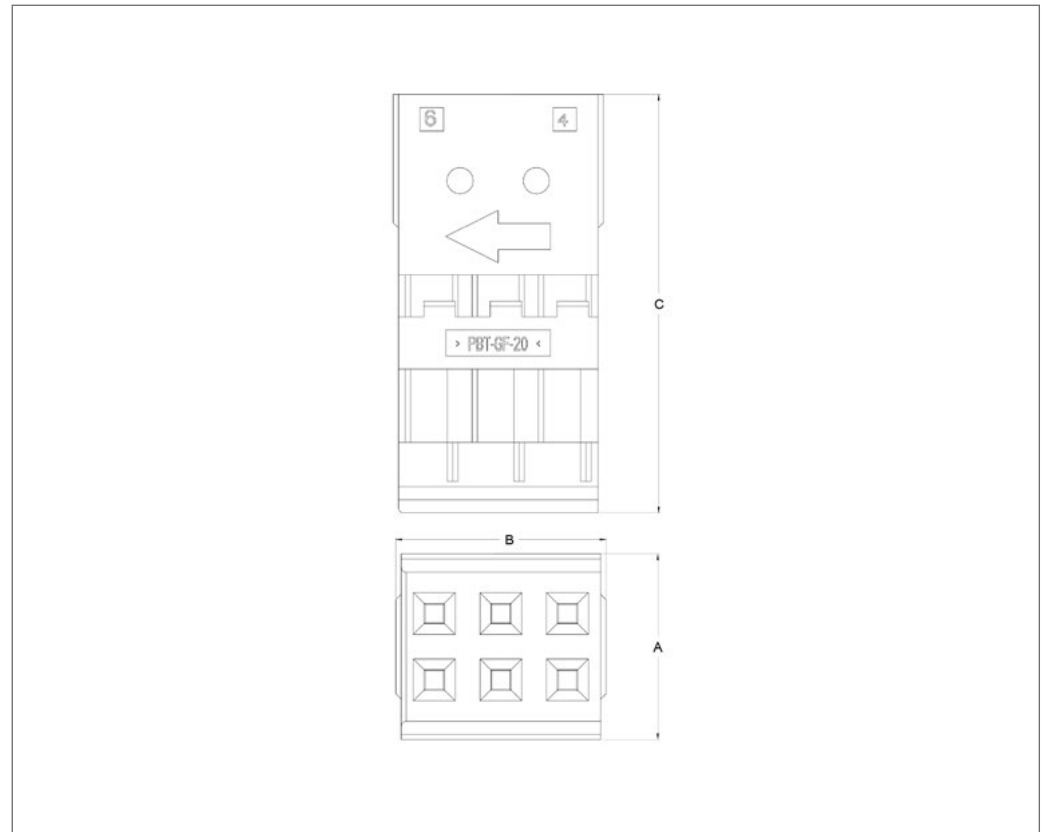
**Product Specification:**  
108-18510-1

Part Number	Keying Option	Color	Dimensions			Cover & Lever	Retainer	Mating Parts	
			Height (A)	Length (B)	Width (C)			Connector	Header
<a href="#">1-1241370-3</a>	A	Black	7.65	18.2	16.6	-	-	-	2317023, 969682
<a href="#">2-1241370-3</a>	B	Nature	7.65	18.1	16.6	-	-	-	





### 6pos MQS Receptacle Housing



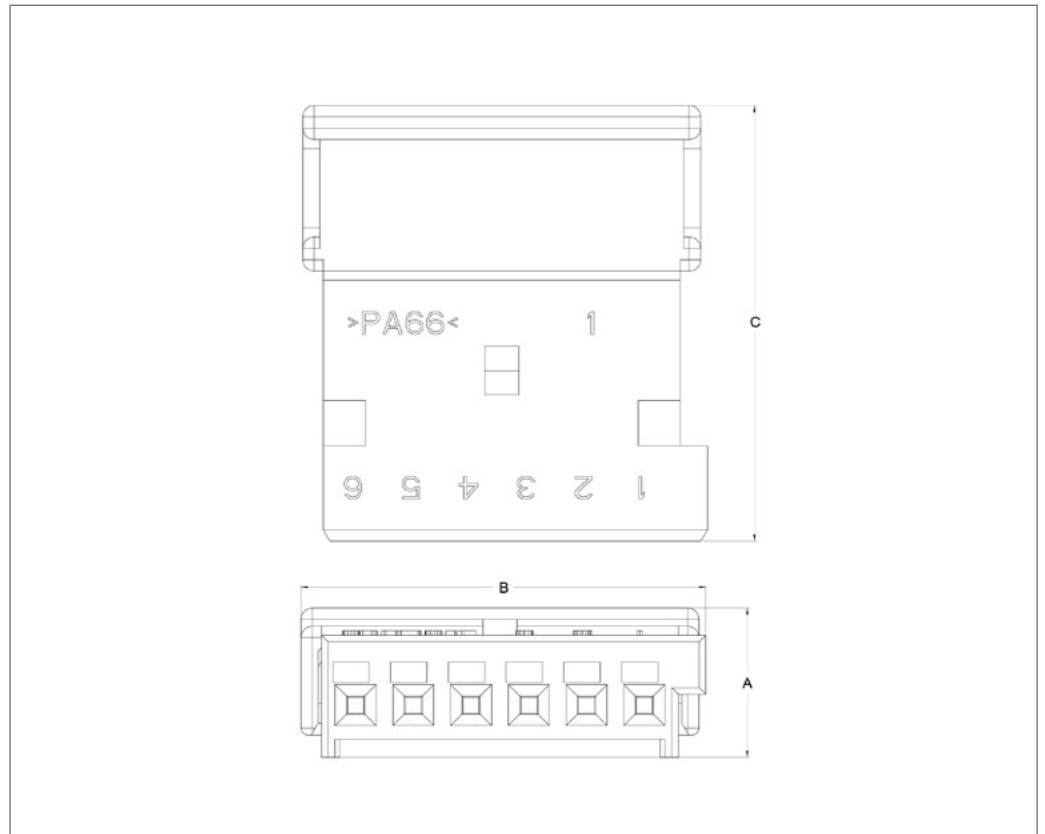
#### Technical Features

- No. of Positions:**  
6
- Style:**  
Receptacle Housing
- Contact System:**  
MQS
- Sealed:**  
No
- Application Specification:**  
411-15567
- Product Specification:**  
108-15142

Part Number	Keying Option	Color	Dimensions			Cover & Lever	Retainer	Mating Parts	
			Height (A)	Length (B)	Width (C)			Connector	Header
<a href="#">185311-1</a>	A	Black	7.1	8.02	16	953382	953381	1379118	1379816, 953363, 953442, 1801688



### 6pos MQS Receptacle Housing



#### Technical Features

No. of Positions:

6

Style:

Receptacle Housing

Contact System:

MQS

Sealed:

No

Application Specification:

-

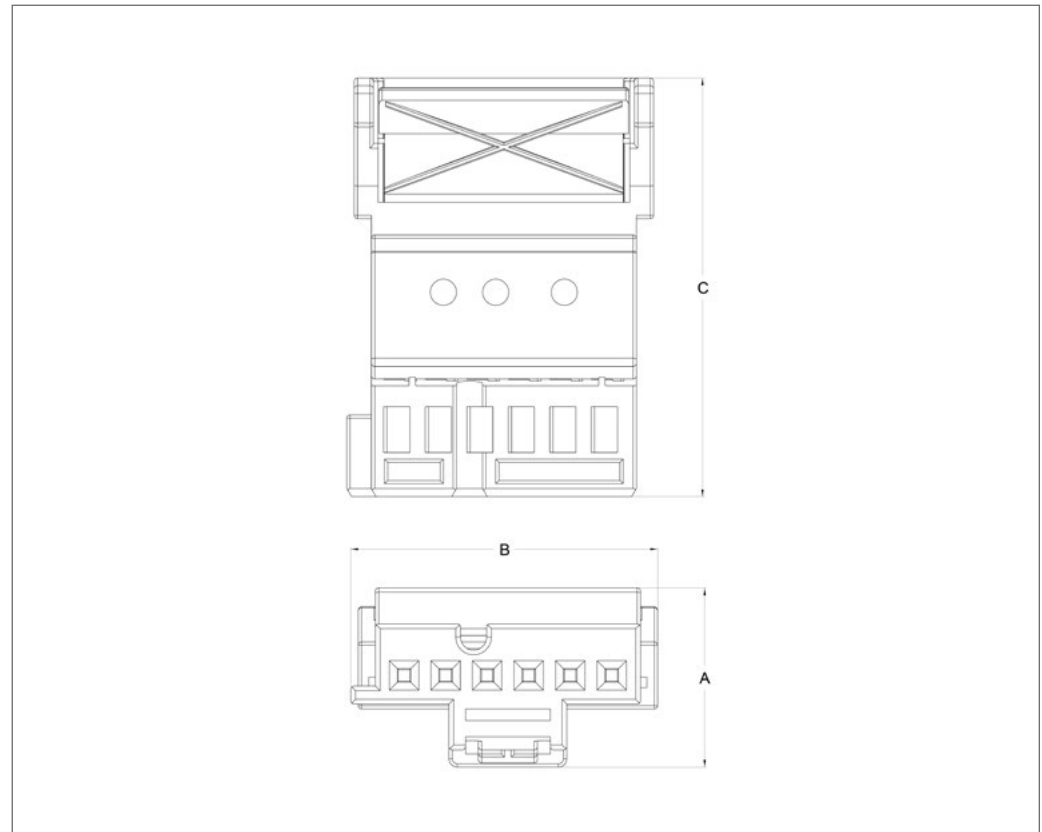
Product Specification:

-

Part Number	Keying Option	Color	Dimensions			Cover & Lever	Retainer	Mating Parts	
			Height (A)	Length (B)	Width (C)			Connector	Header
<a href="#">936289-2</a>	E	Black	5.68	17.8	19.2	-	-	-	936287
<a href="#">936289-5</a>	E	Natural	6.58	17.8	19.2	-	-	-	



6pos MQS Receptacle FFC Housing



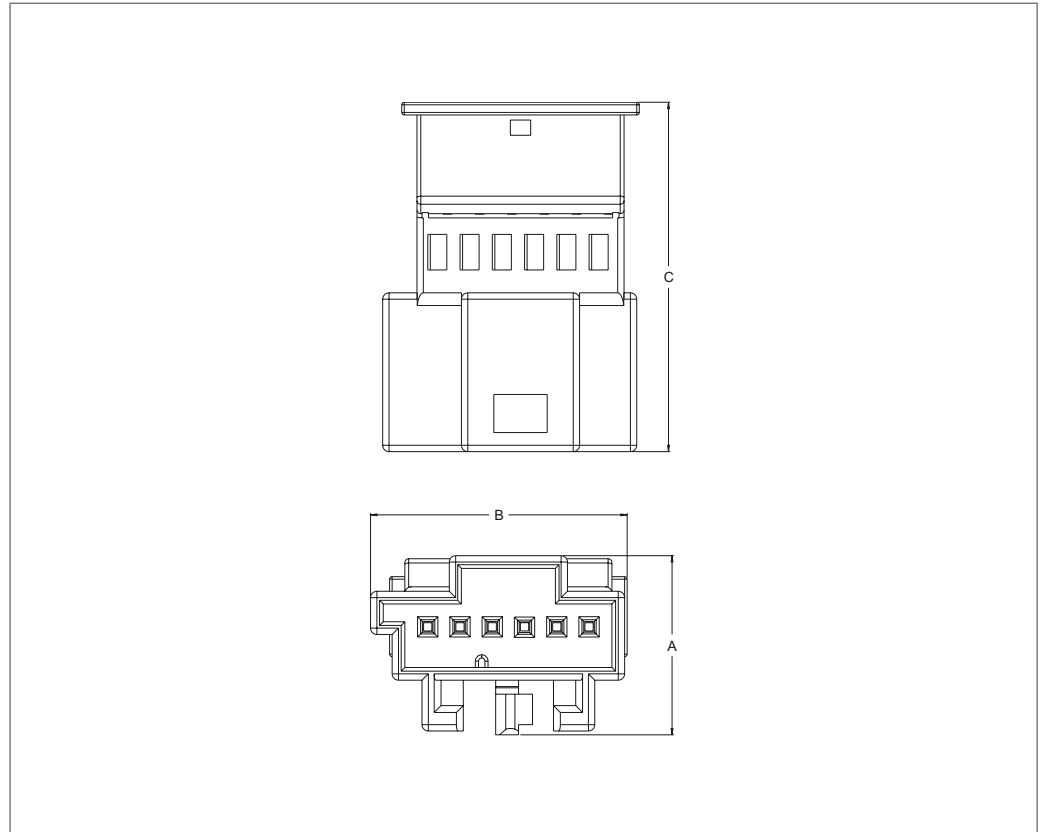
Technical Features

- No. of Positions:**  
6
- Style:**  
Rec Housing FFC
- Contact System:**  
MQS
- Sealed:**  
No
- Application Specification:**  
-
- Product Specification:**  
108-18808-1

Part Number	Keying Option	Color	Dimensions			Cover & Lever	Retainer	Mating Parts	
			Height (A)	Length (B)	Width (C)			Connector	Header
<a href="#">1-1564010-1</a>	A	Black	10.94	18.75	25.6	-	-	1564011	-



6pos MQS Tab FFC Housing



**Technical Features**

**No. of Positions:**  
6

**Style:**  
Tab Housing

**Contact System:**  
MQS

**Sealed:**  
No

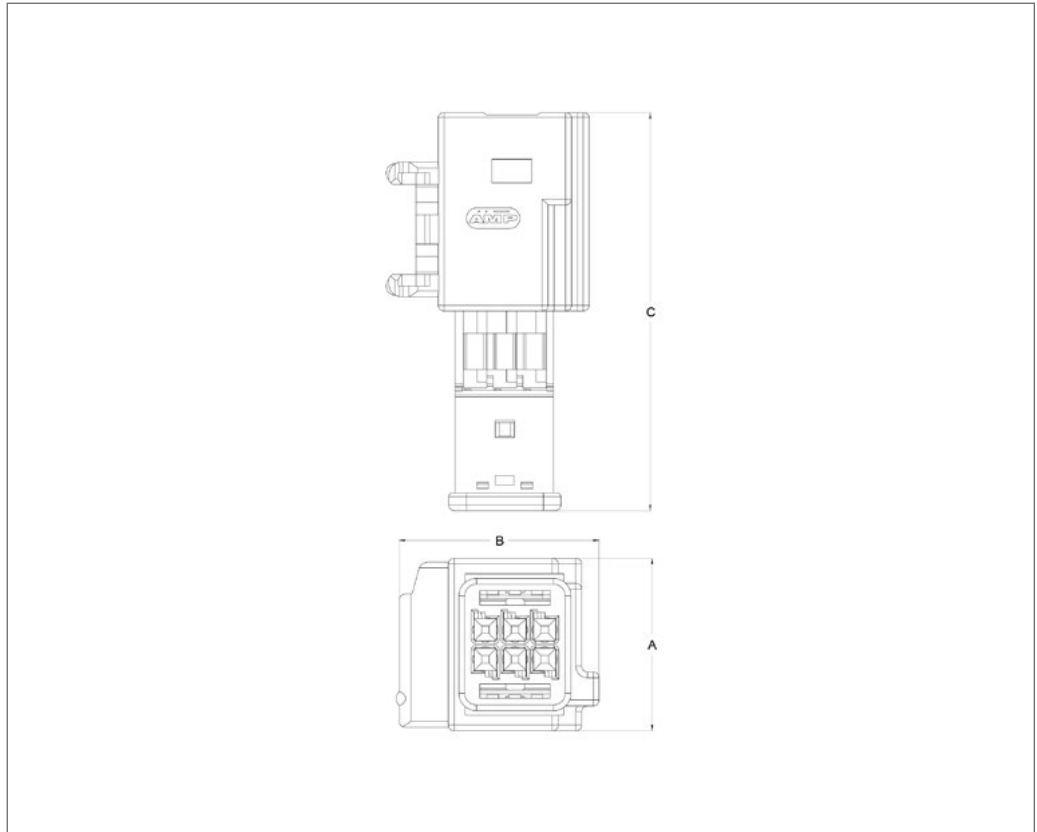
**Application Specification:**  
-

**Product Specification:**  
108-18157

Part Number	Keying Option	Color	Dimensions			Cover & Lever	Retainer	Mating Parts	
			Height (A)	Length (B)	Width (C)			Connector	Header
<a href="#">1-1564011-2</a>	A	Black	14.1	20.2	27.5	-	-	1564010	-



6pos MQS Tab Housing



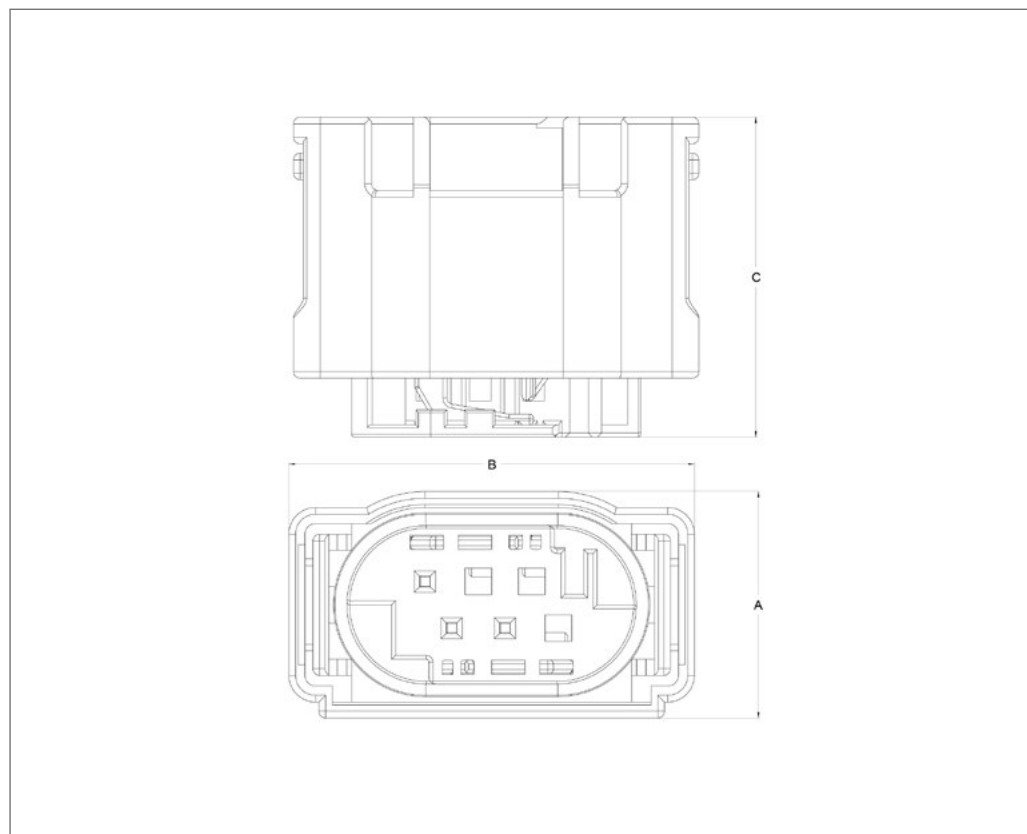
Technical Features

- No. of Positions:  
6
- Style:  
Tab Housing
- Contact System:  
MQS
- Sealed:  
No
- Application Specification:  
411-15636
- Product Specification:  
108-15311

Part Number	Keying Option	Color	Dimensions			Cover & Lever	Retainer	Mating Parts	
			Height (A)	Length (B)	Width (C)			Connector	Header
<a href="#">1379118-1</a>	A	Black	14.8	17.1	34.1	-	-	-	-
<a href="#">1379118-2</a>	B	White	14.8	17.1	34.1	-	-	185311, 953382,	-
<a href="#">1379118-3</a>	C	Green	14.8	17.1	34.1	-	-	953381	-
<a href="#">1379118-4</a>	D	Brown	14.8	17.1	34.1	-	-	-	-



## 6pos MGS Receptacle Housing Sealed



### Technical Features

**No. of Positions:**  
6

**Style:**  
Receptacle Housing

**Contact System:**  
MQS

**Sealed:**  
Yes

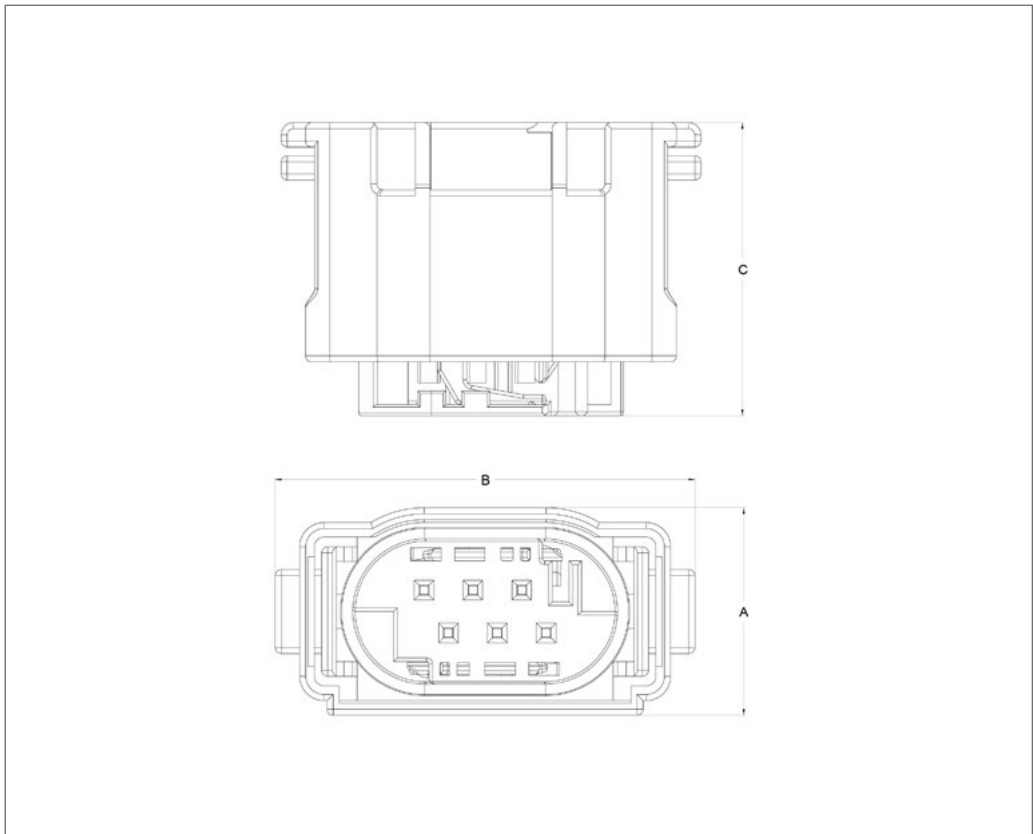
**Application Specification:**  
114-18061

**Product Specification:**  
108-18272-0

Part Number	Keying Option	Color	Dimensions			Cover & Lever	Retainer	Mating Parts	
			Height (A)	Length (B)	Width (C)			Connector	Header
<a href="#">1-967616-1</a>	A	Black	17	30.4	24	-	-		
<a href="#">1-967616-2</a>	A	Black	17	30.4	24	-	-		
<a href="#">2-967616-1</a>	B	Gray	17	30.4	24	-	-	967587	1241637
<a href="#">5-967616-2</a>	B	Gray	17	30.4	24	-	-		
<a href="#">3-967616-1</a>	C	Blue	17	30.4	24	-	-		



6pos MQS Receptacle Housing Sealed



**Technical Features**

**No. of Positions:**  
6

**Style:**  
Tab Housing

**Contact System:**  
MQS

**Sealed:**  
Yes

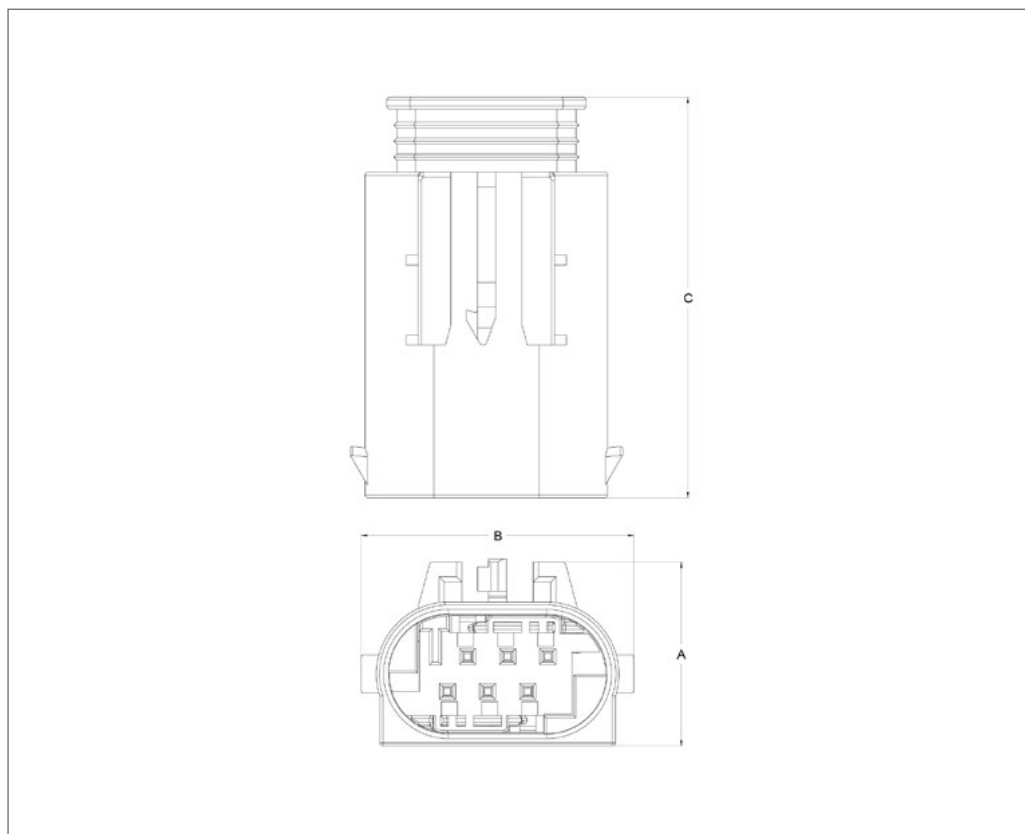
**Application Specification:**  
114-18061

**Product Specification:**  
108-18272-0

Part Number	Keying Option	Color	Dimensions			Cover & Lever	Retainer	Mating Parts	
			Height (A)	Length (B)	Width (C)			Connector	Header
<a href="#">1563872-1</a>	A	Black	17	34.4	24	-	-		
<a href="#">1-1563872-1</a>	A	Black	17	34.4	24	-	-	967587	1241637
<a href="#">1563872-2</a>	B	Gray	17	34.4	24	-	-		
<a href="#">1563872-3</a>	C	Blue	17	34.4	24	-	-		



## 6pos MGS Tab Housing Sealed



### Technical Features

**No. of Positions:**

6

**Style:**

Tab Housing

**Contact System:**

MQS

**Sealed:**

Yes

**Application Specification:**

114-18061

**Product Specification:**

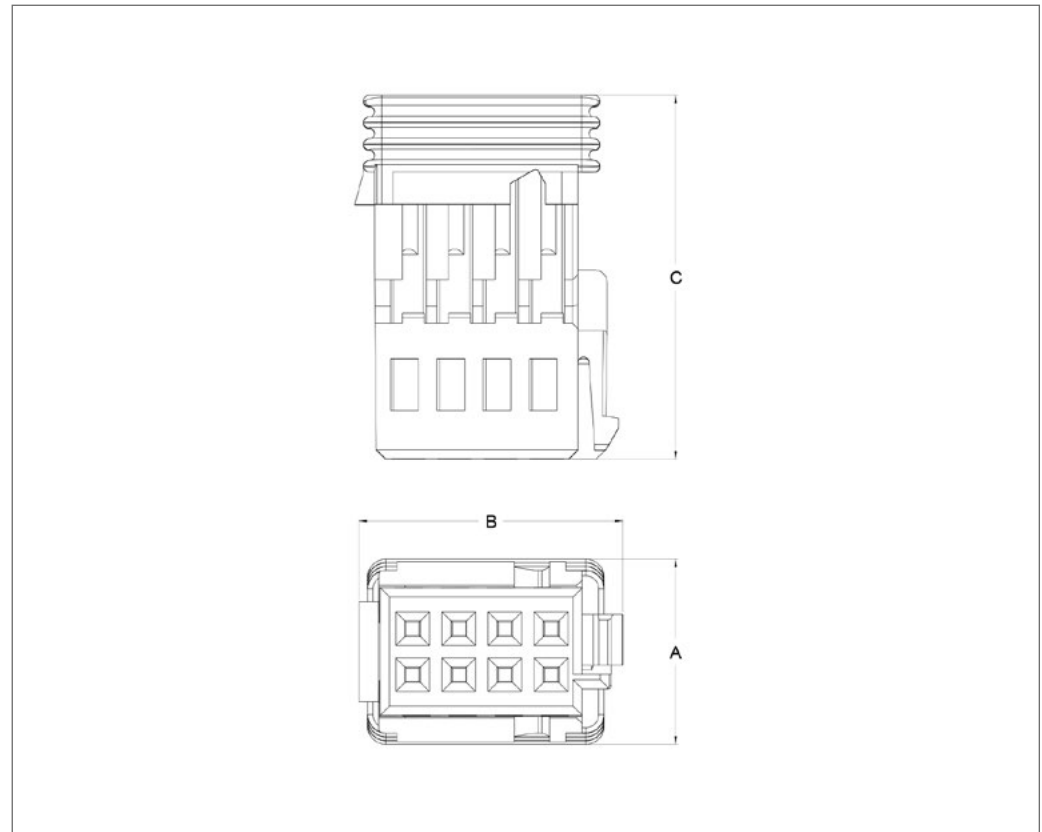
108-18569-1

Part Number	Keying Option	Color	Dimensions			Cover & Lever	Retainer	Mating Parts	
			Height (A)	Length (B)	Width (C)			Connector	Header
<a href="#">1-967587-3</a>	A	Black	18.4	27.2	40.1	-	-	-	-
<a href="#">2-967587-3</a>	B	Gray	18.7	27.2	40.1	-	-	967616, 1563872	-
<a href="#">6-967587-3</a>	B	Black	18.7	27.2	40.1	-	-	-	-





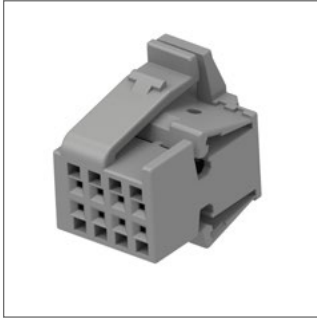
8pos MQS Receptacle Housing



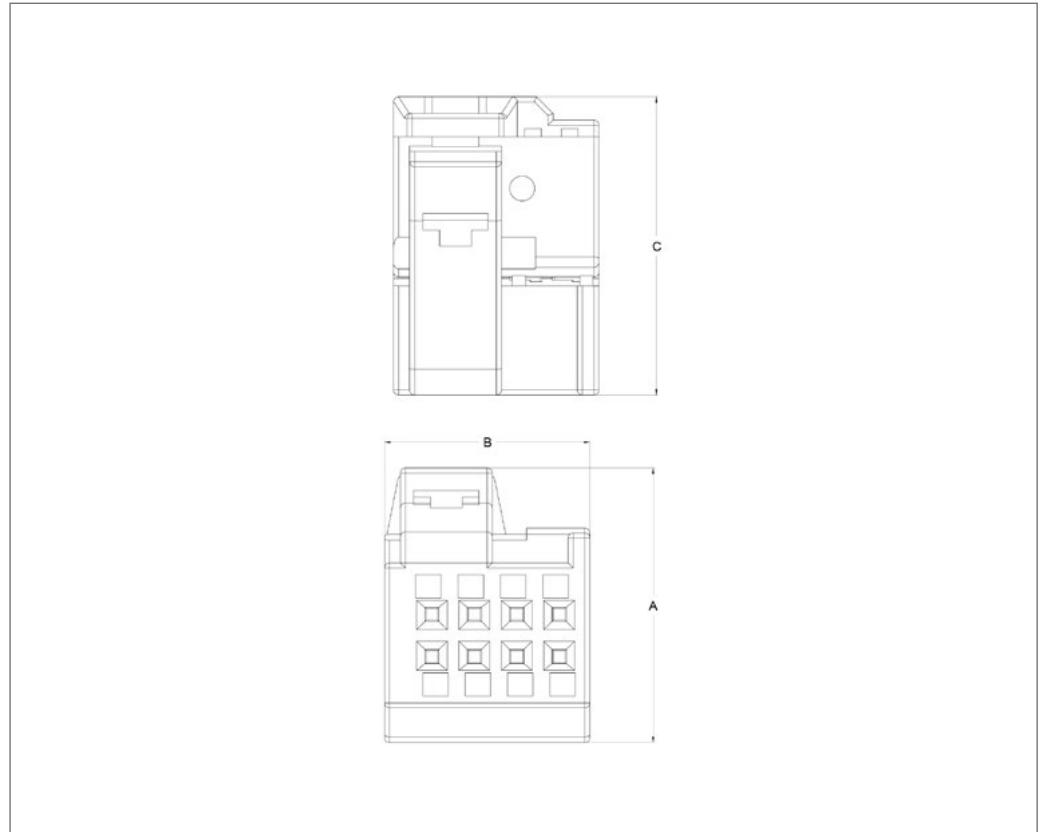
Technical Features

- No. of Positions:  
8
- Style:  
Receptacle Housing
- Contact System:  
MQS
- Sealed:  
No
- Application Specification:  
-
- Product Specification:  
108-18411-1

Part Number	Keying Option	Color	Dimensions			Cover & Lever	Retainer	Mating Parts	
			Height (A)	Length (B)	Width (C)			Connector	Header
<a href="#">9-965382-2</a>	Z	Blue	10.2	14.51	20.4	-	-	-	2177322



## 8pos MQS Receptacle Housing



### Technical Features

**No. of Positions:**  
8

**Style:**  
Receptacle Housing

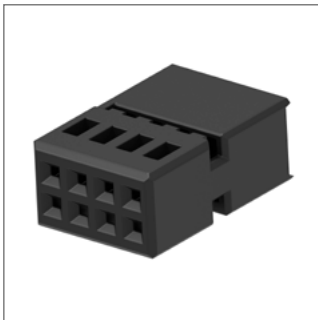
**Contact System:**  
MQS

**Sealed:**  
No

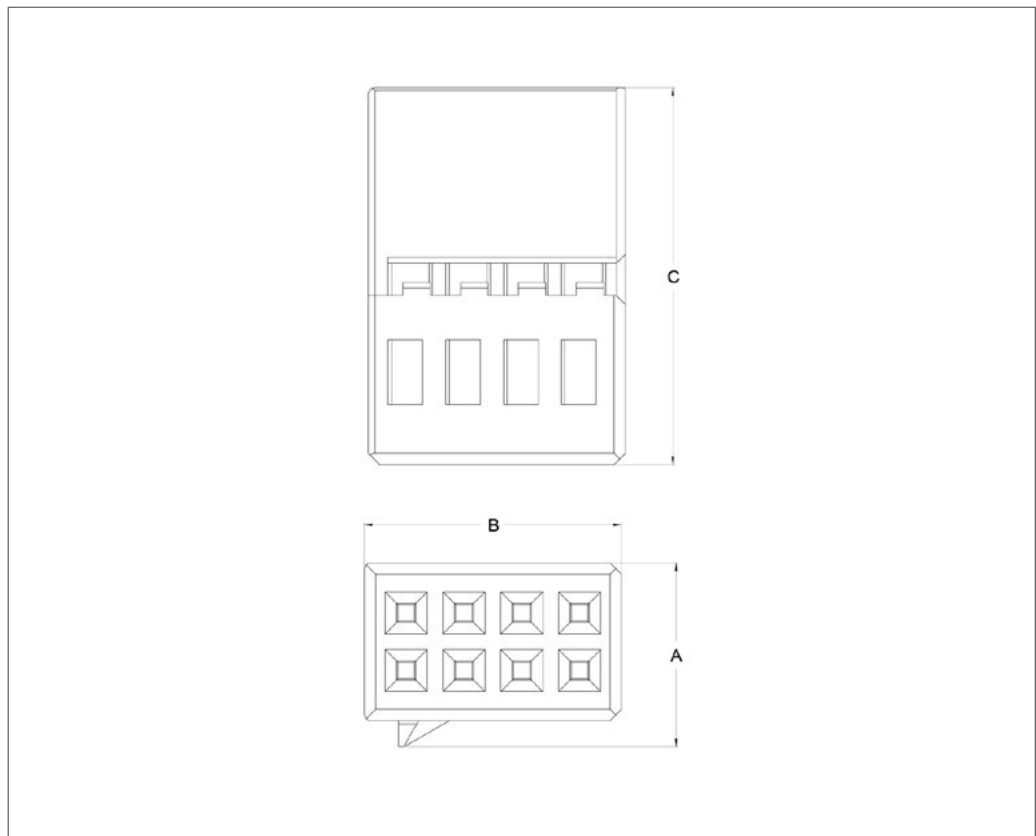
**Application Specification:**  
-

**Product Specification:**  
-

Part Number	Keying Option	Color	Dimensions			Cover & Lever	Retainer	Mating Parts	
			Height (A)	Length (B)	Width (C)			Connector	Header
<a href="#">1-1670459-2</a>	A	Gray	16.47	12.3	17.9	-	-	1564012	1355211, 1670887
<a href="#">2-1670459-2</a>	B	Nature	16.47	12.3	17.9	-	-		



8pos MQS Receptacle Housing



**Technical Features**

**No. of Positions:**  
8

**Style:**  
Receptacle Housing

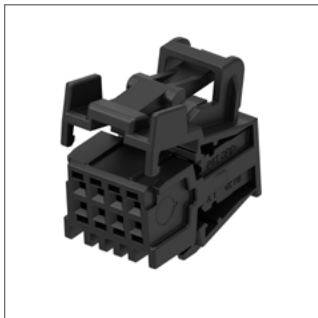
**Contact System:**  
MQS

**Sealed:**  
No

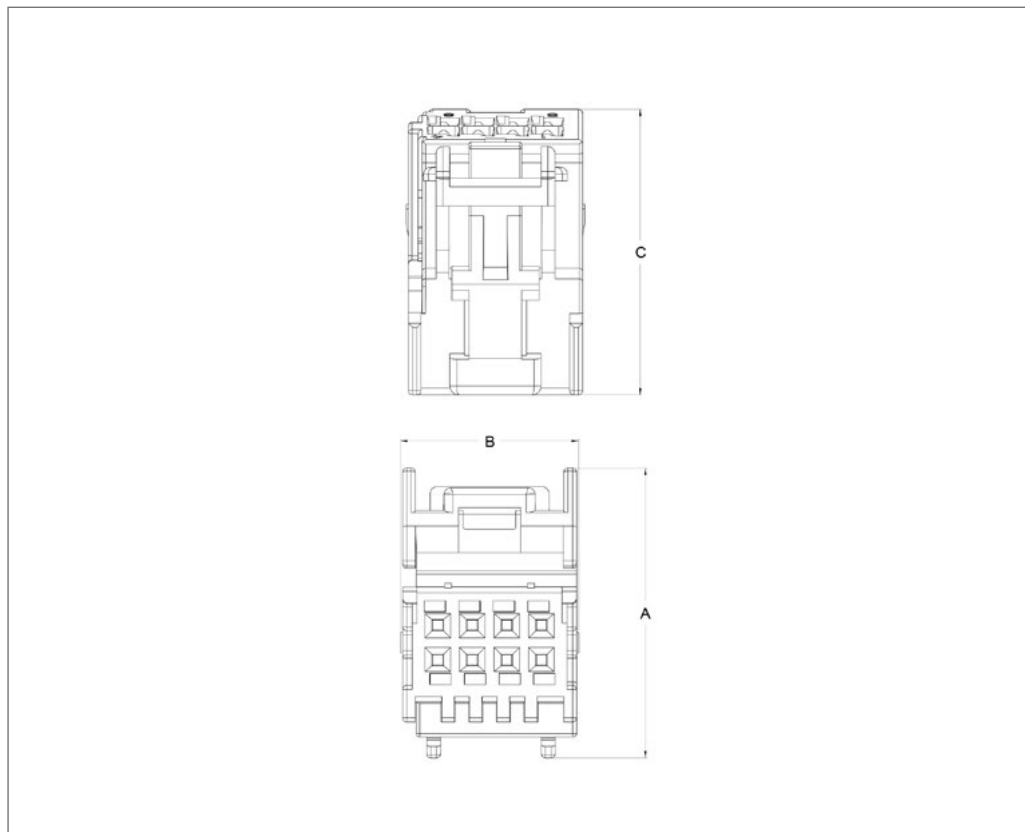
**Application Specification:**  
-

**Product Specification:**  
108-18620-1

Part Number	Keying Option	Color	Dimensions			Cover & Lever	Retainer	Mating Parts	
			Height (A)	Length (B)	Width (C)			Connector	Header
<a href="#">965601-2</a>	A	Black	8.1	11.3	16.6	1564013,	-	1564012,	1355211,
<a href="#">965601-2</a>	B	Black	7.6	11.3	16.6	1745000	-	284869	1670887



### 8pos MQS Receptacle Housing



#### Technical Features

**No. of Positions:**  
8

**Style:**  
Receptacle Housing

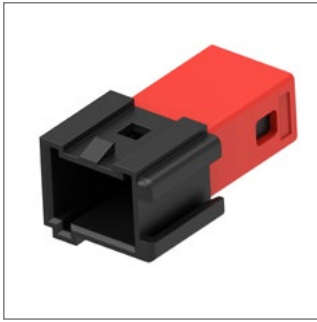
**Contact System:**  
MQS

**Sealed:**  
No

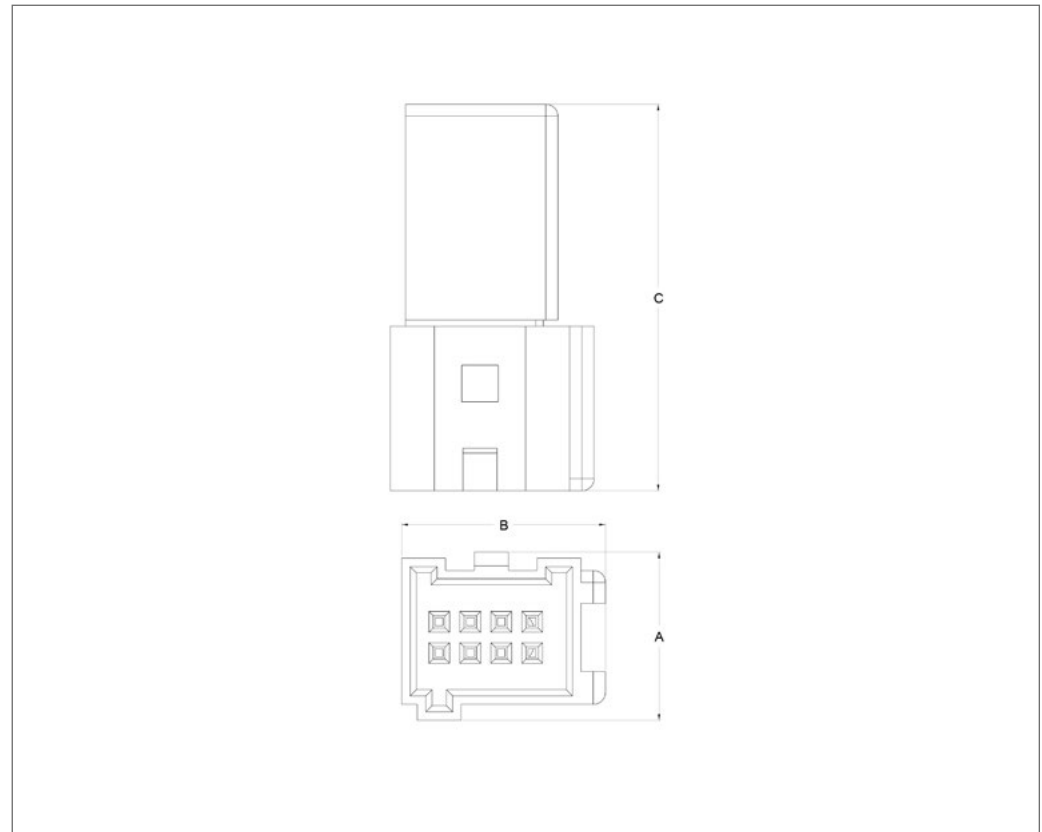
**Application Specification:**  
-

**Product Specification:**  
108-10152

Part Number	Keying Option	Color	Dimensions			Cover & Lever	Retainer	Mating Parts	
			Height (A)	Length (B)	Width (C)			Connector	Header
<a href="#">2322346-1</a>	A, D	Black	21.1	12.9	20.7	-	-	-	2311621
<a href="#">2322346-2</a>	B, C	Brown	21.1	12.9	20.7	-	-	-	
<a href="#">2322346-3</a>	A, C	Green	21.1	12.9	20.7	-	-	-	
<a href="#">2322346-4</a>	B, D	Blue	21.1	12.9	20.7	-	-	-	



8pos MQS Tab Housing



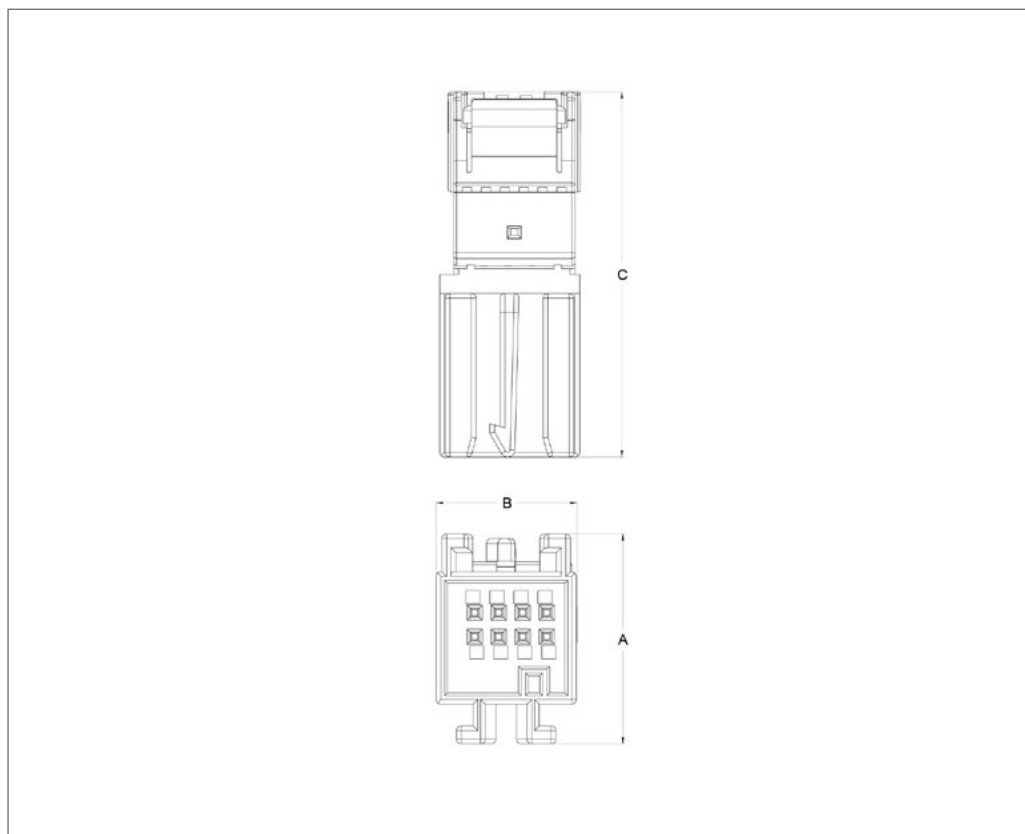
Technical Features

No. of Positions:  
8  
 Style:  
Tab Housing  
 Contact System:  
MQS  
 Sealed:  
No  
 Application Specification:  
-  
 Product Specification:  
108-20245

Part Number	Keying Option	Color	Dimensions			Cover & Lever	Retainer	Mating Parts	
			Height (A)	Length (B)	Width (C)			Connector	Header
<a href="#">284869-1</a>	A	Black	13.8	16.7	31.7	-	-		-
<a href="#">284869-2</a>	B	Gray	13.8	16.7	31.7	-	-	1745000, 965601	-
<a href="#">284869-3</a>	C	Black	14.1	16.7	31.7	-	-		-
<a href="#">284869-4</a>	D	Gray	14.1	16.7	31.7	-	-		-



## 8pos MGS Tab FFC Housing



## Technical Features

No. of Positions:

8

Style:

Tab Housing FFC

Contact System:

MQS

Sealed:

No

Application Specification:

-

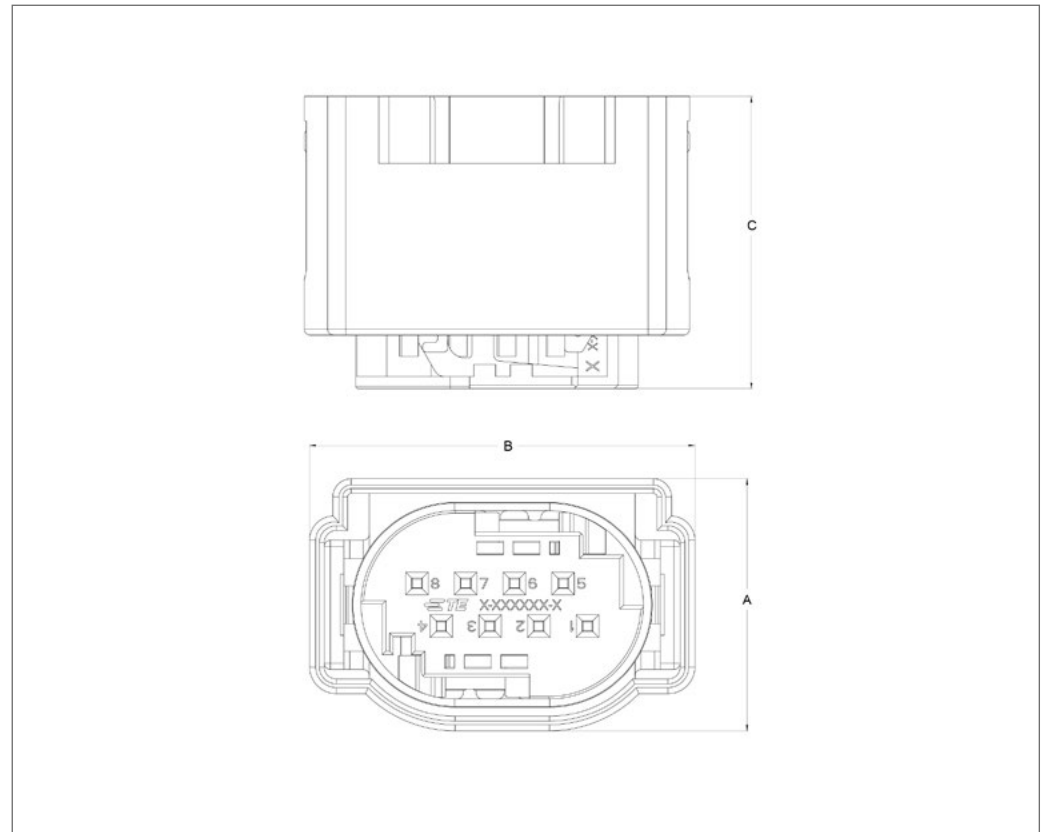
Product Specification:

108-18808-1

Part Number	Keying Option	Color	Dimensions			Cover & Lever	Retainer	Mating Parts	
			Height (A)	Length (B)	Width (C)			Connector	Header
<a href="#">1-1564012-3</a>	A	Black	22.2	14.9	38.6	-	-	965601+ 1564013	-



8pos MQS Receptacle Housing Sealed



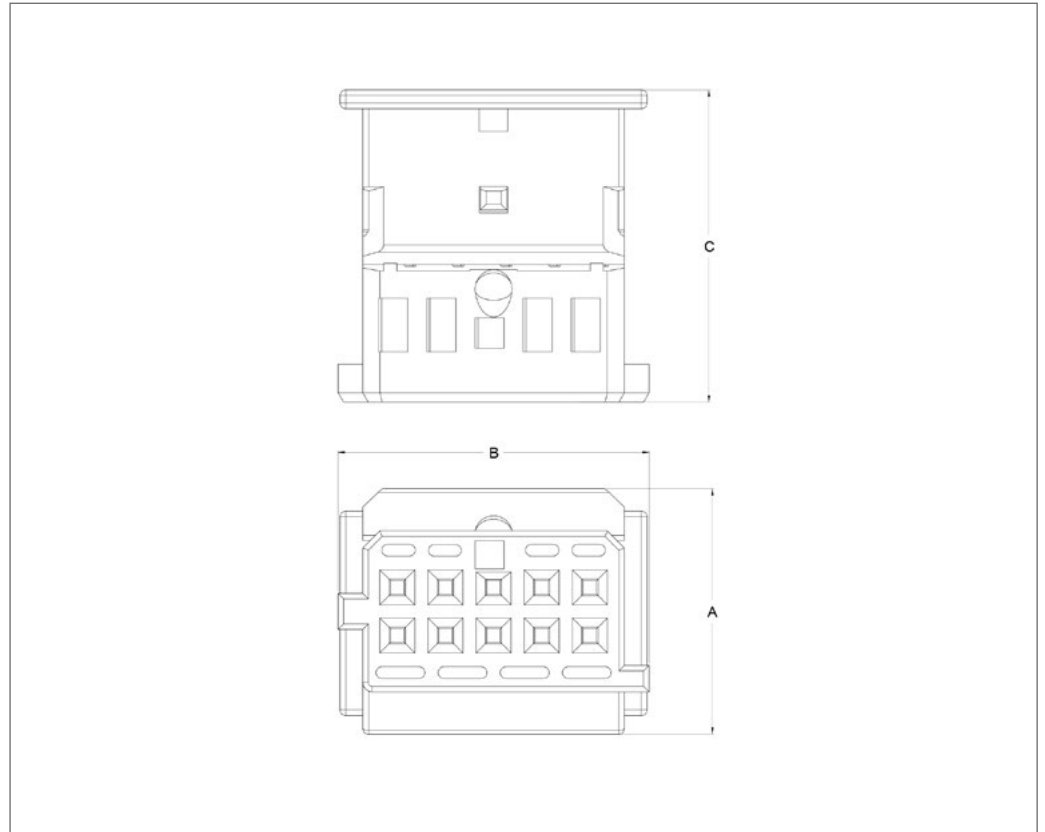
Technical Features

- No. of Positions:  
8
- Style:  
Receptacle Housing
- Contact System:  
MQS
- Sealed:  
Yes
- Application Specification:  
114-18061
- Product Specification:  
108-18272-0

Part Number	Keying Option	Color	Dimensions			Cover & Lever	Retainer	Mating Parts	
			Height (A)	Length (B)	Width (C)			Connector	Header
<a href="#">1-1534229-1</a>	A	Black	20.7	31.6	24	-	-	-	
<a href="#">2-1534229-1</a>	B	Gray	20.7	31.6	24	-	-	-	967658
<a href="#">2-1534229-2</a>	B	Brown	20.7	31.6	24	-	-	-	



### 10pos MGS Receptacle Housing



#### Technical Features

**No. of Positions:**  
10

**Style:**  
Receptacle Housing

**Contact System:**  
MQS

**Sealed:**  
No

**Application Specification:**  
-

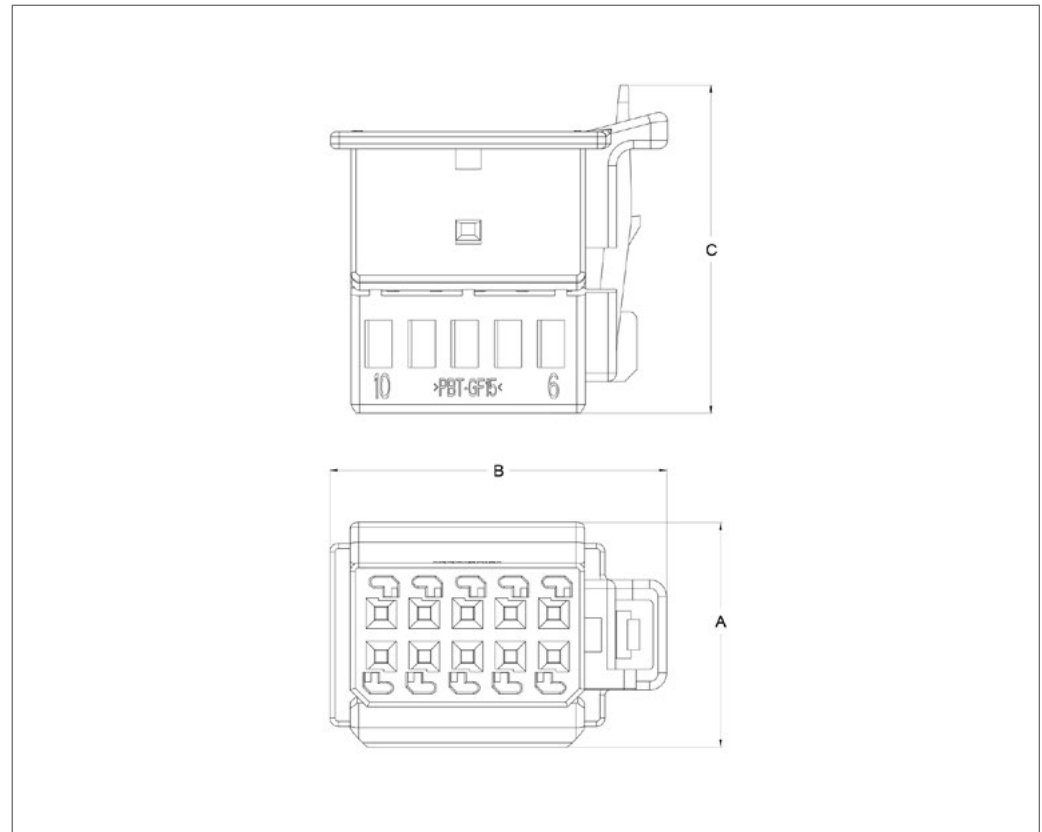
**Product Specification:**  
108-18507-1

Part Number	Keying Option	Color	Dimensions			Cover & Lever	Retainer	Mating Parts	
			Height (A)	Length (B)	Width (C)			Connector	Header
<a href="#">1-968636-2</a>	A	Black	12.96	16.4	16.5	-	-	-	967579
<a href="#">2-968636-2</a>	B	Nature	12.96	16.4	16.5	-	-	-	





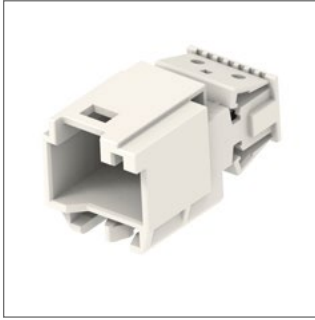
10pos MQS Receptacle Housing



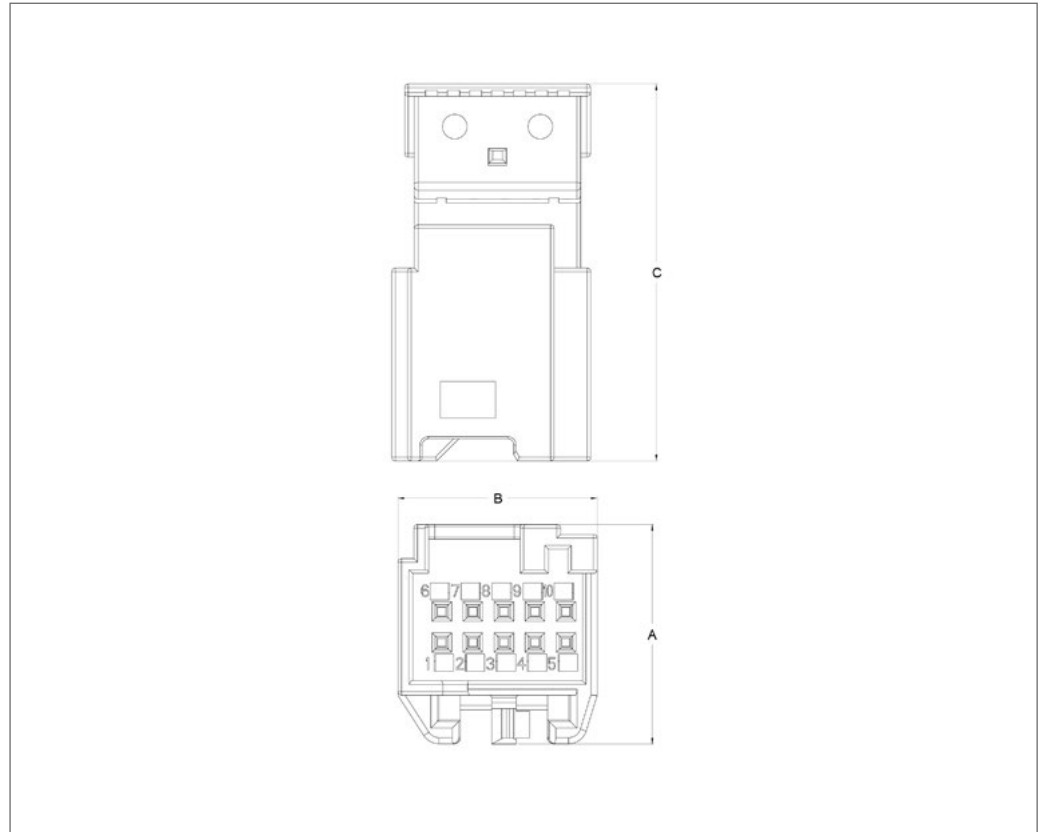
Technical Features

- No. of Positions:**  
10
- Style:**  
Receptacle Housing
- Contact System:**  
MQS
- Sealed:**  
No
- Application Specification:**  
114-13143
- Product Specification:**  
108-18590-0

Part Number	Keying Option	Color	Dimensions			Cover & Lever	Retainer	Mating Parts	
			Height (A)	Length (B)	Width (C)			Connector	Header
<a href="#">1488973-1</a>	A	Black	13.26	19.83	19.35	-	-	-	-
<a href="#">1488973-2</a>	B	Black	13.26	19.83	19.35	-	-	-	-
<a href="#">1488973-3</a>	C	Gray	13.26	19.83	19.35	-	-	-	-



## 10pos MGS Tab Housing



## Technical Features

## No. of Positions:

10

## Style:

Tab Housing

## Contact System:

MQS

## Sealed:

No

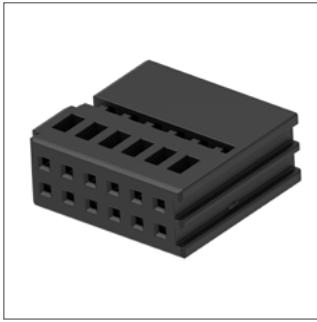
## Application Specification:

-

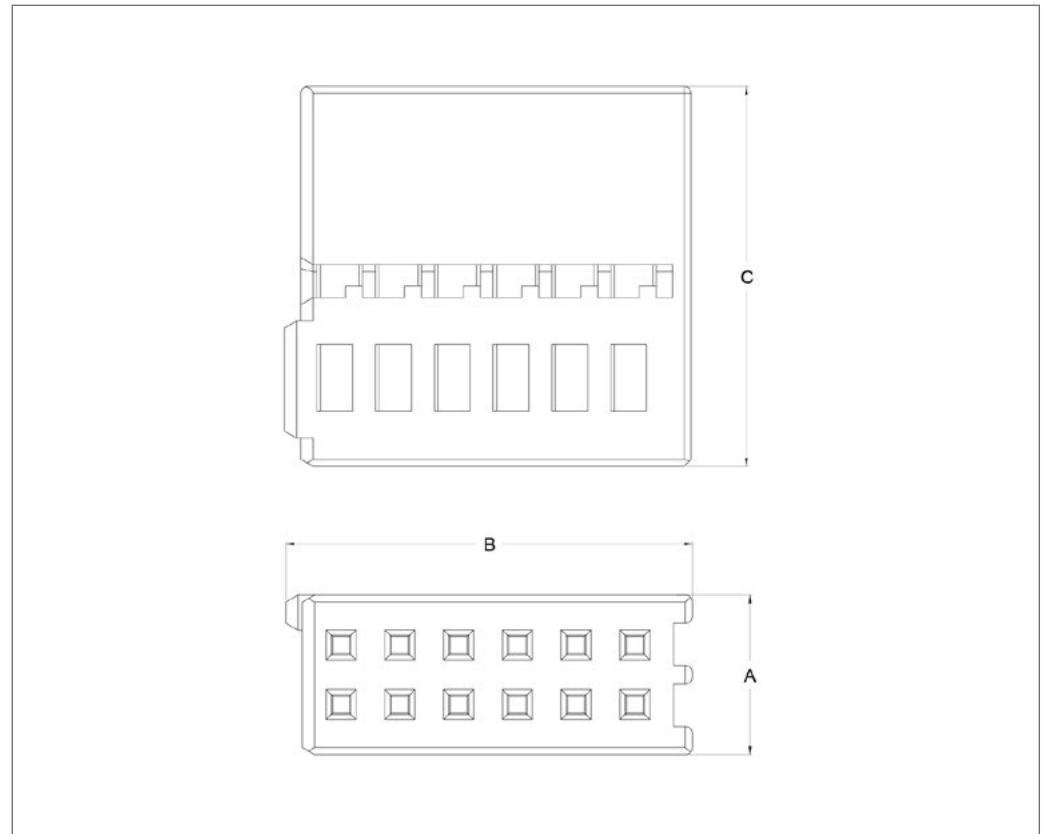
## Product Specification:

-

Part Number	Keying Option	Color	Dimensions			Cover & Lever	Retainer	Mating Parts	
			Height (A)	Length (B)	Width (C)			Connector	Header
<a href="#">2-1719843-5</a>	B	Nature	18	16.3	30.9	-	-	1418491	-



### 12pos MQS Receptacle Housing



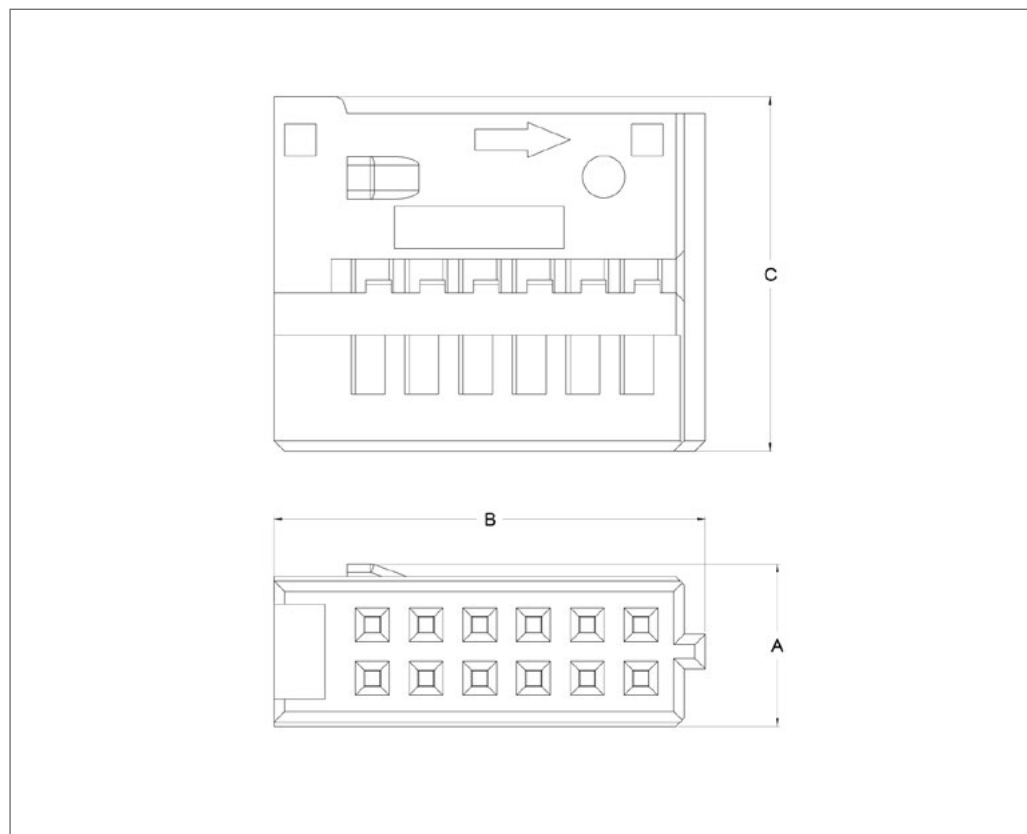
#### Technical Features

- No. of Positions:**  
12
- Style:**  
Receptacle Housing
- Contact System:**  
MQS
- Sealed:**  
No
- Application Specification:**  
-
- Product Specification:**  
-

Part Number	Keying Option	Color	Dimensions			Cover & Lever	Retainer	Mating Parts	
			Height (A)	Length (B)	Width (C)			Connector	Header
<a href="#">1534100-1</a>	A	Black	6.8	17.3	16.2	1534093 or 1534096	-	1534840	967250



## 12pos MQL Receptacle Housing



## Technical Features

## No. of Positions:

12

## Style:

Receptacle Housing

## Contact System:

MQL

## Sealed:

No

## Application Specification:

411-15565

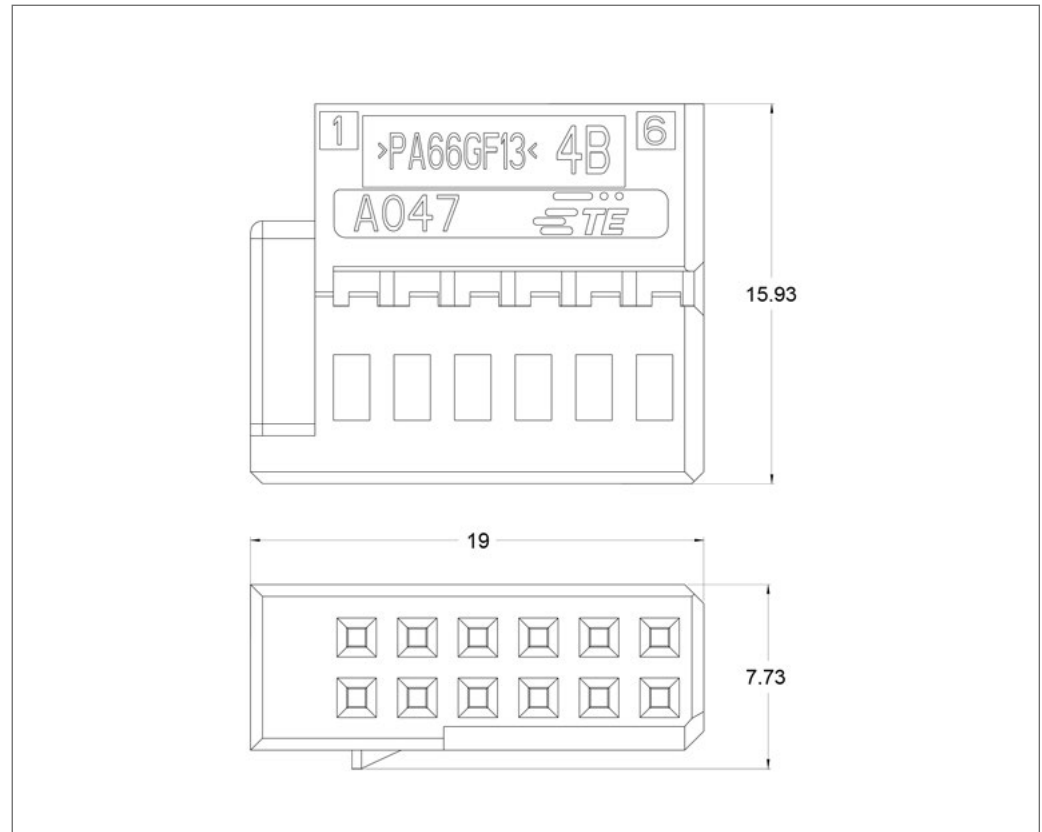
## Product Specification:

108-15261

Part Number	Keying Option	Color	Dimensions			Cover & Lever	Retainer	Mating Parts	
			Height (A)	Length (B)	Width (C)			Connector	Header
<a href="#">1379219-1</a>	A	Black	7.7	20.4	16.8	1379095 or 1379096	-	-	185740, 1379114, 1379030, 953130, 1801434



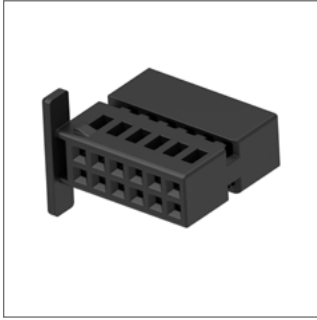
12pos MQS Receptacle Housing



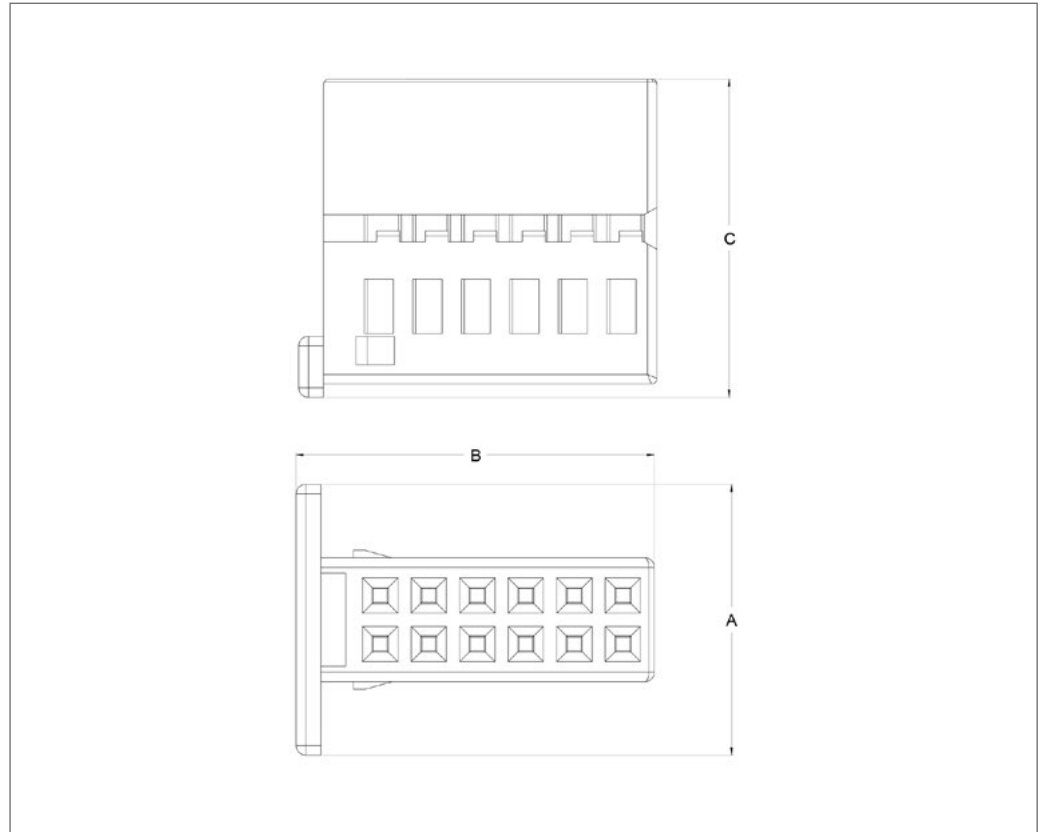
Technical Features

- No. of Positions:**  
12
- Style:**  
Receptacle Housing
- Contact System:**  
MQS
- Sealed:**  
No
- Application Specification:**  
411-15565
- Product Specification:**  
108-20222

Part Number	Keying Option	Color	Dimensions			Cover & Lever	Retainer	Mating Parts	
			Height (A)	Length (B)	Width (C)			Connector	Header
<a href="#">284442-1</a>	A	Black	7.73	19	15.93	284443	-	-	185740, 1379114, 1379030, 953130, 1801434



## 12pos MGS Receptacle Housing



## Technical Features

No. of Positions:

12

Style:

Receptacle Housing

Contact System:

MQS

Sealed:

No

Application Specification:

114-18173-0

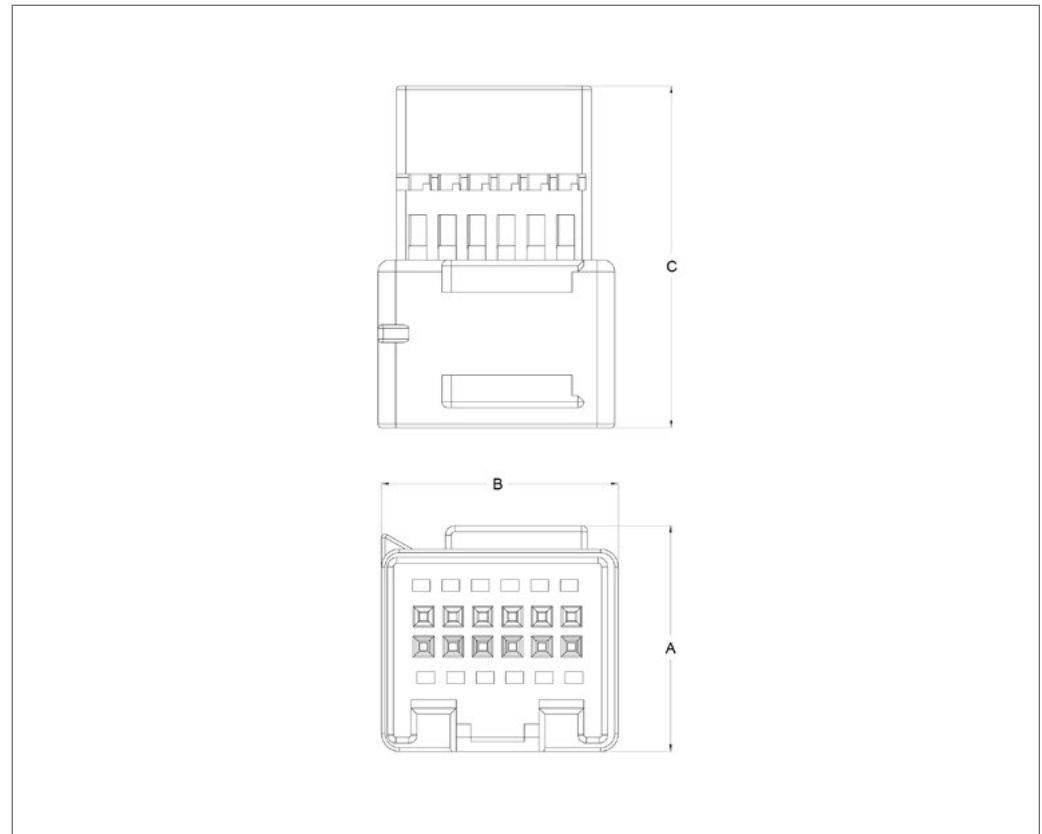
Product Specification:

-

Part Number	Keying Option	Color	Dimensions			Cover & Lever	Retainer	Mating Parts	
			Height (A)	Length (B)	Width (C)			Connector	Header
<a href="#">968473-1</a>	A	Black	14.2	18.75	16.7	929051	-	-	1719039



12pos MQS Tab Housing



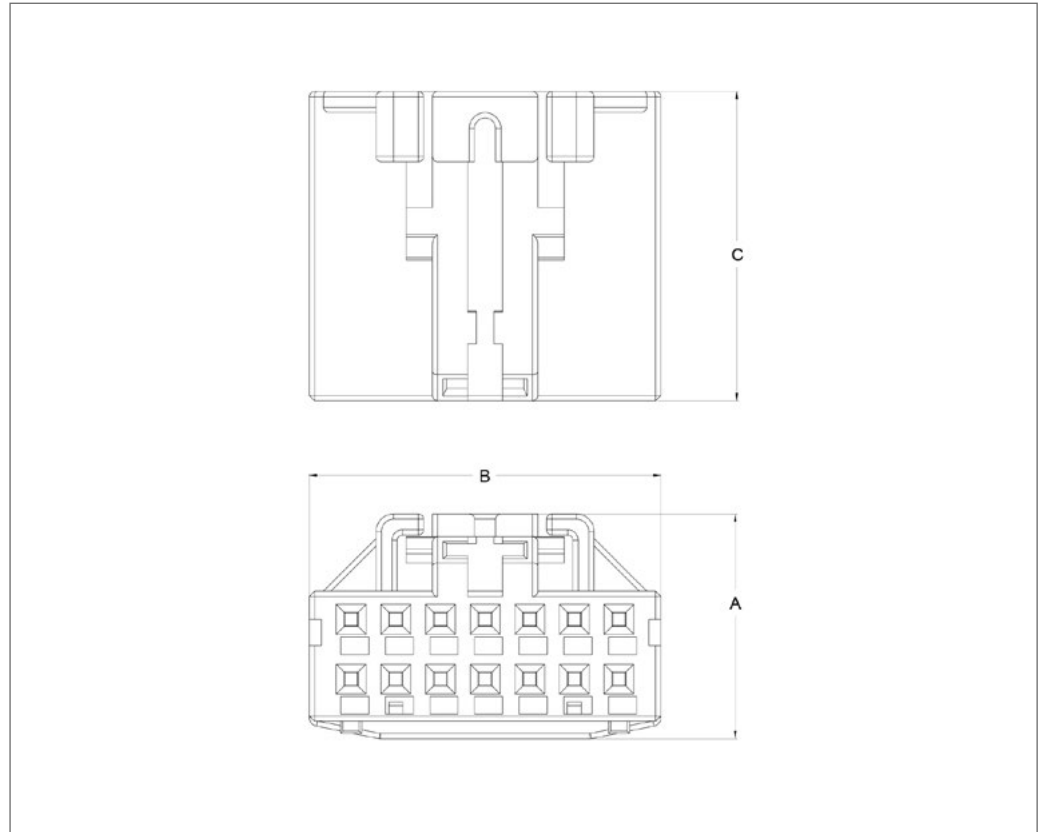
Technical Features

- No. of Positions: 12
- Style: Tab Housing
- Contact System: MQS
- Sealed: No
- Application Specification: -
- Product Specification: -

Part Number	Keying Option	Color	Dimensions			Cover & Lever	Retainer	Mating Parts	
			Height (A)	Length (B)	Width (C)			Connector	Header
<a href="#">1-1534840-1</a>	A	Black	19.1	20	28.9	-	-	1534100	-



## 14pos MGS Receptacle Housing



### Technical Features

**No. of Positions:**

14

**Style:**

Receptacle Housing

**Contact System:**

MQS

**Sealed:**

No

**Application Specification:**

-

**Product Specification:**

-

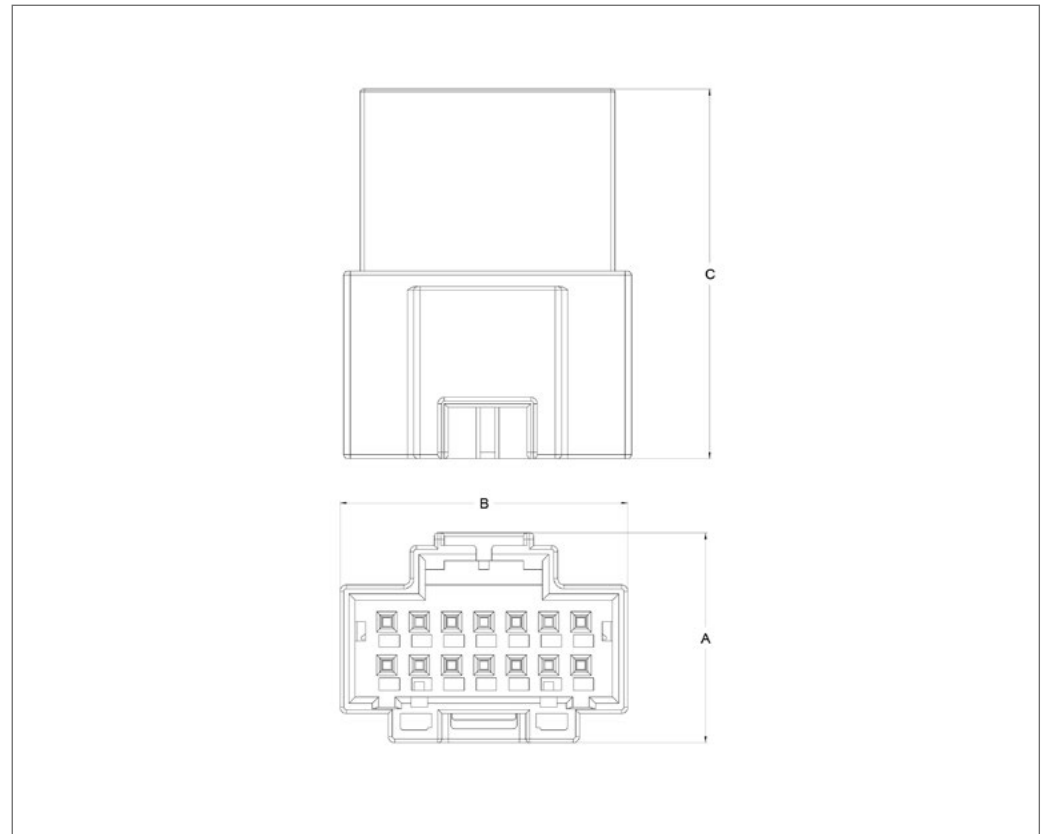
Part Number	Keying Option	Color	Dimensions			Cover & Lever	Retainer	Mating Parts	
			Height (A)	Length (B)	Width (C)			Connector	Header
<a href="#">936124-1</a>	A	Black	12.8	20	17.6	-	-	-	-
<a href="#">936124-2</a>	A	Yellow	12.8	20	17.6	-	-	936126	-
<a href="#">1-936124-2*</a>	A	Yellow	14.8	20	17.6	-	-	-	-

\* with CPA





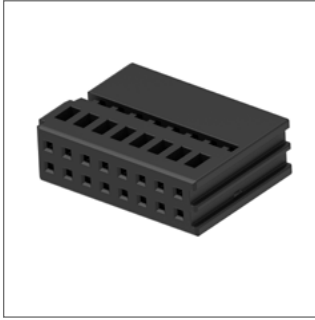
14pos MQS Tab Housing



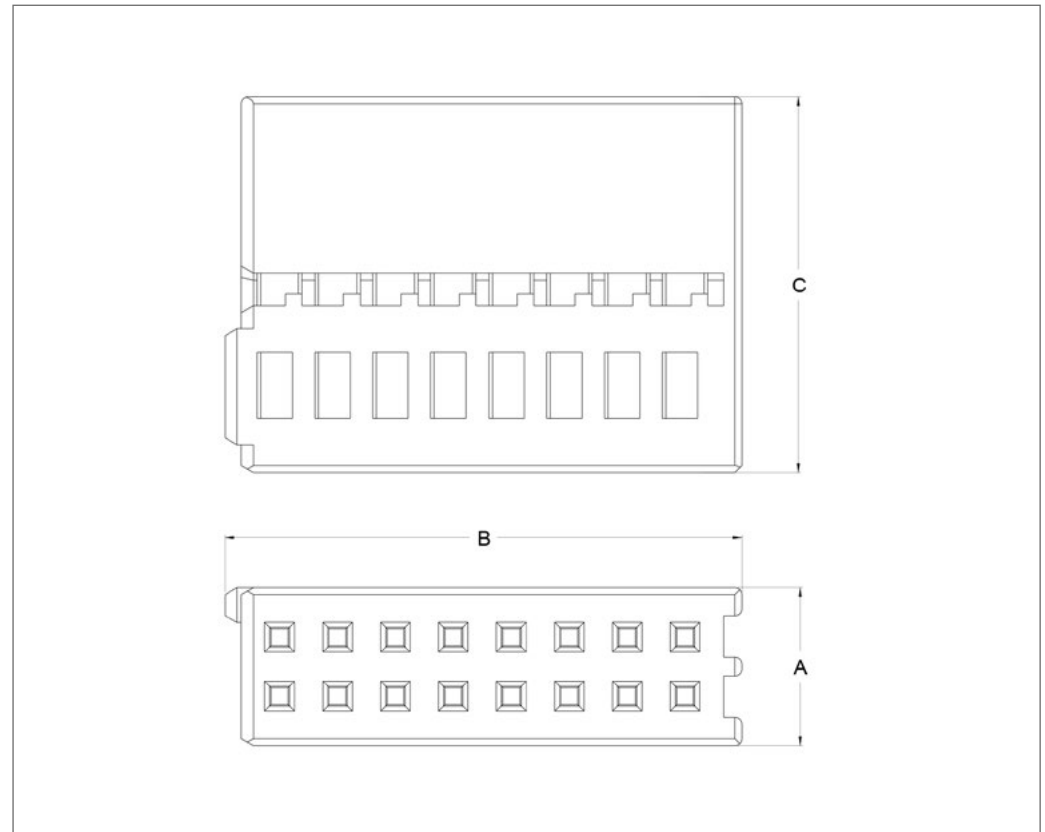
Technical Features

- No. of Positions:  
14
- Style:  
Tab Housing
- Contact System:  
MQS
- Sealed:  
No
- Application Specification:  
-
- Product Specification:  
-

Part Number	Keying Option	Color	Dimensions			Cover & Lever	Retainer	Mating Parts	
			Height (A)	Length (B)	Width (C)			Connector	Header
<a href="#">936126-1</a>	A	Black	16.5	22.6	29	-	-	-	-
<a href="#">936126-2</a>	A	Yellow	16.5	22.6	29	-	-	936124	-



## 16pos MGS Receptacle Housing



## Technical Features

## No. of Positions:

16

## Style:

Receptacle Housing

## Contact System:

MQS

## Sealed:

No

## Application Specification:

-

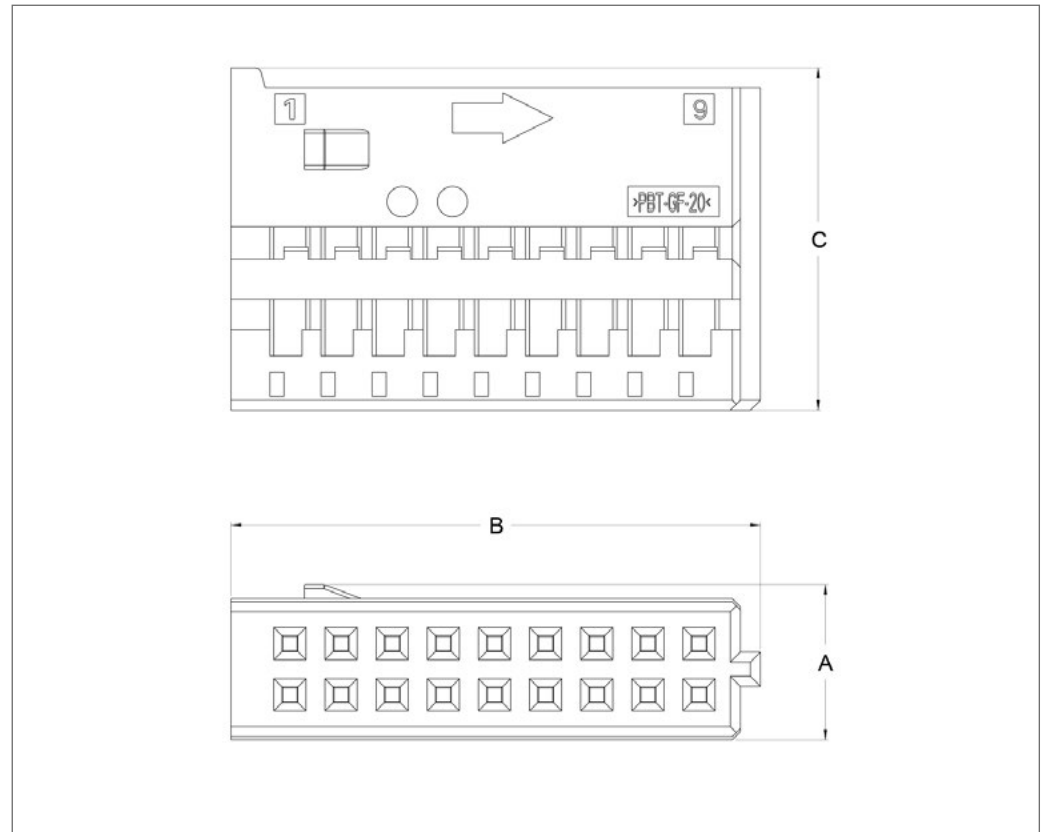
## Product Specification:

-

Part Number	Keying Option	Color	Dimensions			Cover & Lever	Retainer	Mating Parts	
			Height (A)	Length (B)	Width (C)			Connector	Header
<a href="#">1534101-1</a>	A	Black	6.8	22.3	16.2	1534094 or 1534097	-	-	966870



18pos MQS Receptacle Housing



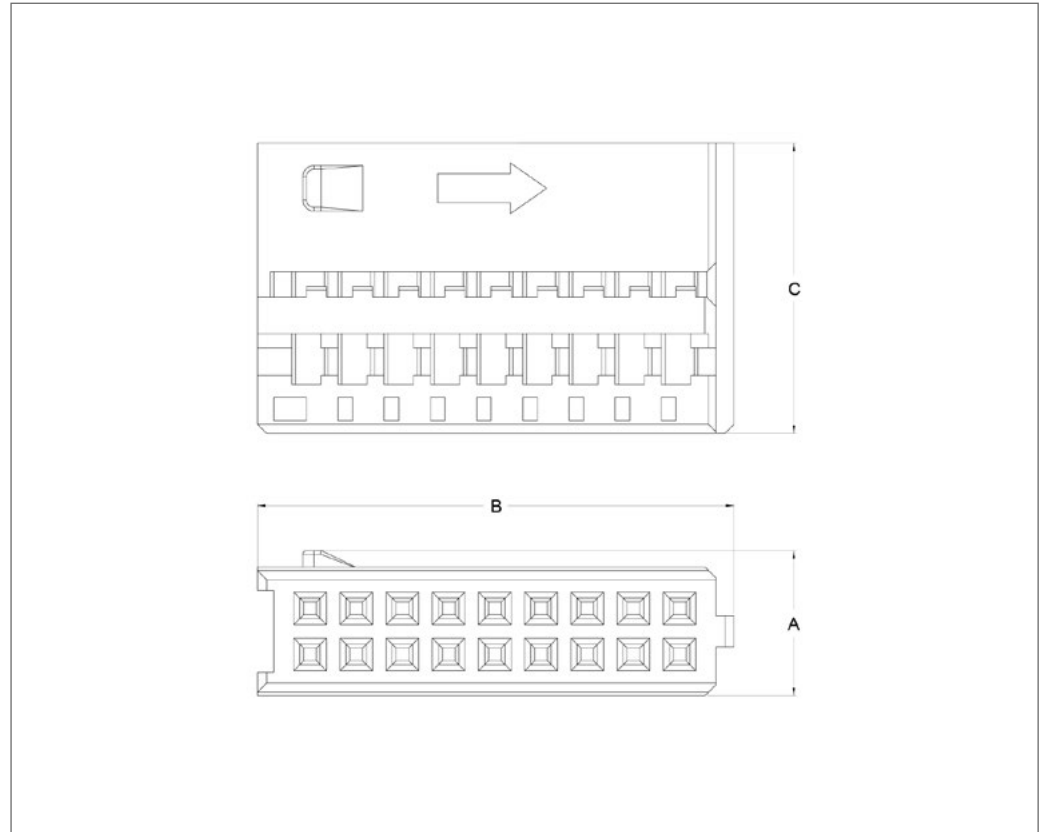
Technical Features

- No. of Positions:**  
18
- Style:**  
Receptacle Housing
- Contact System:**  
MQS
- Sealed:**  
No
- Application Specification:**  
411-15654
- Product Specification:**  
108-15262

Part Number	Keying Option	Color	Dimensions			Cover & Lever	Retainer	Mating Parts	
			Height (A)	Length (B)	Width (C)			Connector	Header
<a href="#">1379102-1</a>	A	Black	7.7	26.3	17	1379100 or 1379101	-	-	953264, 185683, 1379731



18pos MQS Receptacle Housing



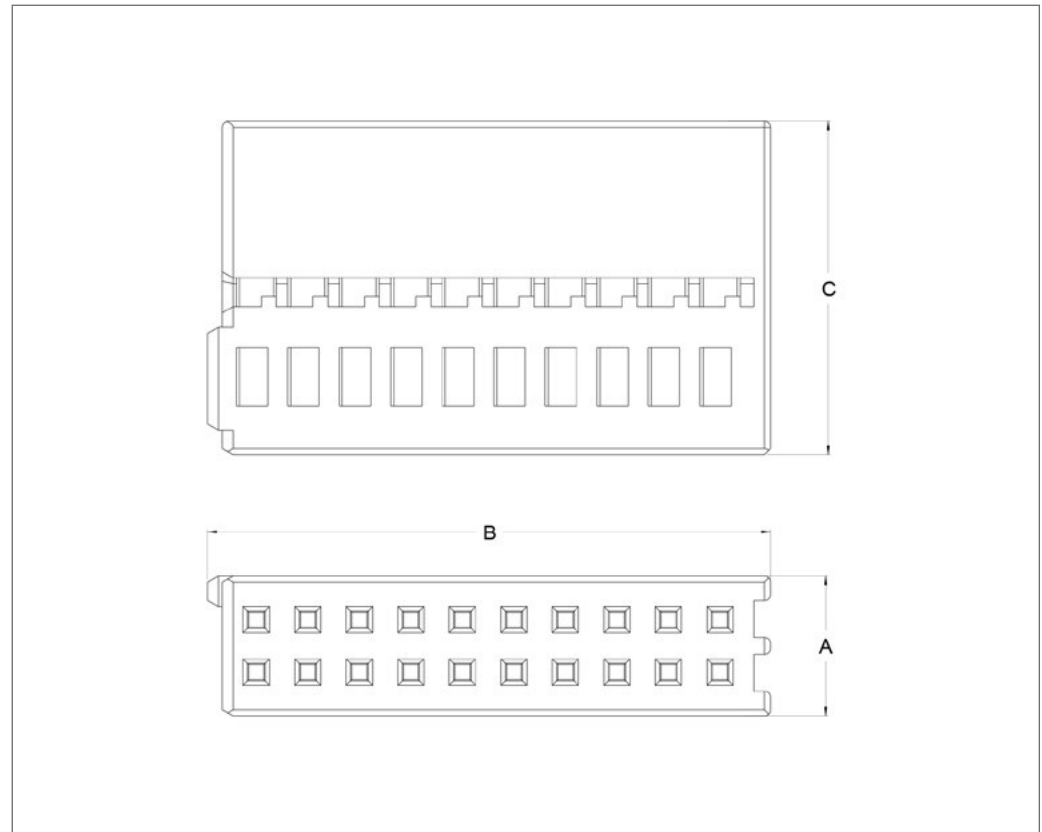
Technical Features

- No. of Positions:**  
18
- Style:**  
Receptacle Housing
- Contact System:**  
MQS
- Sealed:**  
No
- Application Specification:**  
-
- Product Specification:**  
108-18157-0

Part Number	Keying Option	Color	Dimensions			Cover & Lever	Retainer	Mating Parts	
			Height (A)	Length (B)	Width (C)			Connector	Header
<a href="#">1355348-1</a>	A	Black	8	26.2	16	1355350	-	-	963539, 963540, 1355154



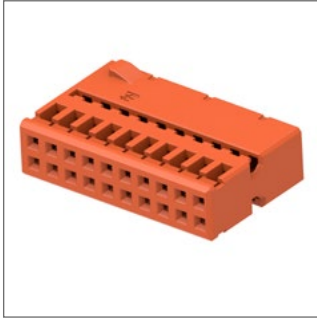
20pos MQS Receptacle Housing



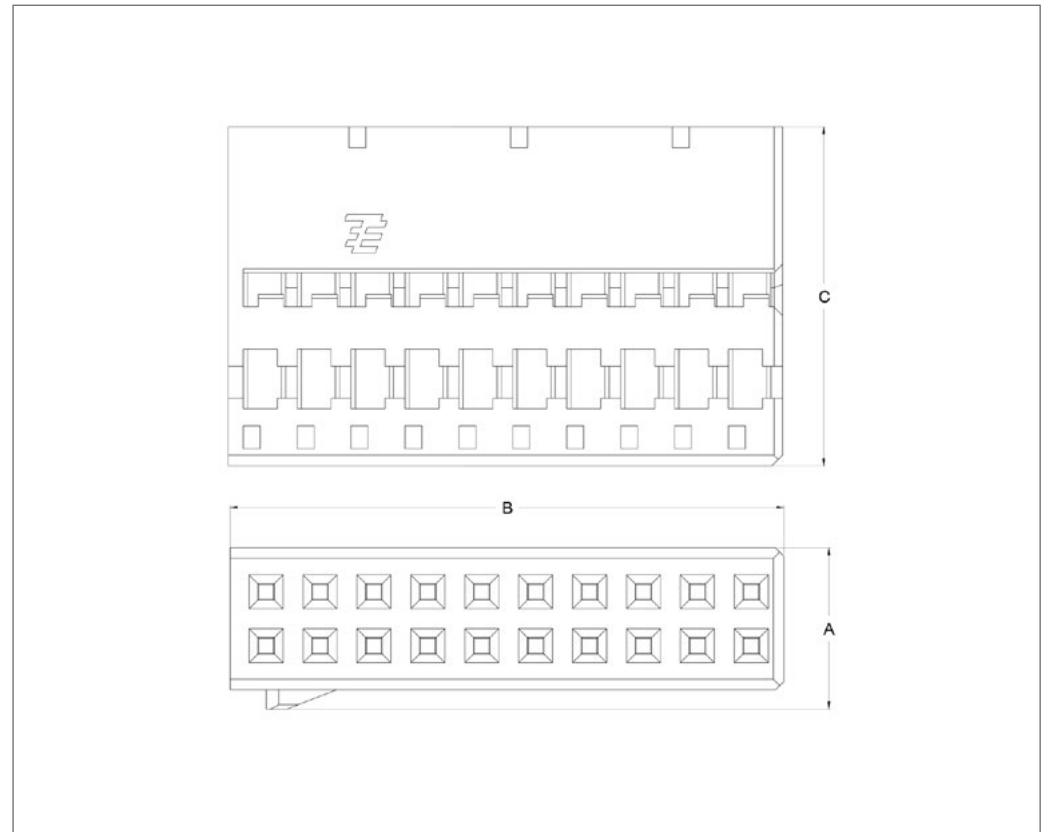
Technical Features

- No. of Positions:**  
20
- Style:**  
Receptacle Housing
- Contact System:**  
MQS
- Sealed:**  
No
- Application Specification:**  
114-18630
- Product Specification:**  
108-18924

Part Number	Keying Option	Color	Dimensions			Cover & Lever	Retainer	Mating Parts	
			Height (A)	Length (B)	Width (C)			Connector	Header
<a href="#">1534102-1</a>	A	Black	6.8	27.3	16.2	1534095 or 1534099	-	-	966871



## 20pos MQS Receptacle Housing



## Technical Features

## No. of Positions:

20

## Style:

Receptacle Housing

## Contact System:

MQS

## Sealed:

No

## Application Specification:

-

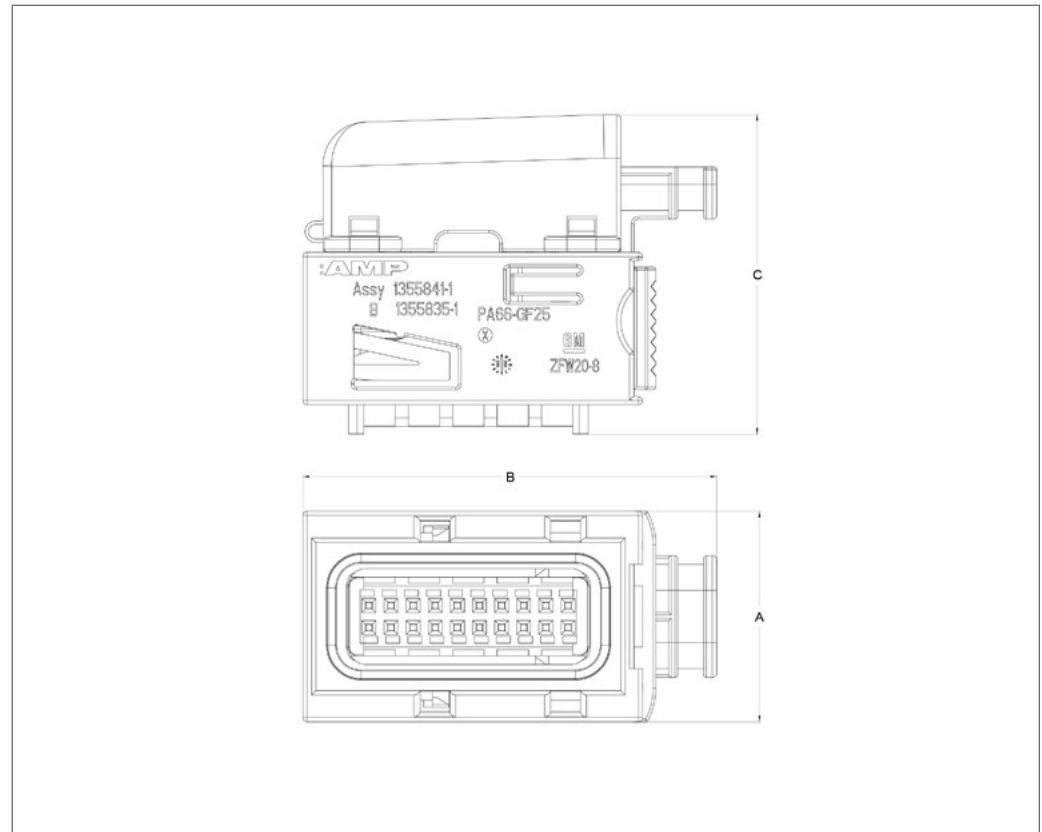
## Product Specification:

108-15178

Part Number	Keying Option	Color	Dimensions			Cover & Lever	Retainer	Mating Parts	
			Height (A)	Length (B)	Width (C)			Connector	Header
<a href="#">953119-1</a>	A	Green	7.6	26.1	16	953122 (40pos)	-	-	
<a href="#">953119-2</a>	B	Brown	7.6	26.1	16	953122 (40pos)	-	-	953118, 1745060, 1394155
<a href="#">1-953119-3</a>	C	Black	7.6	26.1	16	953122 (40pos)	-	-	
<a href="#">1-953119-4</a>	D	White	7.6	26.1	16	953122 (40pos)	-	-	



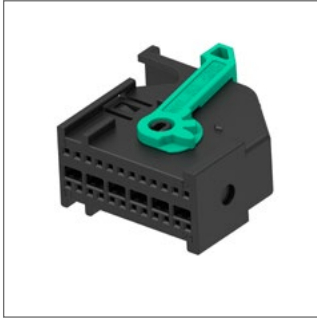
20pos MQS Receptacle Housing Sealed



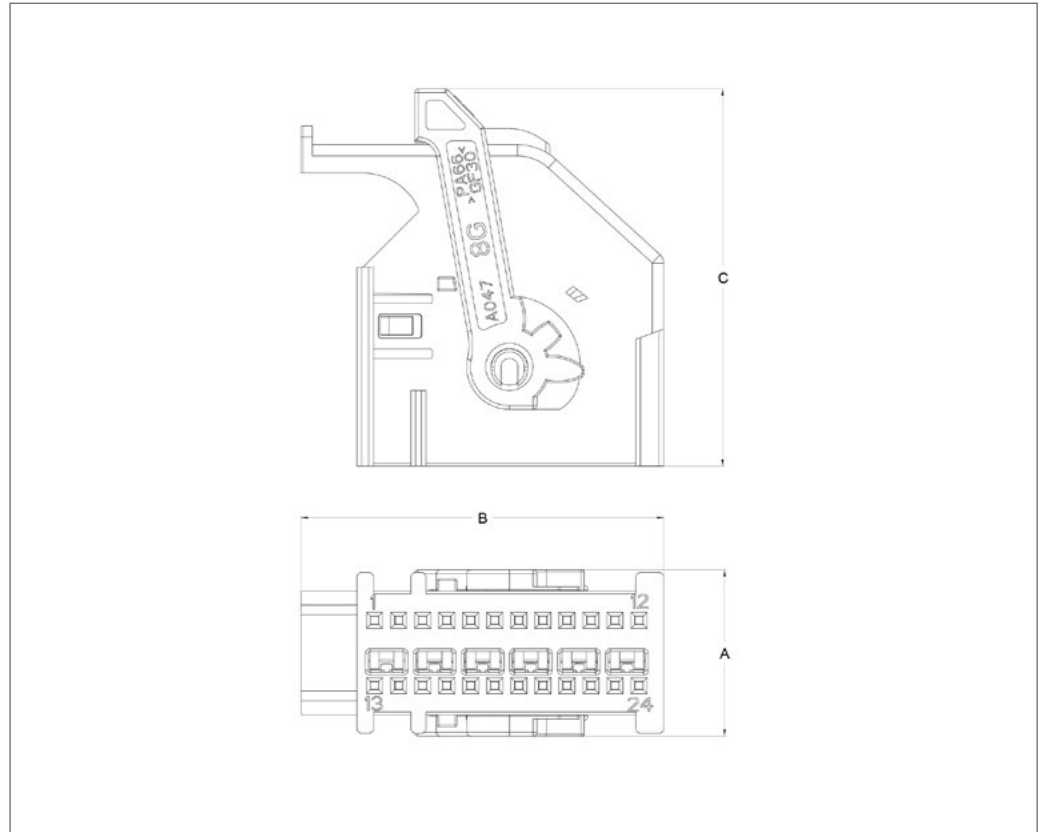
Technical Features

- No. of Positions:**  
20
- Style:**  
Receptacle Housing
- Contact System:**  
MQS
- Sealed:**  
Yes
- Application Specification:**  
114-18337-2
- Product Specification:**  
108-18691-2

Part Number	Keying Option	Color	Dimensions			Cover & Lever	Retainer	Mating Parts	
			Height (A)	Length (B)	Width (C)			Connector	Header
<a href="#">1355841-2</a>	A	Black	24.2	47.5	36.7	-	1355839	-	-



## 24pos MQS Receptacle Housing



## Technical Features

## No. of Positions:

24

## Style:

Receptacle Housing

## Contact System:

MQS

## Sealed:

No

## Application Specification:

411-20054

## Product Specification:

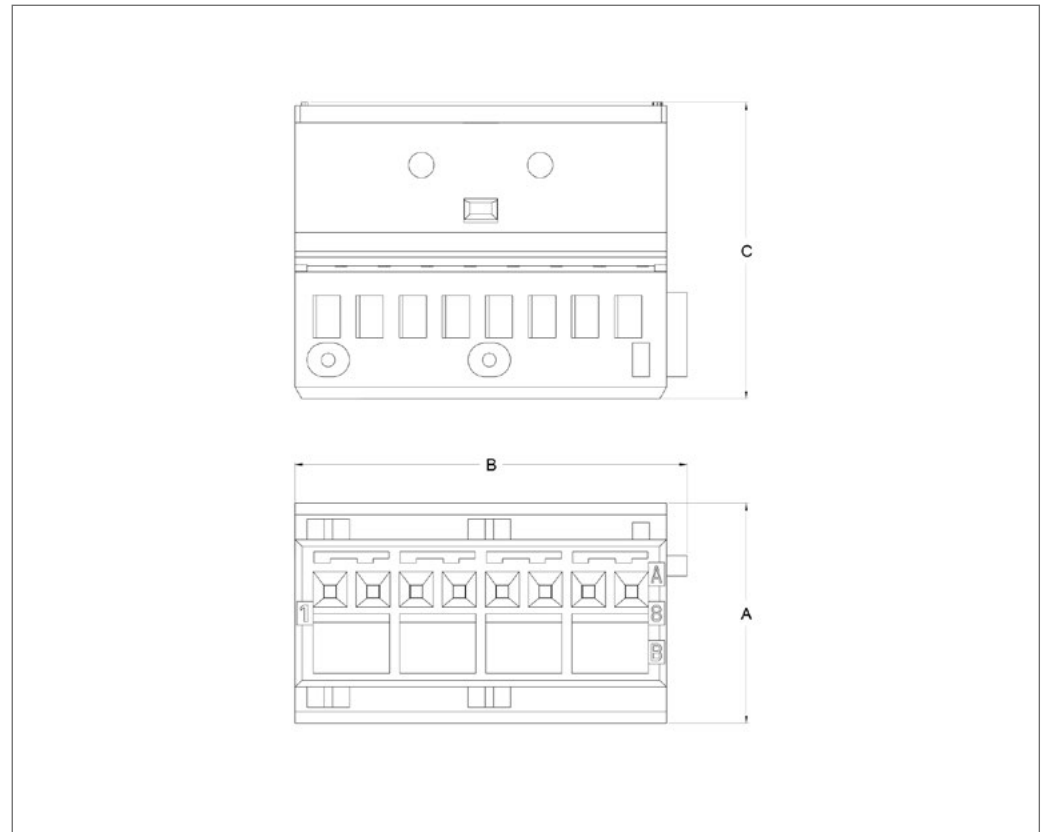
108-20202

Part Number	Keying Option	Color	Dimensions			Cover & Lever	Retainer	Mating Parts	
			Height (A)	Length (B)	Width (C)			Connector	Header
<a href="#">284223-3</a>	A	Gray	17.6	38.3	39.9	-	-	-	
<a href="#">284223-4</a>	B	Black	17.6	38.3	39.9	-	-	-	1379046
<a href="#">284223-5</a>	C	Brown	17.6	38.3	39.9	-	-	-	(24+32pos), 1823100
<a href="#">284223-6</a>	D	Blue	17.6	38.3	39.9	-	-	-	(24+32pos)
<a href="#">1-284223-6</a>	I	Blue	17.6	38.3	39.9	-	-	-	





**24pos MQS Receptacle Housing** (short circuit spring cavities optional)



**Technical Features**

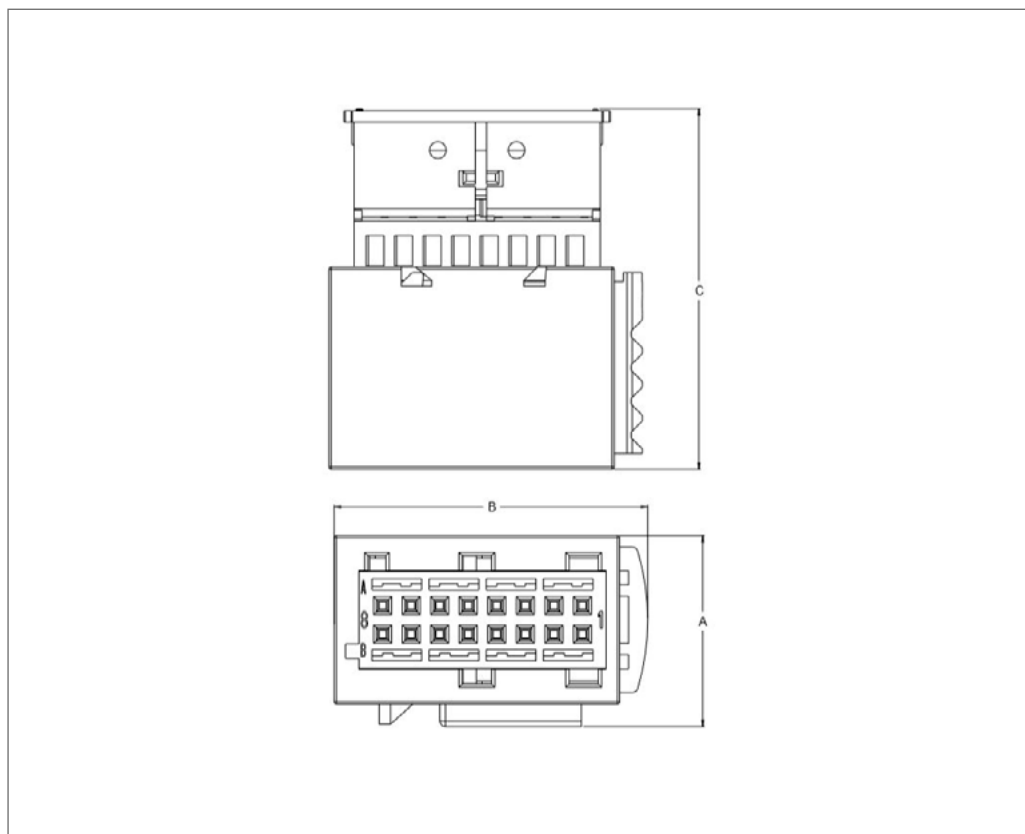
- No. of Positions:**  
24
- Style:**  
Receptacle Housing
- Contact System:**  
MQS
- Sealed:**  
No
- Application Specification:**  
411-15629
- Product Specification:**  
108-15308

Part Number	Keying Option	Color	Dimensions			Cover & Lever	Retainer	Mating Parts	
			Height (A)	Length (B)	Width (C)			Connector	Header
<a href="#">953892-1</a>	A	Green	13	23.1	17.5	-	-		-
<a href="#">1-953892-1*</a>	B	Gray	13	23.1	17.5	-	-		-
<a href="#">2-953892-1*</a>	C	Black	13	23.1	17.5	-	-	953893	-
<a href="#">3-953892-1*</a>	D	Brown	13	23.1	17.5	-	-		-
<a href="#">4-953892-1*</a>	E	Blue	13	23.1	17.5	-	-		-

\* with 1-4 short circuit springs and reduced number of MQS cavities



## 24pos MQS Tab Housing



## Technical Features

## No. of Positions:

26

## Style:

Receptacle Housing

## Contact System:

MQS

## Sealed:

No

## Application Specification:

411-15629

## Product Specification:

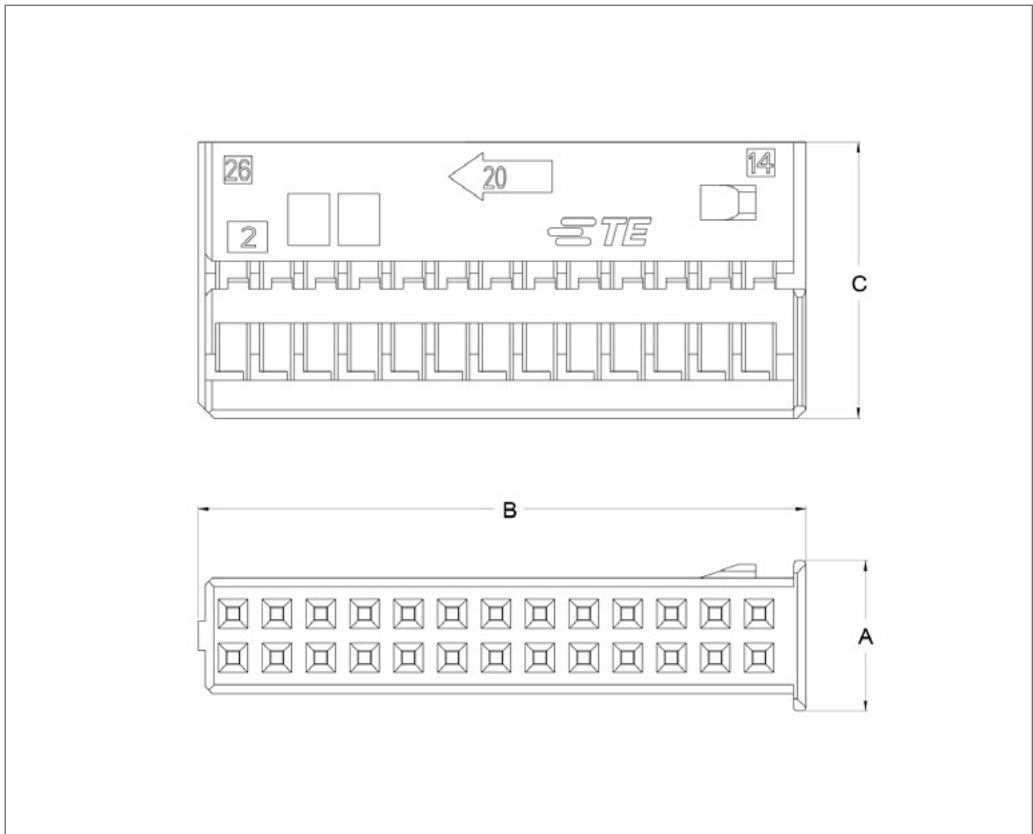
108-15308

Part Number	Keying Option	Color	Dimensions			Cover & Lever	Retainer	Mating Parts	
			Height (A)	Length (B)	Width (C)			Connector	Header
<a href="#">953893-1</a>	A	Green	17	27.9	32.1	-	-	-	-
<a href="#">1-953893-1*</a>	B	Gray	17	27.9	32.1	-	-	-	-
<a href="#">2-953893-1*</a>	C	Black	17	27.9	32.1	-	-	953892	-
<a href="#">3-953893-1*</a>	D	Brown	17	27.9	32.1	-	-	-	-
<a href="#">4-953893-1*</a>	E	Blue	17	27.9	32.1	-	-	-	-

\* with 1-4 short circuit springs and reduced number of MQS cavities



26pos MQS Receptacle Housing



**Technical Features**

**No. of Positions:**  
26

**Style:**  
Receptacle Housing

**Contact System:**  
MQS

**Sealed:**  
No

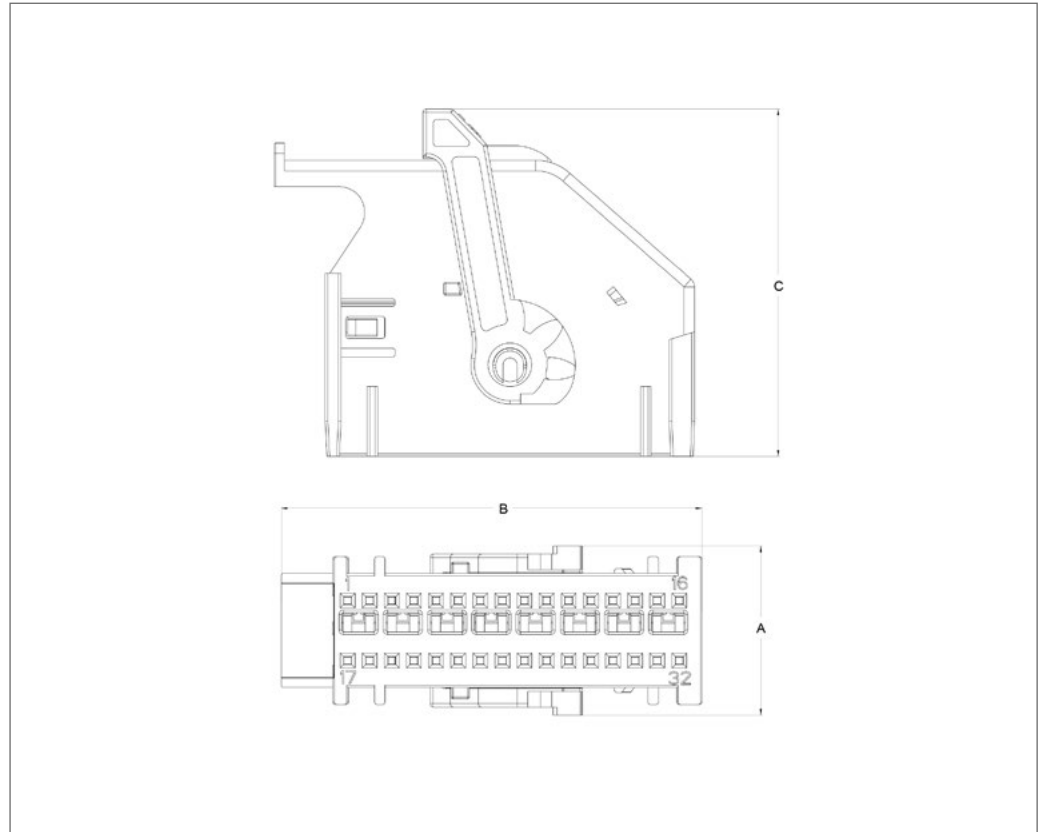
**Application Specification:**  
411-15581

**Product Specification:**  
108-15158

Part Number	Keying Option	Color	Dimensions			Cover & Lever	Retainer	Mating Parts	
			Height (A)	Length (B)	Width (C)			Connector	Header
<a href="#">185875-1</a>	A	Black	8.7	35.2	16	185879-1 or 185879-2	-	-	953236, 953472, 185226, 185534, 185890



## 32pos MQS Receptacle Housing



## Technical Features

**No. of Positions:**  
32

**Style:**  
Receptacle Housing

**Contact System:**  
MQS

**Sealed:**  
No

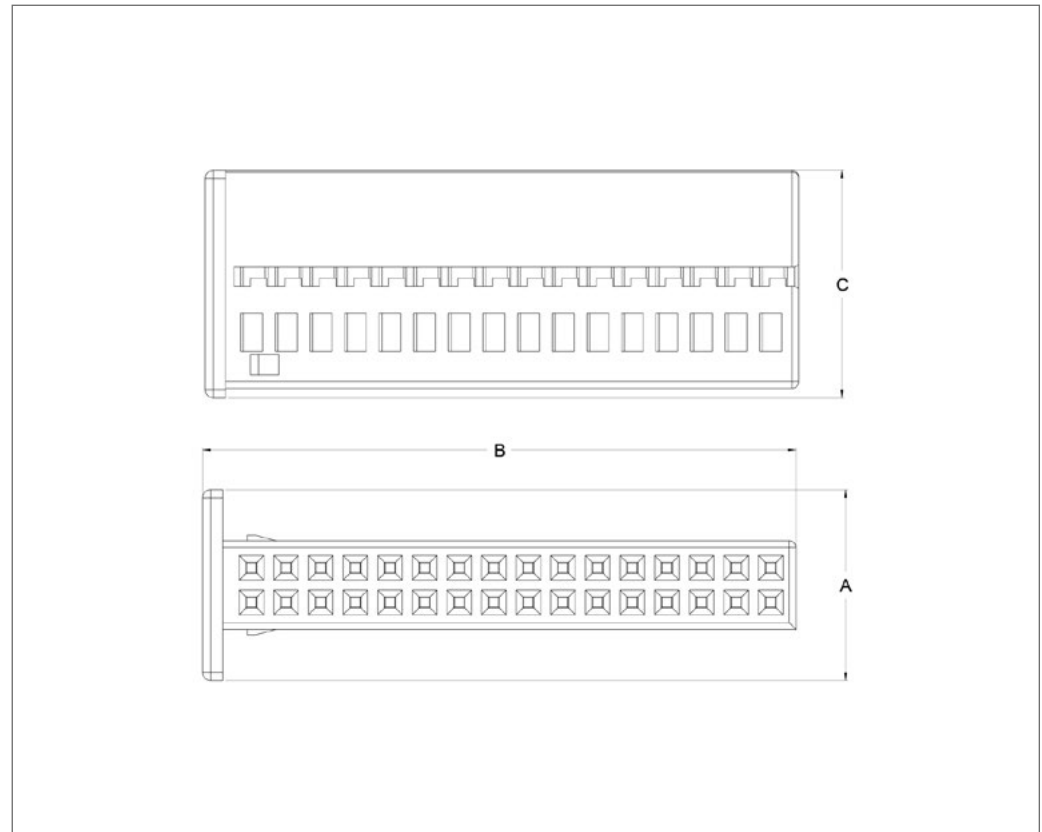
**Application Specification:**  
114-15077

**Product Specification:**  
108-20223

Part Number	Keying Option	Color	Dimensions			Cover & Lever	Retainer	Mating Parts	
			Height (A)	Length (B)	Width (C)			Connector	Header
<a href="#">284223-3</a>	A	Gray	19.4	48.3	39.9	-	-	-	
<a href="#">284223-4</a>	B	Black	19.4	48.3	39.9	-	-	-	1823100
<a href="#">284223-5</a>	C	Brown	19.4	48.3	39.9	-	-	-	(24+32pos)
<a href="#">284223-6</a>	D	Blue	19.4	48.3	39.9	-	-	-	



### 32pos MQS Receptacle Housing



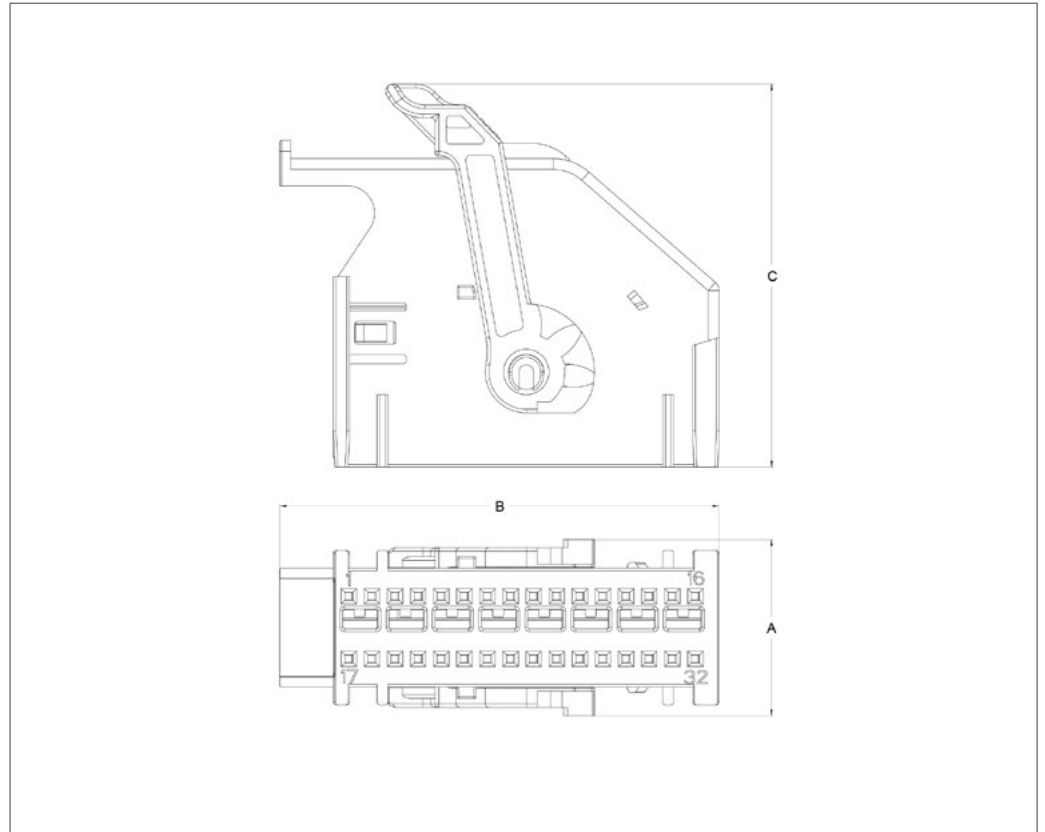
#### Technical Features

- No. of Positions:**  
32
- Style:**  
Receptacle Housing
- Contact System:**  
MQS
- Sealed:**  
No
- Application Specification:**  
114-18174-0
- Product Specification:**  
108-18548-0

Part Number	Keying Option	Color	Dimensions			Cover & Lever	Retainer	Mating Parts	
			Height (A)	Length (B)	Width (C)			Connector	Header
<a href="#">968265-1</a>	A	Black	14	43.55	16.7	929053-1 or 929053-2	-	-	967598, 1418773, 2282279, 968720



## 32pos MQS Receptacle Housing



## Technical Features

**No. of Positions:**  
32

**Style:**  
Receptacle Housing

**Contact System:**  
MQS

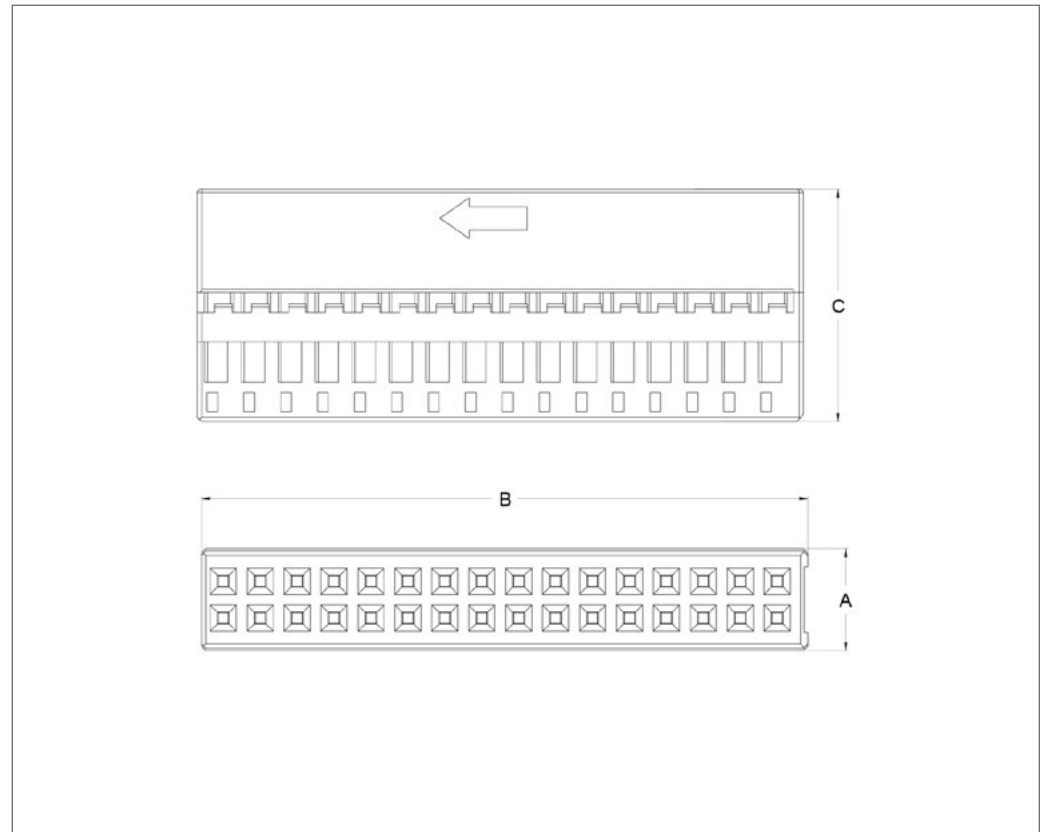
**Sealed:**  
No

**Application Specification:**  
411-20054

**Product Specification:**  
108-20223

Part Number	Keying Option	Color	Dimensions			Cover & Lever	Retainer	Mating Parts	
			Height (A)	Length (B)	Width (C)			Connector	Header
<a href="#">2817816-3</a>	A	Gray	19.4	48.3	42.2	-	-	-	
<a href="#">2817816-4</a>	B	Black	19.4	48.3	42.2	-	-	-	1823100 (24+32pos)
<a href="#">2817816-5</a>	C	Brown	19.4	48.3	42.2	-	-	-	

### 32pos MQS Receptacle Housing



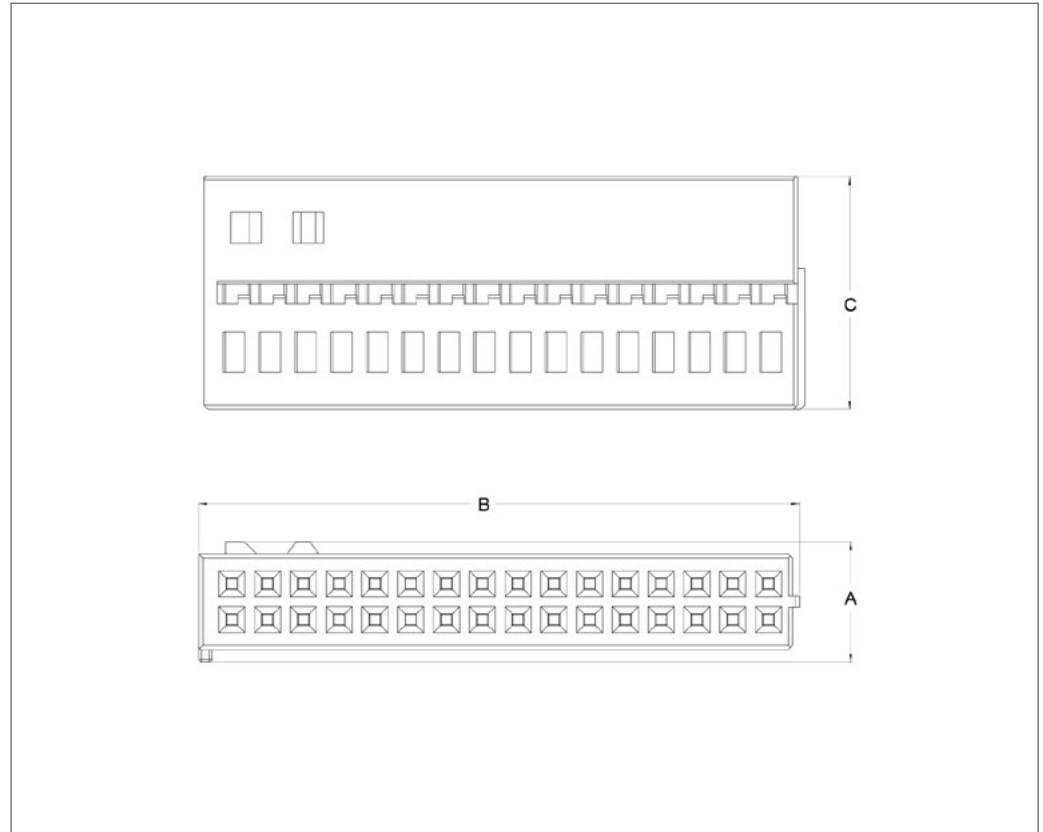
#### Technical Features

- No. of Positions:**  
32
- Style:**  
Receptacle Housing
- Contact System:**  
MQS
- Sealed:**  
No
- Application Specification:**  
114-18630
- Product Specification:**  
108-18924

Part Number	Keying Option	Color	Dimensions			Cover & Lever	Retainer	Mating Parts	
			Height (A)	Length (B)	Width (C)			Connector	Header
<a href="#">142000-1</a>	A	Nature	7	41.7	16	1420001-1 + 1534222-2	-	-	966658



32pos MQS Receptacle Housing



Technical Features

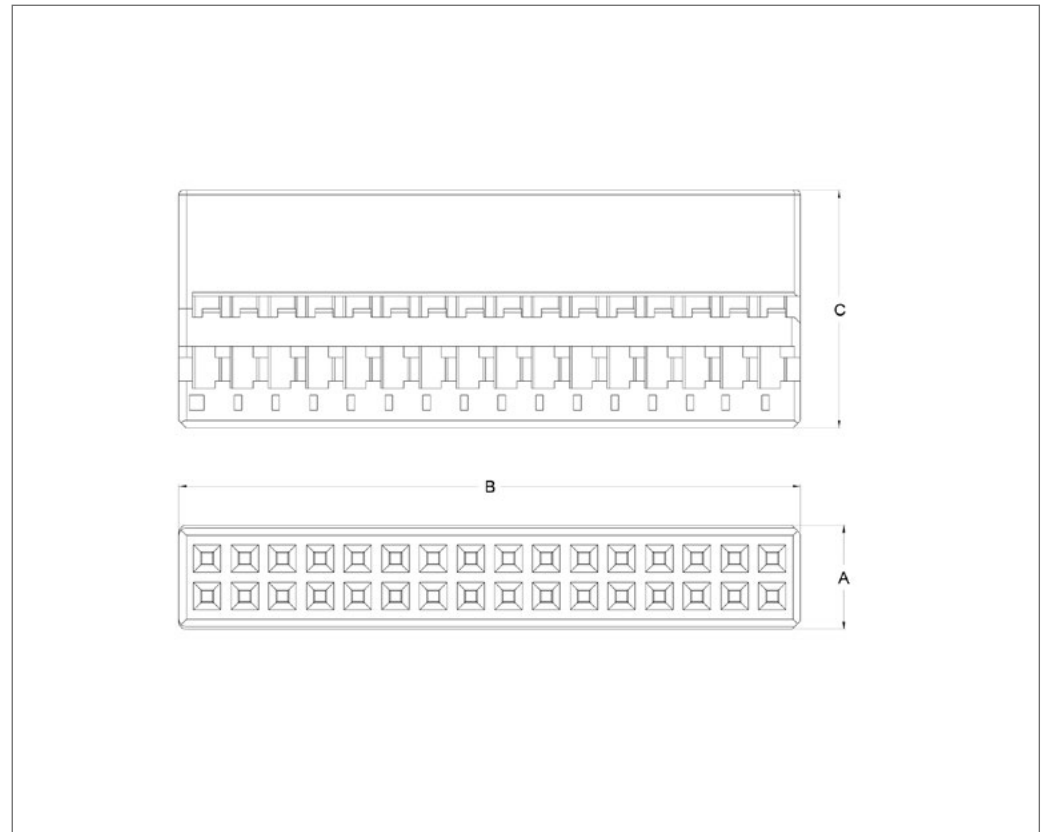
- No. of Positions:**  
32
- Style:**  
Receptacle Housing
- Contact System:**  
MQS
- Sealed:**  
No
- Application Specification:**  
114-18630
- Product Specification:**  
108-18924

Part Number	Keying Option	Color	Dimensions			Cover & Lever	Retainer	Mating Parts	
			Height (A)	Length (B)	Width (C)			Connector	Header
<a href="#">2177833-1</a>	A	Nature	8.55	42.65	16.5	2177836-2	-	-	966658





### 32pos MQS Receptacle Housing



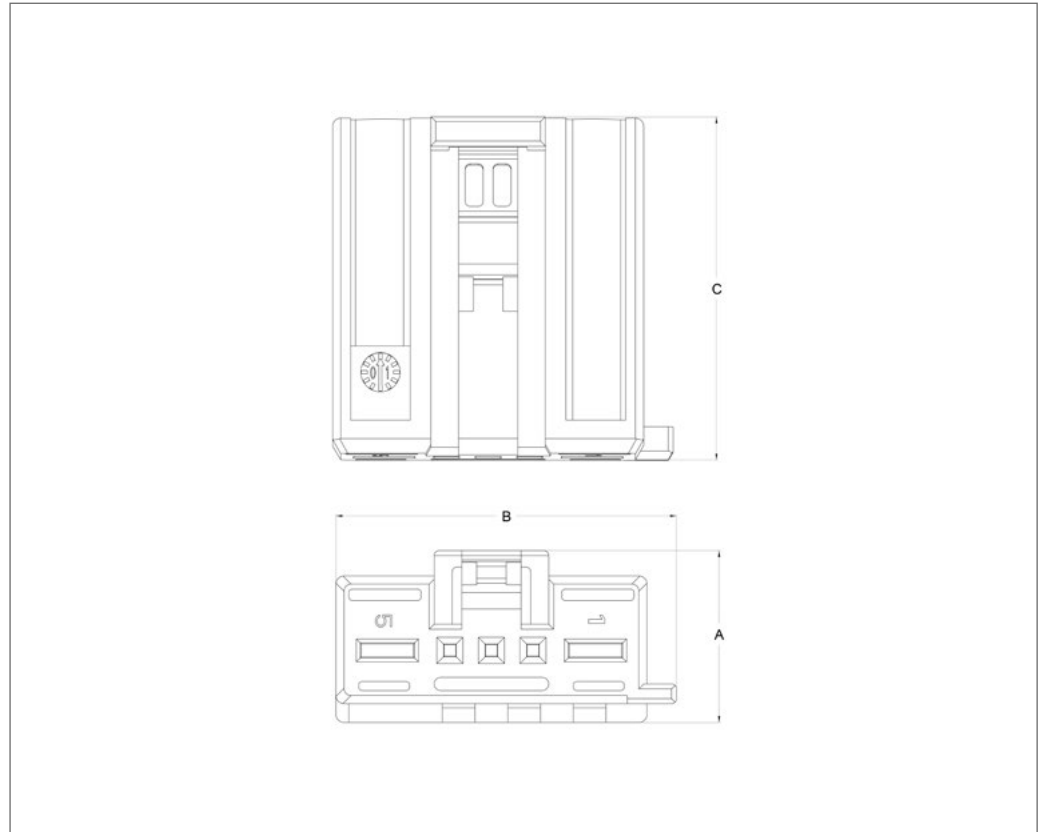
#### Technical Features

- No. of Positions:**  
32
- Style:**  
Receptacle Housing
- Contact System:**  
MQS
- Sealed:**  
No
- Application Specification:**  
-
- Product Specification:**  
-

Part Number	Keying Option	Color	Dimensions			Cover & Lever	Retainer	Mating Parts	
			Height (A)	Length (B)	Width (C)			Connector	Header
<a href="#">965612-2</a>	A	Black	7	41.9	16	2-967348-1, 965343-1	-	-	2282279, 968720, 1418773, 967598



### 5pos MQS and MPQ Receptacle Housing



#### Technical Features

**No. of Positions:**  
5

**Style:**  
Receptacle Housing

**Contact System:**  
MQS 0.63 & MPQ 2.8

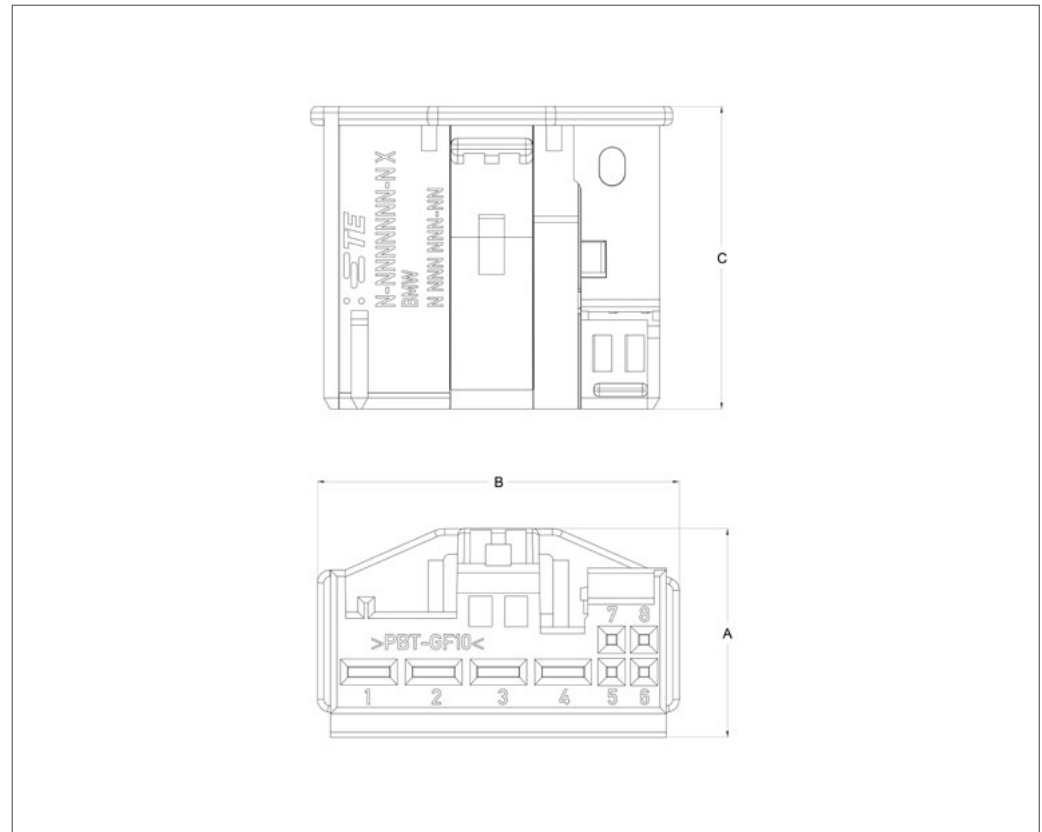
**Sealed:**  
No

**Application Specification:**  
-

**Product Specification:**  
108-15315

Part Number	Keying Option	Color	Dimensions			Cover & Lever	Retainer	Mating Parts	
			Height (A)	Length (B)	Width (C)			Connector	Header
<a href="#">1379217-3</a>	Z	Black	10.5	19	20.5	1379218	-	-	-
<a href="#">1379217-4</a>	Z	White	10.5	19	20.5		-	-	-
<a href="#">1379217-5</a>	A	Black	10.5	20.8	20.5		-	-	-
<a href="#">1379217-6</a>	B	White	10.5	20.8	20.5		-	-	-
<a href="#">1379217-7</a>	C	Blue	10.5	20.8	20.5		-	-	-

### 8pos MQS and MPQ Receptacle Housing



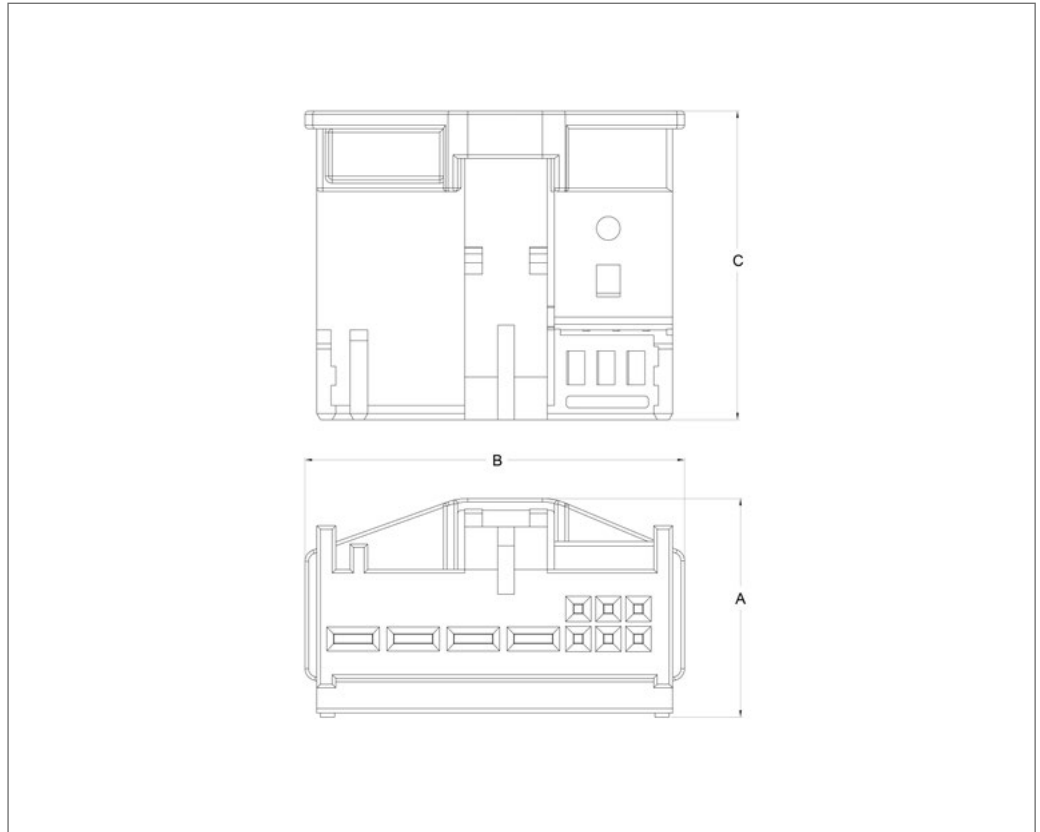
#### Technical Features

- No. of Positions:**  
8
- Style:**  
Receptacle Housing
- Contact System:**  
MQS 0.63 & MPQ 2.8
- Sealed:**  
No
- Application Specification:**  
-
- Product Specification:**  
108-18157

Part Number	Keying Option	Color	Dimensions			Cover & Lever	Retainer	Mating Parts	
			Height (A)	Length (B)	Width (C)			Connector	Header
<a href="#">1-1452693-1</a>	A		16.43	28.4	23.8	1379218	-	1241782	-



10pos MQS and MPQ Receptacle Housing

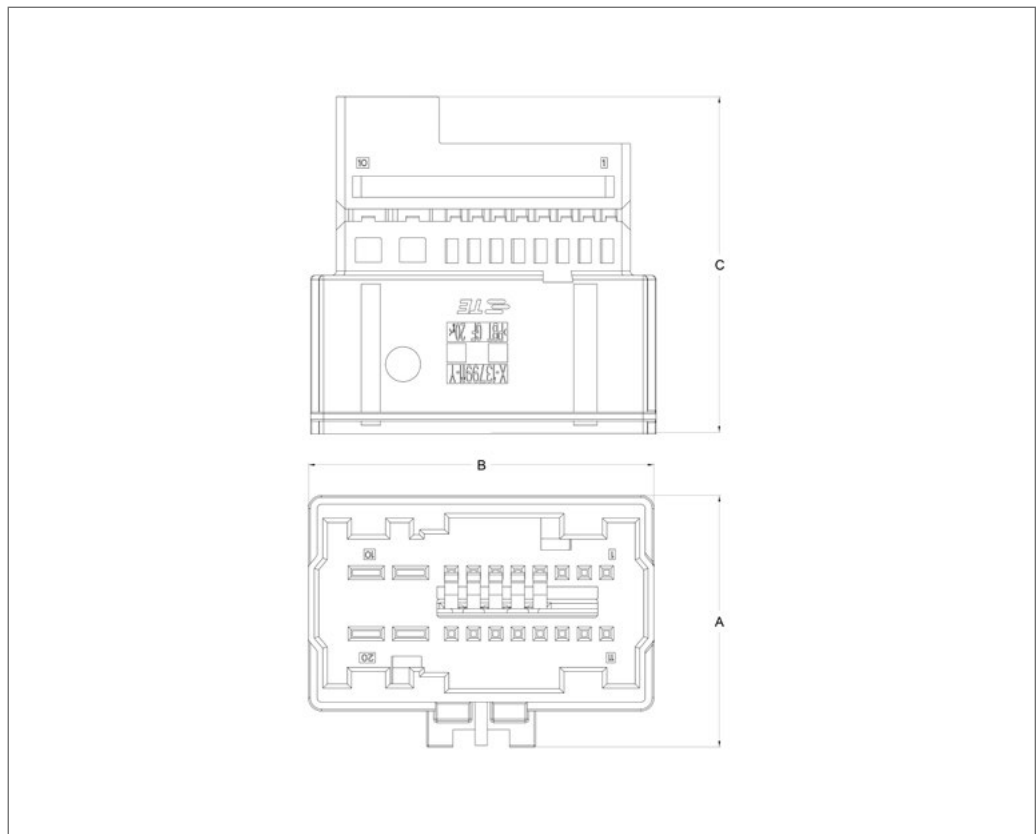


**Technical Features**

- No. of Positions:**  
10
- Style:**  
Receptacle Housing
- Contact System:**  
MQS 0.63 & MPQ 2.8
- Sealed:**  
No
- Application Specification:**  
114-18986
- Product Specification:**  
108-94195

Part Number	Keying Option	Color	Dimensions			Cover & Lever	Retainer	Mating Parts	
			Height (A)	Length (B)	Width (C)			Connector	Header
<a href="#">1564760-1</a>	A	Gray	18.49	32.1	26.1	-	-	-	-

20pos MQS and MPQ Tab Housing with Shunt



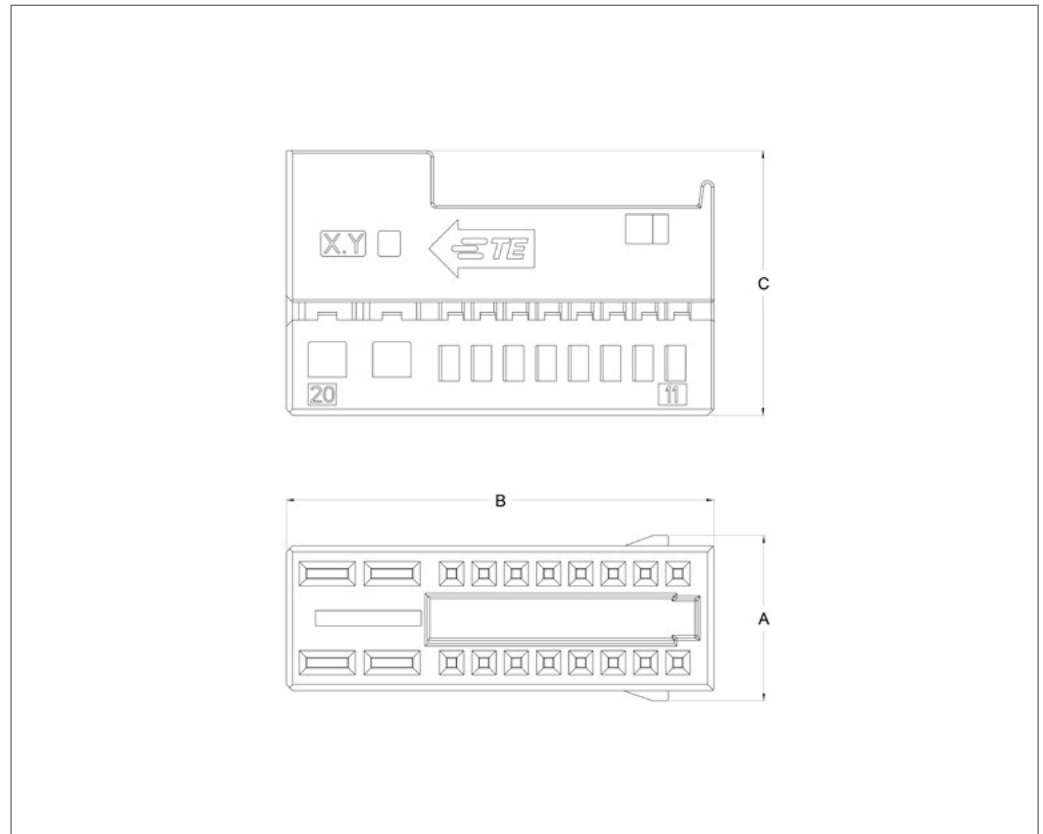
**Technical Features**

- No. of Positions:**  
20
- Style:**  
Tab Housing
- Contact System:**  
MQS 0.63 & MPQ 2.8
- Sealed:**  
No
- Application Specification:**  
411-15698
- Product Specification:**  
108-15343

Part Number	Keying Option	Color	Dimensions			Cover & Lever	Retainer	Mating Parts	
			Height (A)	Length (B)	Width (C)			Connector	Header
<a href="#">1379913-1</a>	A	Yellow	28.85	39.6	38.5	1379918	-	-	-
<a href="#">1379913-2</a>	B	Orange	28.85	39.6	38.5		-	1379914 + 1379917	-
<a href="#">1-1379913-1</a>	A	Yellow	28.85	39.6	38.7		-	-	-
<a href="#">1-1379913-2</a>	B	Orange	28.85	39.6	38.7		-	-	-



20pos MQS and MPQ Receptacle Housing

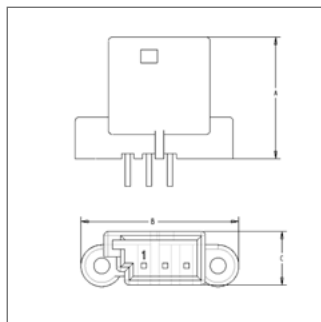
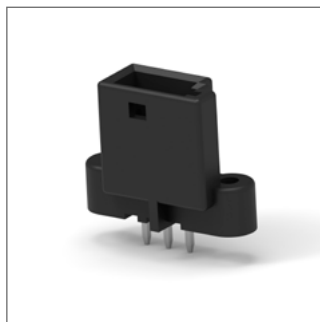


Technical Features

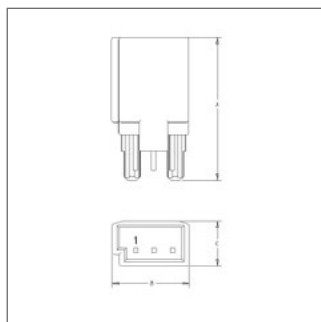
- No. of Positions:**  
20
- Style:**  
Receptacle Housing
- Contact System:**  
MQS 0.63 & MPQ 2.8
- Sealed:**  
No
- Application Specification:**  
-
- Product Specification:**  
108-15343

Part Number	Keying Option	Color	Dimensions			Cover & Lever	Retainer	Mating Parts	
			Height (A)	Length (B)	Width (C)			Connector	Header
<a href="#">1379914-1</a>	Z	Black	13	33.6	20.8	1379917	-	1379913 + 1379918	-

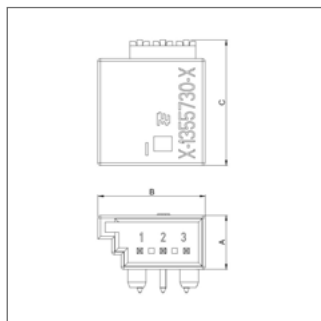
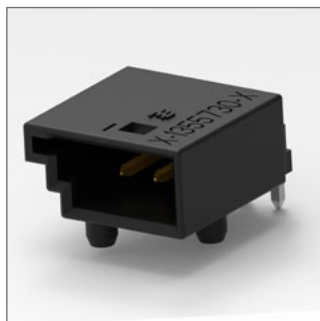
3 Positions Header



No. of Circuits	No. of Rows	Base-PN	PN	Keying	Color	Terminal	Mounting Orientation	Termination Method	Plating	Height (A) [mm]	Length (B) [mm]	Width (C) [mm]	Mating PN
3	1	185730	<a href="#">185730-1</a>	A	Black	MQS 0.63x0.63	180°	Solder - Through Hole	Sn	14.6	18.97	6.61	185308, 185309, 929089, 1718346

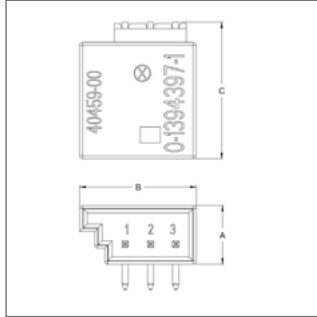


No. of Circuits	No. of Rows	Base-PN	PN	Keying	Color	Terminal	Mounting Orientation	Termination Method	Plating	Height (A) [mm]	Length (B) [mm]	Width (C) [mm]	Mating PN
3	1	1743156	<a href="#">1743156-2</a>	B	Black	MQS 0.63x0.63	180°	Solder - Through Hole	Sn	19.75	10.7	6.2	965444

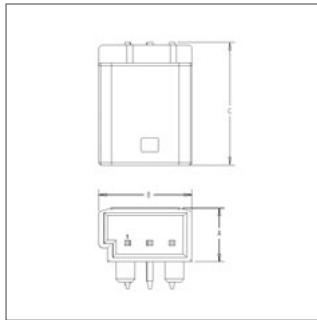
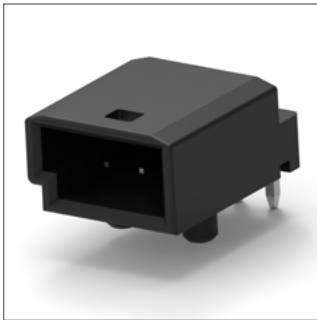


No. of Circuits	No. of Rows	Base-PN	PN	Keying	Color	Terminal	Mounting Orientation	Termination Method	Plating	Height (A) [mm]	Length (B) [mm]	Width (C) [mm]	Mating PN
929089 3	1	1355730	<a href="#">1-1355730-1</a>	A	Black	MQS 0.63x0.63	90°	Solder - Through Hole	Sn	5.9	11.7	13.73	1718346, 929089
3	1	1355730	<a href="#">5-1355730-1</a>	E	Black	MQS 0.63x0.63	90°	Solder - Through Hole	Sn	5.9	10.2	13.73	

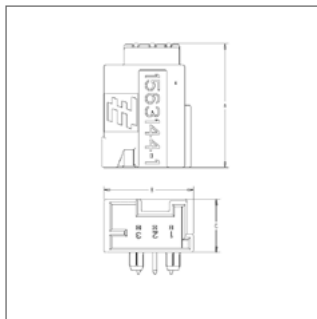
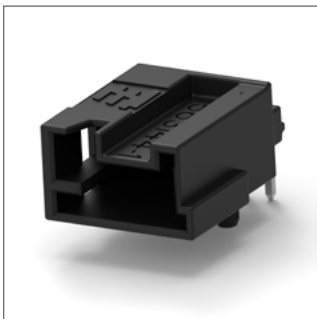
**3 Positions Header**



No. of Circuits	No. of Rows	Base-PN	PN	Keying	Color	Terminal	Mounting Orientation	Termination Method	Plating	Height (A) [mm]	Length (B) [mm]	Width (C) [mm]	Mating PN
3	1	1394397	<a href="#">1394397-1</a>	A	Black	MQS 0.63x0.63	90°	Solder - Through Hole	Sn	5.9	11.7	13.73	1718346, 929089



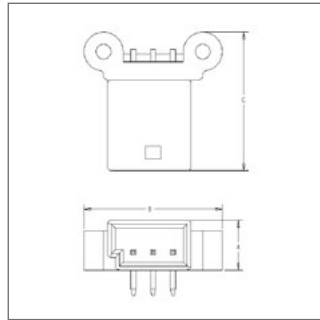
No. of Circuits	No. of Rows	Base-PN	PN	Keying	Color	Terminal	Mounting Orientation	Termination Method	Plating	Height (A) [mm]	Length (B) [mm]	Width (C) [mm]	Mating PN
3	1	368312	<a href="#">368312-1</a>	A	Black	MQS 0.63x0.63	90°	Solder - Through Hole	Sn	6.2	10.7	14.11	965444



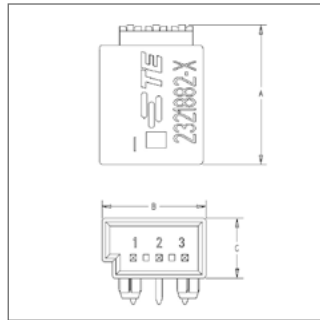
No. of Circuits	No. of Rows	Base-PN	PN	Keying	Color	Terminal	Mounting Orientation	Termination Method	Plating	Height (A) [mm]	Length (B) [mm]	Width (C) [mm]	Mating PN
3	1	1563144	<a href="#">1563144-1</a>	A	Black	MQS 0.63x0.63	90°	THR	Sn	19.33	13.9	8.3	953697



### 3 Positions Header

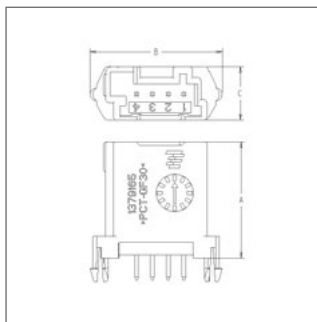
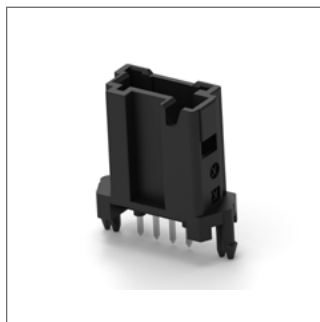


No. of Circuits	No. of Rows	Base-PN	PN	Keying	Color	Terminal	Mounting Orientation	Termination Method	Plating	Height (A) [mm]	Length (B) [mm]	Width (C) [mm]	Mating PN
3	1	967279	<a href="#">967279-1</a>	A	Black	MQS 0.63x0.63	90°	THR	Sn	6.4	17.7	17.82	1718346, 1718346, 929089
3	1	967279	<a href="#">967279-4</a>	D	Black	MQS 0.63x0.63	90°	THR	Sn	6.4	17.7	17.82	1718346

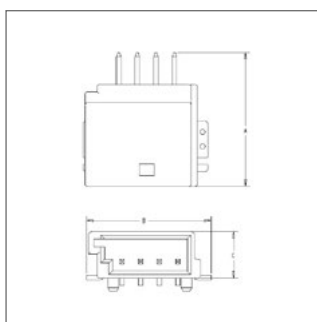


No. of Circuits	No. of Rows	Base-PN	PN	Keying	Color	Terminal	Mounting Orientation	Termination Method	Plating	Height (A) [mm]	Length (B) [mm]	Width (C) [mm]	Mating PN
3	1	2321882	<a href="#">2321882-3</a>	A	Nature	MQS 0.63x0.63	90°	THR	Sn	13.73	10.2	5.9	1718346, 929089
3	1	2321882	<a href="#">2321882-2</a>	A	Nature	MQS 0.63x0.63	90°	THR	Sn	13.73	10.2	5.9	

## 4 Positions Header

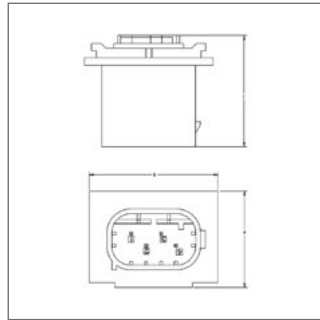


No. of Circuits	No. of Rows	Base-PN	PN	Keying	Color	Terminal	Mounting Orientation	Termination Method	Plating	Height (A) [mm]	Length (B) [mm]	Width (C) [mm]	Mating PN
4	1	1379165	<a href="#">1379165-1</a>	A	Black	MQS 0.63x0.63	180°	THR	Sn	18.7	21.3	8.6	1379029, 2294399
4	1	1379165	<a href="#">1379165-3</a>	C	Blue	MQS 0.63x0.63	180°	THR	Sn	18.7	21.3	8.6	
4	1	1379165	<a href="#">1379165-4</a>	D	Yellow	MQS 0.63x0.63	180°	THR	Sn	18.7	21.3	8.6	
4	1	1379165	<a href="#">1379165-5</a>	E	Gray	MQS 0.63x0.63	180°	THR	Sn	18.7	21.3	8.6	
4	1	1379165	<a href="#">1379165-6</a>	F	Brown	MQS 0.63x0.63	180°	THR	Sn	18.7	21.3	8.6	
4	1	1379165	<a href="#">1379165-7</a>	A	Black	MQS 0.63x0.63	180°	THR	Sn	20.9	21.3	8.6	

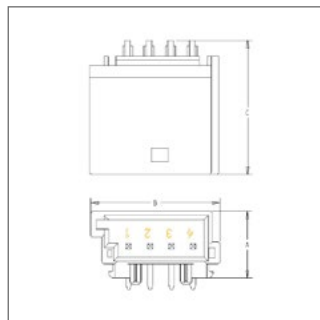


No. of Circuits	No. of Rows	Base-PN	PN	Keying	Color	Terminal	Mounting Orientation	Termination Method	Plating	Height (A) [mm]	Length (B) [mm]	Width (C) [mm]	Mating PN
4	1	967688	<a href="#">967688-1</a>	A	Black	MQS 0.63x0.63	90°	SMD	Sn	6,6	17,1	14,8	968813

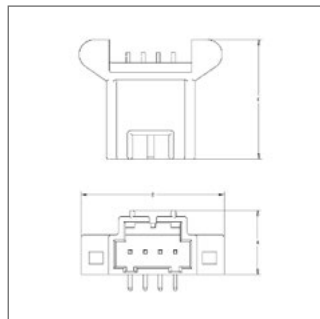
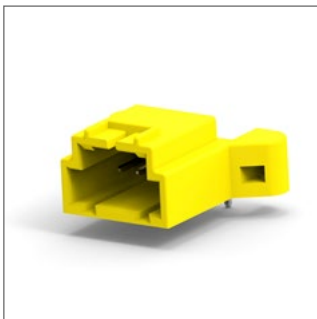
4 Positions Header



No. of Circuits	No. of Rows	Base-PN	PN	Keying	Color	Terminal	Mounting Orientation	Termination Method	Plating	Height (A) [mm]	Length (B) [mm]	Width (C) [mm]	Mating PN
4	2	967657	<a href="#">1-967657-1</a>	A	Black	MQS 0.63x0.63	90°	Solder - Through Hole	Sn	20.1	26.8	23.3	967640, 1379799

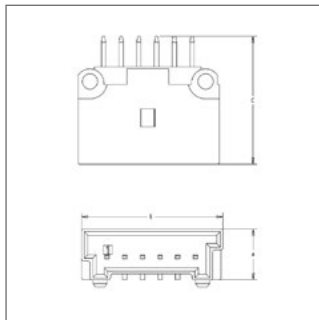


No. of Circuits	No. of Rows	Base-PN	PN	Keying	Color	Terminal	Mounting Orientation	Termination Method	Plating	Height (A) [mm]	Length (B) [mm]	Width (C) [mm]	Mating PN
4	1	1355897	<a href="#">1-1355897-1</a>	A	Black	MQS 0.63x0.63	90°	Solder - Through Hole	Sn	14.38	15.3	15.83	1241634
4	1	1355897	<a href="#">1-1355897-2</a>	A	Black	MQS 0.63x0.63	90°	Solder - Through Hole	Sn	14.38	15.3	15.83	

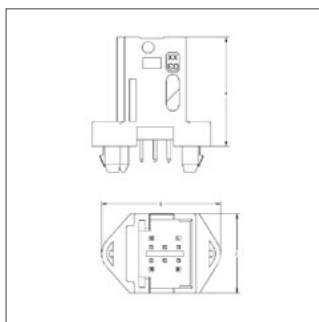


No. of Circuits	No. of Rows	Base-PN	PN	Keying	Color	Terminal	Mounting Orientation	Termination Method	Plating	Height (A) [mm]	Length (B) [mm]	Width (C) [mm]	Mating PN
4	1	1743218	<a href="#">1743218-5</a>	A	Yellow	MQS 0.63x0.63	90°	Solder - Through Hole	Sn	10.8	24.2	20.2	936119

**6 Positions Header**

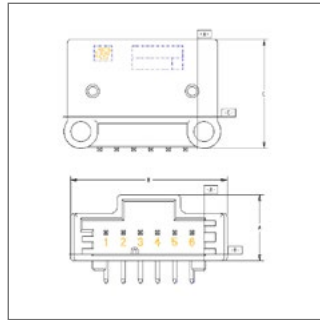


No. of Circuits	No. of Rows	Base-PN	PN	Keying	Color	Terminal	Mounting Orientation	Termination Method	Plating	Height (A) [mm]	Length (B) [mm]	Width (C) [mm]	Mating PN
6	1	969682	<a href="#">2-969682-1</a>	A	Black	MQS 0.63x0.63	90°	SMD	Sn	7.3	20.4	18.4	1241370
6	1	969682	<a href="#">2-969682-2</a>	B	Nature	MQS 0.63x0.63	90°	SMD	Sn	7.3	20	18.4	

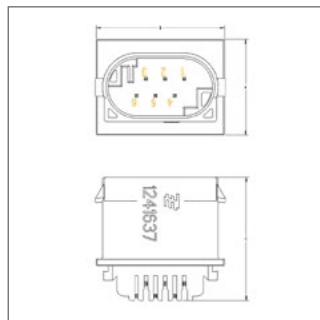


No. of Circuits	No. of Rows	Base-PN	PN	Keying	Color	Terminal	Mounting Orientation	Termination Method	Plating	Height (A) [mm]	Length (B) [mm]	Width (C) [mm]	Mating PN
6	2	1379816	<a href="#">1-1379816-1</a>	A	Black	MQS 0.63x0.63	180°	THR	Sn	20.7	22.4	15	953382, 953381, 185311
6	2	1379816	<a href="#">1-1379816-4</a>	B	Brown	MQS 0.63x0.63	180°	THR	Sn	20.7	22.4	15	
6	2	1379816	<a href="#">1379816-4</a>	B	Brown	MQS 0.63x0.63	180°	Solder - Through Hole	Sn	20.7	22.4	15	
6	2	1379816	<a href="#">2-1379816-4</a>	B	Brown	MQS 0.63x0.63	180°	THR	Sn	20.7	22.4	15	

6 Positions Header

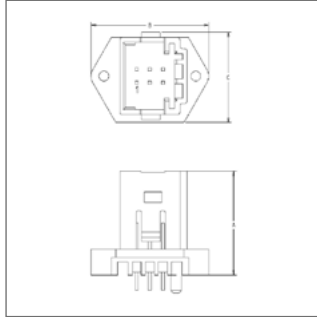
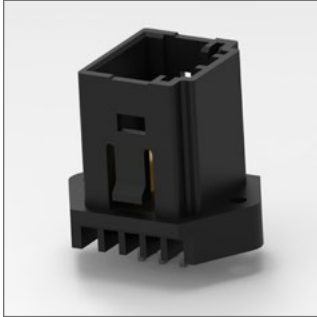


No. of Circuits	No. of Rows	Base-PN	PN	Keying	Color	Terminal	Mounting Orientation	Termination Method	Plating	Height (A) [mm]	Length (B) [mm]	Width (C) [mm]	Mating PN
6	1	1418888	<a href="#">1-1418888-5</a>	A	Black	MQS 0.63x0.63	90°	THR	Sn	9.8	23.2	16.2	969508
6	1	1418888	<a href="#">3-1418888-2</a>	C	Blue	MQS 0.63x0.63	90°	THR	Sn	9.8	23.2	16.2	

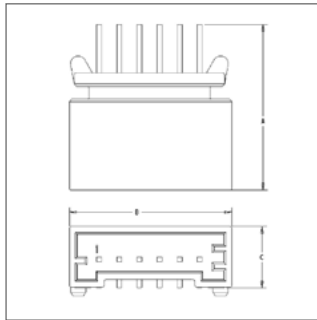


No. of Circuits	No. of Rows	Base-PN	PN	Keying	Color	Terminal	Mounting Orientation	Termination Method	Plating	Height (A) [mm]	Length (B) [mm]	Width (C) [mm]	Mating PN
6	2	1241637	<a href="#">1241637-1</a>	A	Black	MQS 0.63x0.63	90°	Solder - Through Hole	Sn	20	26.8	25.9	967616, 1563872
6	2	1241637	<a href="#">1241637-3</a>	A	Black	MQS 0.63x0.63	90°	Solder - Through Hole	Sn	20	26.8	25.9	

## 6 Positions Header

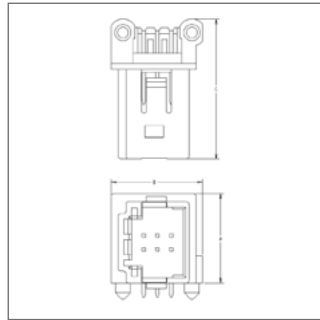


No. of Circuits	No. of Rows	Base-PN	PN	Keying	Color	Terminal	Mounting Orientation	Termination Method	Plating	Height (A) [mm]	Length (B) [mm]	Width (C) [mm]	Mating PN
6	2	953363	<a href="#">953363-1</a>	N/A	Black	MQS 0.63x0.63	180°	Solder - Through Hole	Sn	20.1	22.78	17.5	953382, 953381, 185311
6	2	953363	<a href="#">953363-3</a>	N/A	Brown	MQS 0.63x0.63	180°	Solder - Through Hole	Sn	20.1	22.44	17.5	

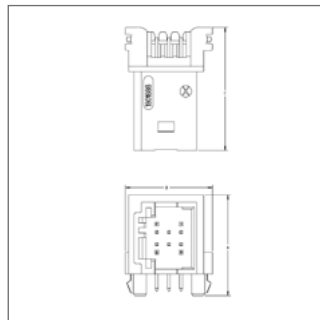
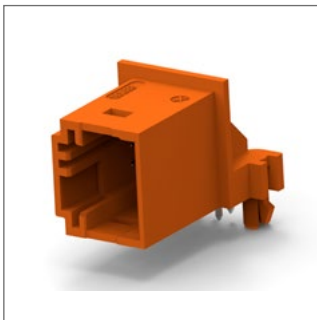


No. of Circuits	No. of Rows	Base-PN	PN	Keying	Color	Terminal	Mounting Orientation	Termination Method	Plating	Height (A) [mm]	Length (B) [mm]	Width (C) [mm]	Mating PN
6	1	2317023	<a href="#">2317023-1</a>	A	Black	MQS 0.63x0.63	90°	SMD	Sn	20.94	20.55	7.8	1241370
6	1	2317023	<a href="#">2317023-2</a>	B	Natural	MQS 0.63x0.63	90°	SMD	Sn	20.94	20.55	7.8	

6 Positions Header

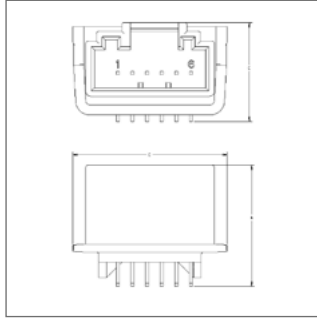
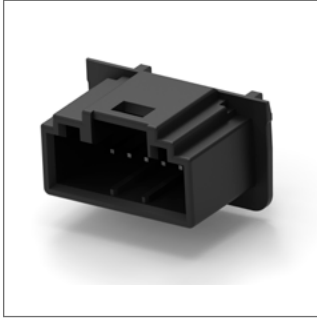


No. of Circuits	No. of Rows	Base-PN	PN	Keying	Color	Terminal	Mounting Orientation	Termination Method	Plating	Height (A) [mm]	Length (B) [mm]	Width (C) [mm]	Mating PN
6	2	953440	<a href="#">953440-1</a>	A	Black	MQS 0.63x0.63	90°	Solder - Through Hole	Sn	16.5	16.8	25.8	
6	2	953440	<a href="#">953440-3</a>	B	Brown	MQS 0.63x0.63	90°	Solder - Through Hole	Sn	16.5	16.8	25.8	953382, 185311
6	2	953440	<a href="#">953440-4</a>	C	Green	MQS 0.63x0.63	90°	Solder - Through Hole	Sn	16.5	16.8	25.8	

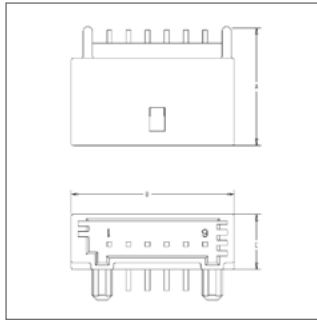
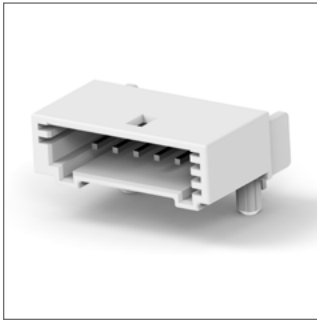


No. of Circuits	No. of Rows	Base-PN	PN	Keying	Color	Terminal	Mounting Orientation	Termination Method	Plating	Height (A) [mm]	Length (B) [mm]	Width (C) [mm]	Mating PN
6	2	1801688	<a href="#">1801688-1</a>	A	Brown	MQS 0.63x0.63	90°	THR	Sn	21	18,12	25,8	953382, 185311

## 6 Positions Header



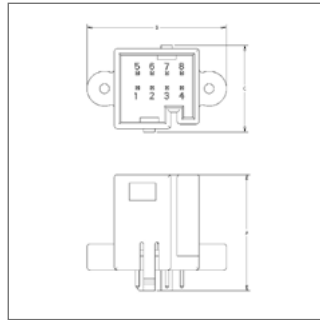
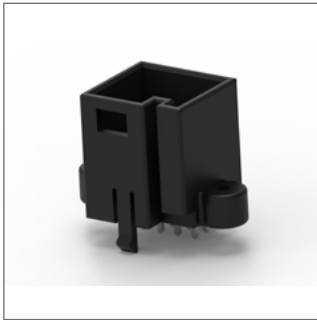
No. of Circuits	No. of Rows	Base-PN	PN	Keying	Color	Terminal	Mounting Orientation	Termination Method	Plating	Height (A) [mm]	Length (B) [mm]	Width (C) [mm]	Mating PN
6	1	1394090	<a href="#">1394090-1</a>	A	Black	MQS 0.63x0.63	90°	Solder - Through Hole	Sn	23,71	30,2	19,395	969489, 1355081



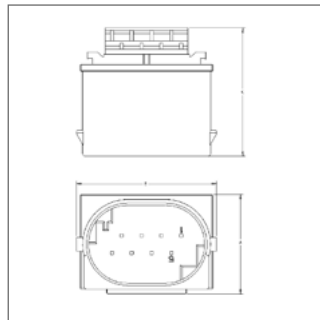
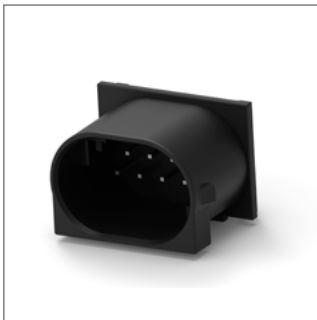
No. of Circuits	No. of Rows	Base-PN	PN	Keying	Color	Terminal	Mounting Orientation	Termination Method	Plating	Height (A) [mm]	Length (B) [mm]	Width (C) [mm]	Mating PN
6	1	936287	<a href="#">936287-2</a>	B	Natural	MQS 0.63x0.63	90°	Solder - Through Hole	Sn	15.62	21.6	7.35	936289
6	1	936287	<a href="#">2-936287-2</a>	B	Black	MQS 0.63x0.63	90°	Solder - Through Hole	Sn	15.62	21.6	7.35	



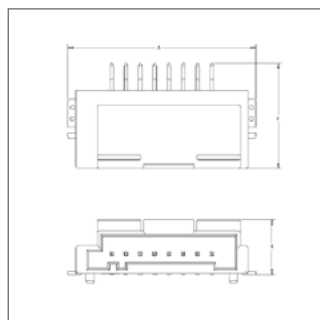
8 Positions Header



No. of Circuits	No. of Rows	Base-PN	PN	Keying	Color	Terminal	Mounting Orientation	Termination Method	Plating	Height (A) [mm]	Length (B) [mm]	Width (C) [mm]	Mating PN
8	2	1355211	<a href="#">1-1355211-2</a>	A	Black	MQS 0.63x0.63	180°	Solder - Through Hole	Sn	20.1	24	15	1670459, 1564013, 965601

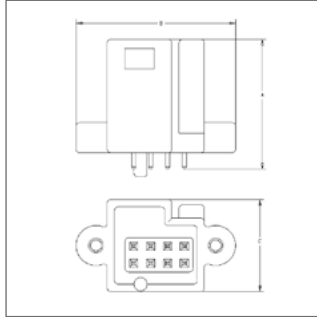


No. of Circuits	No. of Rows	Base-PN	PN	Keying	Color	Terminal	Mounting Orientation	Termination Method	Plating	Height (A) [mm]	Length (B) [mm]	Width (C) [mm]	Mating PN
8	2	967658	<a href="#">1-967658-1</a>	A	Black	MQS 0.63x0.63	90°	Solder - Through Hole	Sn	20.1	28.2	25.9	1534229



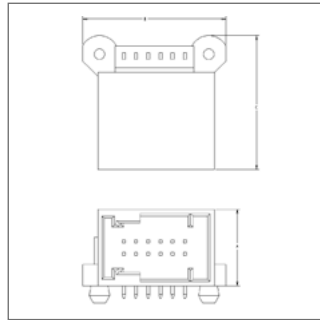
No. of Circuits	No. of Rows	Base-PN	PN	Keying	Color	Terminal	Mounting Orientation	Termination Method	Plating	Height (A) [mm]	Length (B) [mm]	Width (C) [mm]	Mating PN
8	1	1670643	<a href="#">1670643-2</a>	A	Black	MQS 0.63x0.63	90°	SMD	Sn	9.8	33.3	18.8	1394921

8 Positions Header

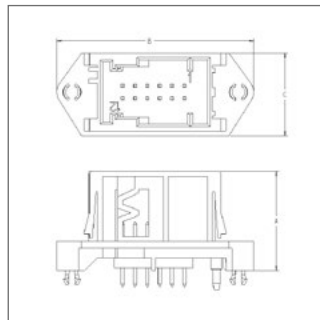
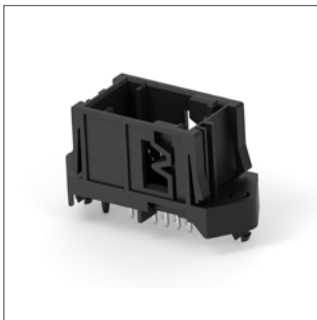


No. of Circuits	No. of Rows	Base-PN	PN	Keying	Color	Terminal	Mounting Orientation	Termination Method	Plating	Height (A) [mm]	Length (B) [mm]	Width (C) [mm]	Mating PN
8	2	1670887	<a href="#">1670887-1</a>	A	Black	MQS 0.63x0.63	180°	THR	Sn	19.5	24	19.5	1670459, 1564013, 965601

### 12 Positions Header

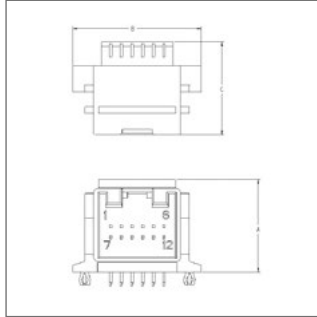
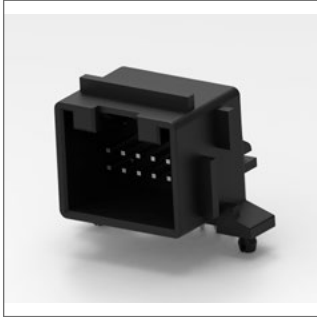


No. of Circuits	No. of Rows	Base-PN	PN	Keying	Color	Terminal	Mounting Orientation	Termination Method	Plating	Height (A) [mm]	Length (B) [mm]	Width (C) [mm]	Mating PN
12	2	185740	<a href="#">185740-1</a>	N/A	Black	MQS 0.63x0.63	90°	Solder - Through Hole	Sn	16	29.8	28	1379095, 1379219, 1379096, 1379219
12	2	185740	<a href="#">185740-2</a>	N/A	Blue	MQS 0.63x0.63	90°	Solder - Through Hole	Sn	16	29.8	28	
12	2	185740	<a href="#">185740-3</a>	N/A	Brown	MQS 0.63x0.63	90°	Solder - Through Hole	Sn	16	29.8	28	

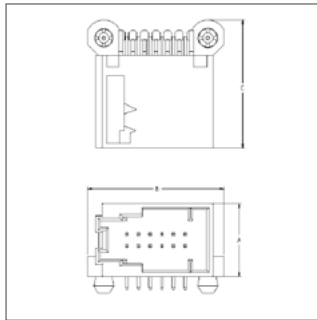
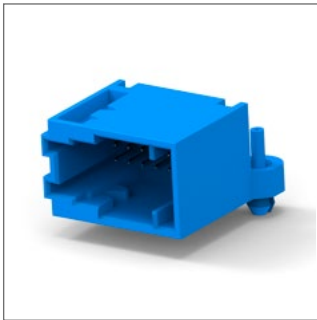


No. of Circuits	No. of Rows	Base-PN	PN	Keying	Color	Terminal	Mounting Orientation	Termination Method	Plating	Height (A) [mm]	Length (B) [mm]	Width (C) [mm]	Mating PN
12	2	1379114	<a href="#">1379114-1</a>	N/A	Black	MQS 0.63x0.63	180°	Solder - Through Hole	Sn	20.3	40.3	17	1379095, 1379219, 1379096, 1379219
12	2	1379114	<a href="#">1379114-2</a>	N/A	Blue	MQS 0.63x0.63	180°	Solder - Through Hole	Sn	20.3	40.3	17	
12	2	1379114	<a href="#">1379114-3</a>	N/A	Brown	MQS 0.63x0.63	180°	Solder - Through Hole	Sn	20.3	40.3	17	

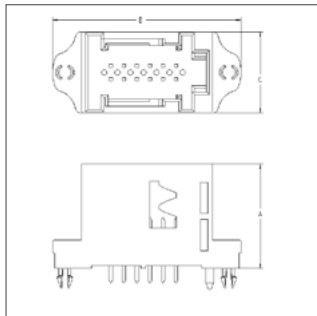
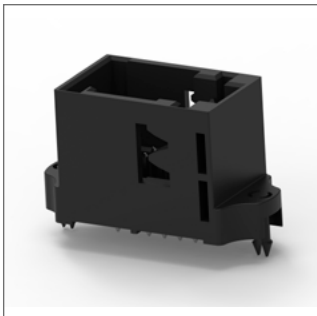
12 Positions Header



No. of Circuits	No. of Rows	Base-PN	PN	Keying	Color	Terminal	Mounting Orientation	Termination Method	Plating	Height (A) [mm]	Length (B) [mm]	Width (C) [mm]	Mating PN
12	2	967250	<a href="#">1-967250-1</a>	N/A	Black	MQS 0.63x0.63	90°	Solder - Through Hole	Sn	21.6	30	21.7	1534100, 1534093, 1534100, 1534096

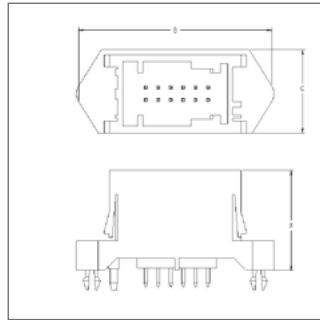


No. of Circuits	No. of Rows	Base-PN	PN	Keying	Color	Terminal	Mounting Orientation	Termination Method	Plating	Height (A) [mm]	Length (B) [mm]	Width (C) [mm]	Mating PN
12	2	1379030	<a href="#">1379030-1</a>	N/A	Blue	MQS 0.63x0.63	90°	Solder - Through Hole	Sn	16	29.8	28	1379095, 1379219, 1379096, 1379219
12	2	1379030	<a href="#">1379030-3</a>	N/A	Brown	MQS 0.63x0.63	90°	Solder - Through Hole	Sn	16	29.65	27.9	1379095, 1379219, 1379096, 1379219

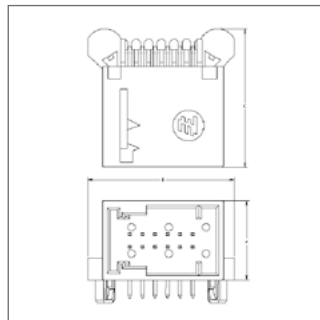


No. of Circuits	No. of Rows	Base-PN	PN	Keying	Color	Terminal	Mounting Orientation	Termination Method	Plating	Height (A) [mm]	Length (B) [mm]	Width (C) [mm]	Mating PN
12	2	1719039	<a href="#">1-1719039-7</a>	A	Black	MQS 0.63x0.63	180°	THR	Sn	20.35	36.7	15.8	929051-1, 968473-1

### 12 Positions Header

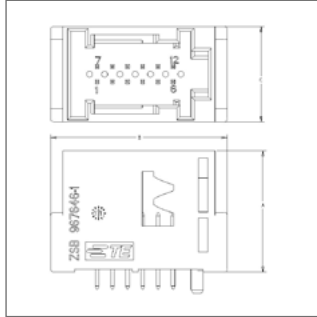


No. of Circuits	No. of Rows	Base-PN	PN	Keying	Color	Terminal	Mounting Orientation	Termination Method	Plating	Height (A) [mm]	Length (B) [mm]	Width (C) [mm]	Mating PN
12	2	953130	<a href="#">953130-1</a>	N/A	Black	MQS 0.63x0.63	180°	Solder - Through Hole	Sn	20.3	39.35	17	
12	2	953130	<a href="#">953130-2</a>	N/A	Blue	MQS 0.63x0.63	180°	Solder - Through Hole	Sn	20.3	40.3	17	1379095, 1379219, 1379096, 1379219-1
12	2	953130	<a href="#">953130-3</a>	N/A	Brown	MQS 0.63x0.63	180°	Solder - Through Hole	Sn	20.3	39.35	17	



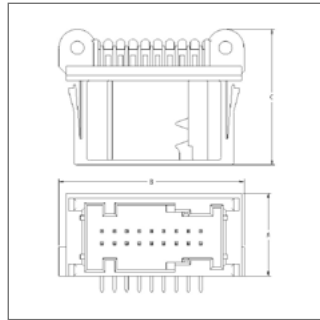
No. of Circuits	No. of Rows	Base-PN	PN	Keying	Color	Terminal	Mounting Orientation	Termination Method	Plating	Height (A) [mm]	Length (B) [mm]	Width (C) [mm]	Mating PN
12	2	1801434	<a href="#">1801434-1</a>	N/A	Black	MQS 0.63x0.63	90°	THR	Sn	16	29.557	27.9	1379095, 1379219, 1379096, 1379219
12	2	1801434	<a href="#">1801434-2</a>	N/A	Brown	MQS 0.63x0.63	90°	THR	Sn	16	29.55	27.9	

12 Positions Header

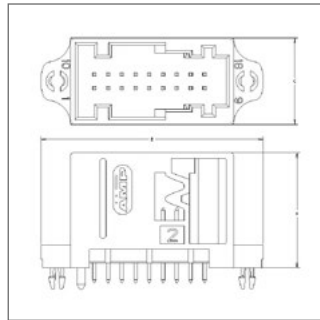
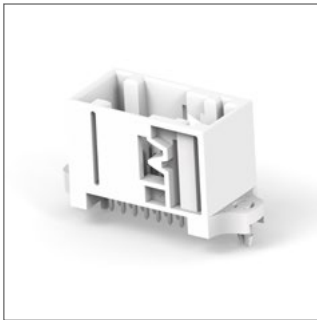


No. of Circuits	No. of Rows	Base-PN	PN	Keying	Color	Terminal	Mounting Orientation	Termination Method	Plating	Height (A) [mm]	Length (B) [mm]	Width (C) [mm]	Mating PN
12	2	967646	<a href="#">967646-1</a>	A	Black	MQS 0.63x0.63	180°	Solder - Through Hole	Au	20.2	29.4	15.9	929051, 968473

18 Positions Header

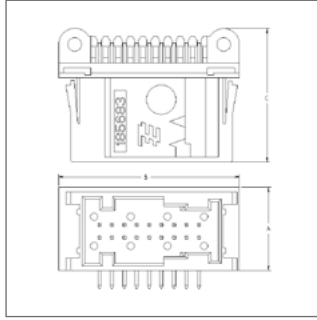


No. of Circuits	No. of Rows	Base-PN	PN	Keying	Color	Terminal	Mounting Orientation	Termination Method	Plating	Height (A) [mm]	Length (B) [mm]	Width (C) [mm]	Mating PN
18	2	963539	<a href="#">1-963539-1</a>	A	Black	MQS 0.63x0.63	90°	Solder - Through Hole	Au	17	38.08	27.9	1355348, 1355350
18	2	963539	<a href="#">1-963539-2</a>	A	Black	MQS 0.63x0.63	90°	Solder - Through Hole	Au	17	38.08	27.9	

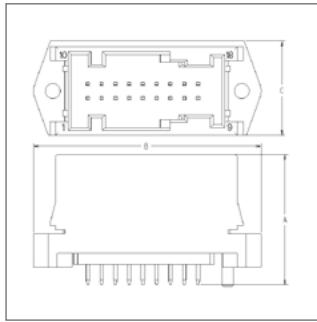


No. of Circuits	No. of Rows	Base-PN	PN	Keying	Color	Terminal	Mounting Orientation	Termination Method	Plating	Height (A) [mm]	Length (B) [mm]	Width (C) [mm]	Mating PN
18	2	953264	<a href="#">953264-1</a>	N/A	White	MQS 0.63x0.63	180°	THR	Sn	21.2	41	16	1379100, 1379101, 1379102
18	2	953264	<a href="#">953264-2</a>	N/A	Black	MQS 0.63x0.63	180°	THR	Sn	21.2	41	16	

## 18 Positions Header



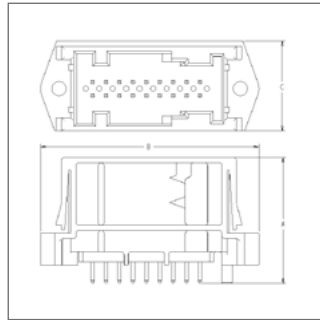
No. of Circuits	No. of Rows	Base-PN	PN	Keying	Color	Terminal	Mounting Orientation	Termination Method	Plating	Height (A) [mm]	Length (B) [mm]	Width (C) [mm]	Mating PN
18	2	185683	<a href="#">185683-1</a>	N/A	Black	MQS 0.63x0.63	90°	Solder - Through Hole	Sn	17	37	27.35	1379100, 1379101, 1379102
18	2	185683	<a href="#">185683-2</a>	N/A	White	MQS 0.63x0.63	90°	Solder - Through Hole	Sn	17	37	27.35	



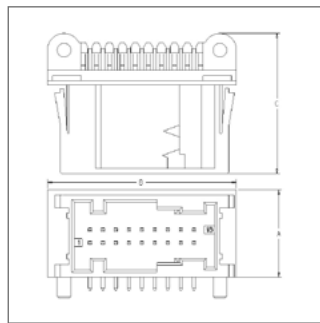
No. of Circuits	No. of Rows	Base-PN	PN	Keying	Color	Terminal	Mounting Orientation	Termination Method	Plating	Height (A) [mm]	Length (B) [mm]	Width (C) [mm]	Mating PN
18	2	963540	<a href="#">1-963540-1</a>	A	Black	MQS 0.63x0.63	180°	Solder - Through Hole	Sn	23.5	41.29	17	1355348, 1355350



18 Positions Header

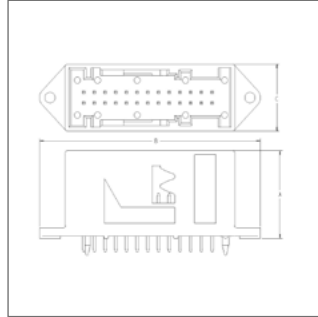
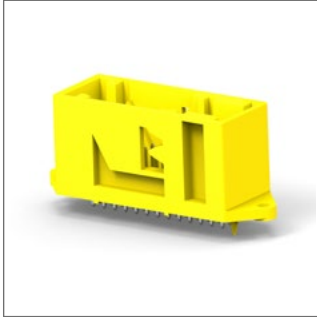


No. of Circuits	No. of Rows	Base-PN	PN	Keying	Color	Terminal	Mounting Orientation	Termination Method	Plating	Height (A) [mm]	Length (B) [mm]	Width (C) [mm]	Mating PN
18	2	1355154	<a href="#">1-1355154-1</a>	A	Black	MQS 0.63x0.63	180°	Solder - Through Hole	Sn	23.8	41.29	17	1355348, 1355350
18	2	1355154	<a href="#">2-1355154-1</a>	B	Natural	MQS 0.63x0.63	180°	Solder - Through Hole	Sn	20.3	41.29	17	

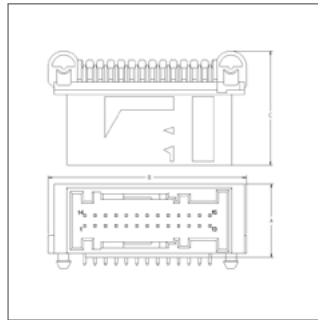
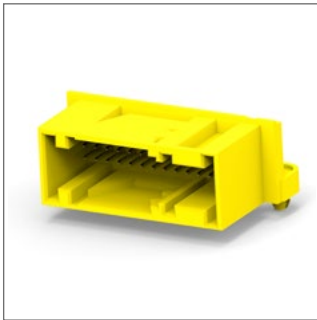


No. of Circuits	No. of Rows	Base-PN	PN	Keying	Color	Terminal	Mounting Orientation	Termination Method	Plating	Height (A) [mm]	Length (B) [mm]	Width (C) [mm]	Mating PN
18	2	1379731	<a href="#">1379731-1</a>	A	Black	MQS 0.63x0.63	90°	THR	Sn	21	37	27.34	1379100, 1379101, 1379102
18	2	1379731	<a href="#">1379731-3</a>	B	Blue	MQS 0.63x0.63	90°	THR	Sn	21	37	27.34	

## 26 Positions Header

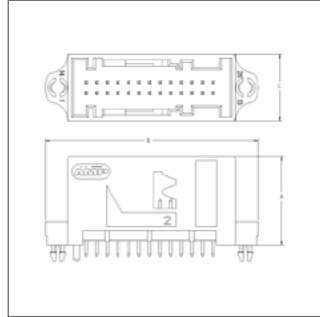
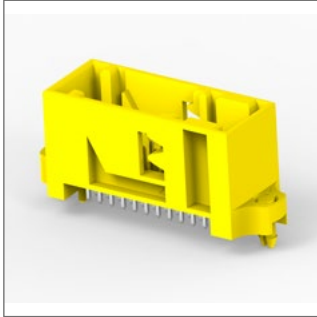


No. of Circuits	No. of Rows	Base-PN	PN	Keying	Color	Terminal	Mounting Orientation	Termination Method	Plating	Height (A) [mm]	Length (B) [mm]	Width (C) [mm]	Mating PN
26	2	185226	<a href="#">185226-1</a>	A	Yellow	MQS 0.63x0.63	180°	Solder - Through Hole	Sn	20.9	52.48	16	185875, 185879
26	2	185226	<a href="#">185226-2</a>	B	Blue	MQS 0.63x0.63	180°	Solder - Through Hole	Sn	20.9	52.48	16	



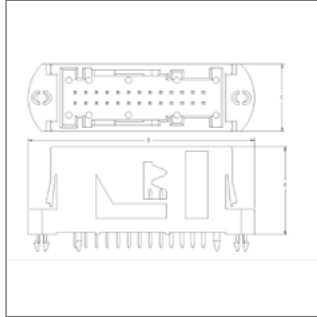
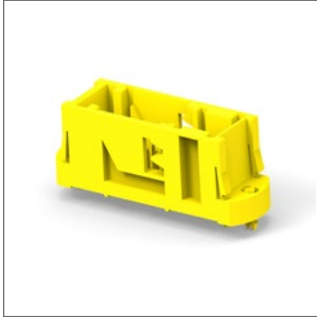
No. of Circuits	No. of Rows	Base-PN	PN	Keying	Color	Terminal	Mounting Orientation	Termination Method	Plating	Height (A) [mm]	Length (B) [mm]	Width (C) [mm]	Mating PN
26	2	185534	<a href="#">185534-1</a>	N/A	Yellow	MQS 0.63x0.63	90°	Solder - Through Hole	Sn	18	48.24	27.9	185875, 185879
26	2	185534	<a href="#">185534-2</a>	N/A	Blue	MQS 0.63x0.63	90°	Solder - Through Hole	Sn	18	48.24	27.9	
26	2	185534	<a href="#">185534-3</a>	N/A	Yellow	MQS 0.63x0.63	90°	Solder - Through Hole	Sn	18	48.24	27.9	

### 26 Positions Header

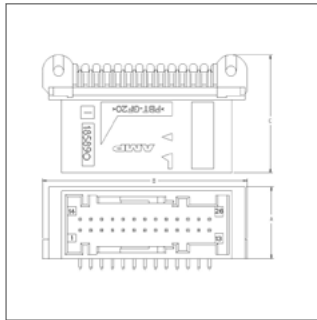
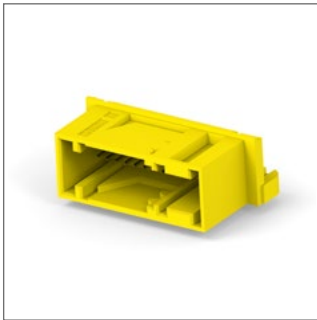


No. of Circuits	No. of Rows	Base-PN	PN	Keying	Color	Terminal	Mounting Orientation	Termination Method	Plating	Height (A) [mm]	Length (B) [mm]	Width (C) [mm]	Mating PN
26	2	953472	<a href="#">1-953472-1</a>	N/A	Yellow	MQS 0.63x0.63	180°	THR	Sn	21.2	51	16	
26	2	953472	<a href="#">1-953472-2</a>	N/A	Blue	MQS 0.63x0.63	180°	THR	Sn	21.2	51	16	185875, 185879
26	2	953472	<a href="#">953472-1</a>	N/A	Yellow	MQS 0.63x0.63	180°	THR	Sn	21.2	51	16	

## 26 Positions Header

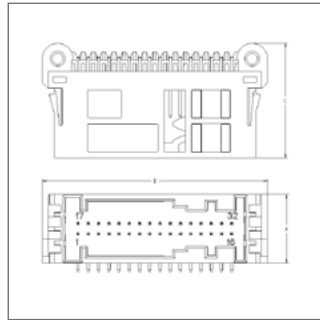
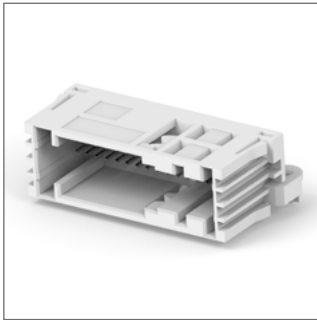


No. of Circuits	No. of Rows	Base-PN	PN	Keying	Color	Terminal	Mounting Orientation	Termination Method	Plating	Height (A) [mm]	Length (B) [mm]	Width (C) [mm]	Mating PN
26	2	953236	<a href="#">953236-1</a>	N/A	Yellow	MQS 0.63x0.63	180°	Solder - Through Hole	Sn	20.9	53.8	16	185875, 185879
26	2	953236	<a href="#">953236-2</a>	N/A	Blue	MQS 0.63x0.63	180°	Solder - Through Hole	Sn	20.9	53.8	16	

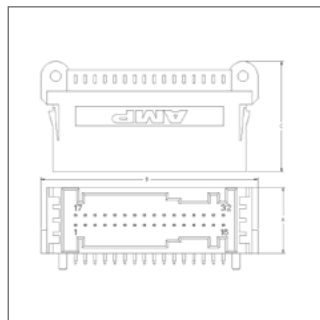


No. of Circuits	No. of Rows	Base-PN	PN	Keying	Color	Terminal	Mounting Orientation	Termination Method	Plating	Height (A) [mm]	Length (B) [mm]	Width (C) [mm]	Mating PN
26	2	185890	<a href="#">185890-1</a>	N/A	Yellow	MQS 0.63x0.63	90°	Solder - Through Hole	Sn	17	48.24	27.9	185875, 185879
26	2	185890	<a href="#">185890-2</a>	N/A	Blue	MQS 0.63x0.63	90°	Solder - Through Hole	Sn	17	48.24	27.9	

32 Positions Header

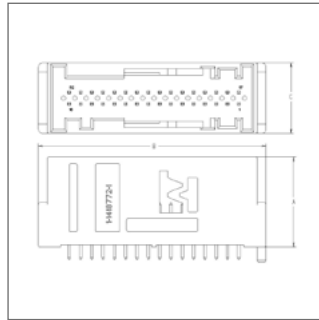
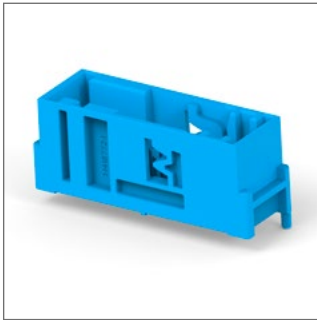


No. of Circuits	No. of Rows	Base-PN	PN	Keying	Color	Terminal	Mounting Orientation	Termination Method	Plating	Height (A) [mm]	Length (B) [mm]	Width (C) [mm]	Mating PN
32	2	2282279	<a href="#">1-2282279-2</a>	B	N/A	MQS 0.63x0.63	90°	THR	Sn	17	55.8	28.4	965612, 967348, 965343
32	2	2282279	<a href="#">2282279-2</a>	B	Natural	MQS 0.63x0.63	90°	THR	Sn	17	55.8	28.4	

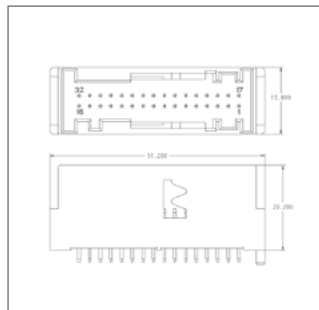
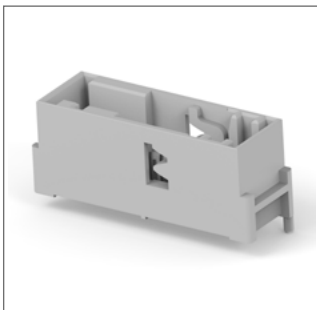


No. of Circuits	No. of Rows	Base-PN	PN	Keying	Color	Terminal	Mounting Orientation	Termination Method	Plating	Height (A) [mm]	Length (B) [mm]	Width (C) [mm]	Mating PN
32	2	968720	<a href="#">1-968720-1</a>	A	Black	MQS 0.63x0.63	90°	Solder - Through Hole	Au	17	55.8	28.4	965612, 967348, 965343
32	2	968720	<a href="#">1-968720-2</a>	A	Black	MQS 0.63x0.63	90°	THR	Sn	17	55.8	28.4	
32	2	968720	<a href="#">2-968720-2</a>	B	Natural	MQS 0.63x0.63	90°	THR	Sn	17	55.8	28.4	

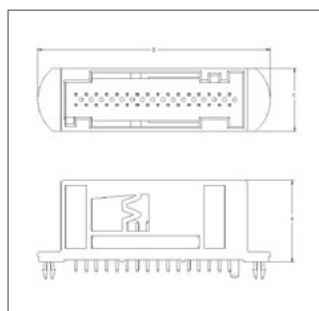
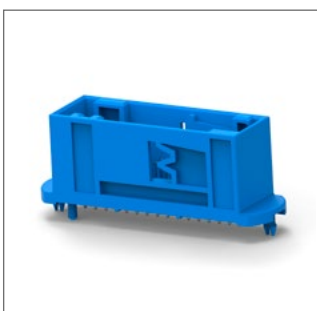
32 Positions Header



No. of Circuits	No. of Rows	Base-PN	PN	Keying	Color	Terminal	Mounting Orientation	Termination Method	Plating	Height (A) [mm]	Length (B) [mm]	Width (C) [mm]	Mating PN
32	2	1418773	<a href="#">1-1418773-1</a>	A	Blue	MQS 0.63x0.63	180°	THR	Sn	20.2	51.2	15.8	968265, 929053

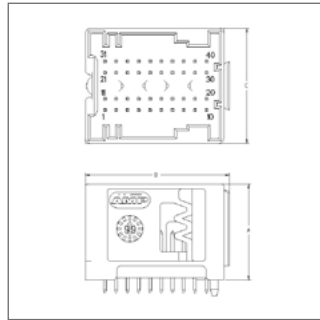


No. of Circuits	No. of Rows	Base-PN	PN	Keying	Color	Terminal	Mounting Orientation	Termination Method	Plating	Height (A) [mm]	Length (B) [mm]	Width (C) [mm]	Mating PN
32	2	967598	<a href="#">967598-1</a>	A	Gray	MQS 0.63x0.63	180°	Solder - Through Hole	Sn	20.2	51.2	15.8	968265, 929053
32	2	967598	<a href="#">967598-4</a>	B	Blue	MQS 0.63x0.63	180°	Solder - Through Hole	Sn	20.2	51.2	15.8	

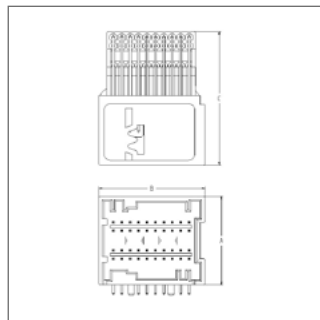
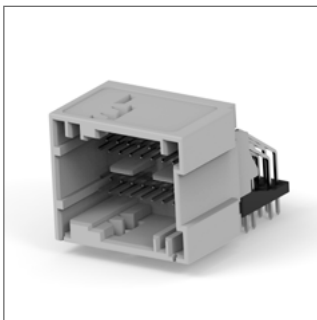


No. of Circuits	No. of Rows	Base-PN	PN	Keying	Color	Terminal	Mounting Orientation	Termination Method	Plating	Height (A) [mm]	Length (B) [mm]	Width (C) [mm]	Mating PN
32	2	966658	<a href="#">2-966658-2</a>	C	Blue	MQS 0.63x0.63	180°	Solder - Through Hole	Sn	20.2	57.6	15.6	1420000, 1420001, 1534222
32	2	966658	<a href="#">8-966658-3</a>	C	Blue	MQS 0.63x0.63	180°	Solder - Through Hole	Sn	20.2	57.6	15.6	1420000, 1420001, 1534222, 2177833, 2177836

40 Positions Header

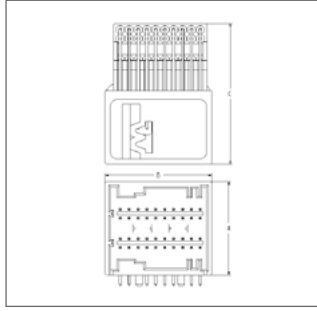


No. of Circuits	No. of Rows	Base-PN	PN	Keying	Color	Terminal	Mounting Orientation	Termination Method	Plating	Height (A) [mm]	Length (B) [mm]	Width (C) [mm]	Mating PN
40	4	953118	<a href="#">1-953118-4</a>	N/A	Blue	MQS 0.63x0.63	180°	Solder - Through Hole	Au / Sn	21.5	32.5	25.9	
40	4	953118	<a href="#">953118-1</a>	N/A	Black	MQS 0.63x0.63	180°	Solder - Through Hole	Sn	21.5	32.5	25.9	953122, 953119
40	4	953118	<a href="#">953118-3</a>	N/A	Black	MQS 0.63x0.63	180°	Solder - Through Hole	Sn	21.5	32.5	25.9	
40	4	953118	<a href="#">953118-4</a>	N/A	Blue	MQS 0.63x0.63	180°	Solder - Through Hole	Sn	21.5	32.5	25.9	



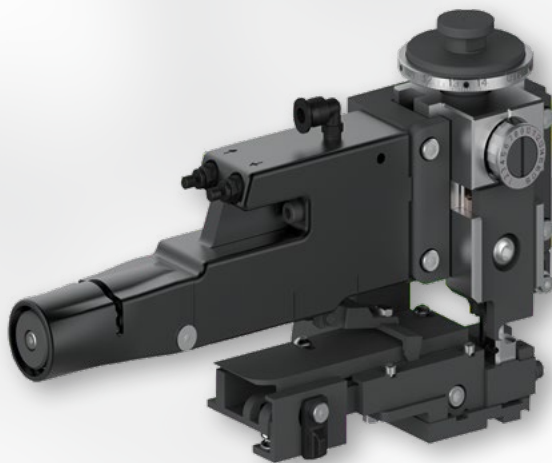
No. of Circuits	No. of Rows	Base-PN	PN	Keying	Color	Terminal	Mounting Orientation	Termination Method	Plating	Height (A) [mm]	Length (B) [mm]	Width (C) [mm]	Mating PN
40	4	1745060	<a href="#">1745060-1</a>	N/A	Gray	MQS 0.63x0.63	90°	Solder - Through Hole	Sn	26.7	32	40.3	953122, 953119

## 40 Positions Header



No. of Circuits	No. of Rows	Base-PN	PN	Keying	Color	Terminal	Mounting Orientation	Termination Method	Plating	Height (A) [mm]	Length (B) [mm]	Width (C) [mm]	Mating PN
40	4	1394155	<a href="#">1-1394155-2</a>	N/A	N/A	MQS 0.63x0.63	90°	Solder - Through Hole	Sn	26.7	30.5	40.3	953119, 953122
40	4	1394155	<a href="#">1-1394155-4</a>	A	Black	MQS 0.63x0.63	90°	Solder - Through Hole	Sn	26.7	30.5	40.3	





## Application Tooling

TE Application Tooling is dedicated to providing high quality equipment options to meet all levels of our connector products specifications. We are also able to provide a broad range of equipment for other manufacturer's products.

Our equipment range is vast and almost unmatched by others operating in the same industry segments, as is our global presence and support network in the form of field service engineers and product managers. We supply everything from simple hand tools to the most complex automated systems.

Equipment is segregated into two types and managed accordingly:

### Generic Equipment

Where we can supply you with sufficient information referenced by part number such that you can identify and order what you need yourself.

### Specialized Equipment

Where you will need help from our product managers to identify what's just right for your application.

### Finding Equipment Online [tooling.te.com](http://tooling.te.com)

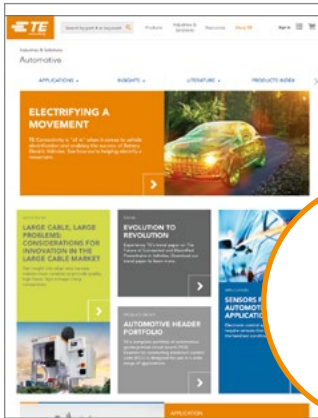
- Powerful searches to find generic equipment options (Hand Tools / Applicators).
- Brochures and more detailed flyers for the specialized equipment.
- It's quick, easy and more importantly the latest and most up to date information available online.

### Regional Assistance [www.te.com/support-center](http://www.te.com/support-center)

# www.TE.com

## TE CONNECTIVITY ONLINE

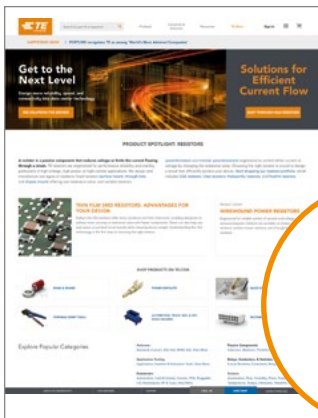
[TE.com](http://www.TE.com) offers an enhanced digital experience, with more than 250,000 parts profiled. The site has deep, rich product data and easier access to tools and services. Other offerings include improved search and navigation and knowledge and idea sharing.



### TE AUTOMOTIVE

We are one of the leading providers of advanced automobile connectivity solutions. The automotive industry uses our products in automotive technologies for body and chassis systems, convenience applications, driver information, infotainment solutions, miniaturization solutions, motor and powertrain applications, and safety and security systems. TE Connectivity is developing automotive solutions to help drive innovations for designs today and into tomorrow.

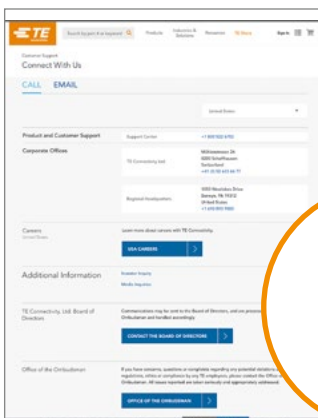
[www.TE.com/Automotive](http://www.TE.com/Automotive)



### PRODUCT INFORMATION

Search for a specific product by category, part number or document number.

[www.TE.com](http://www.TE.com)



### STAY CONNECTED

You can rely on TE's PIC Team to answer your general or technical questions. To contact a PIC representative, visit

[www.TE.com/support-center](http://www.TE.com/support-center)

**EUROPE**

Germany

Product Information Center:  
Phone: +800 0440-5100  
Fax: +49 6251-133-1988

**UNITED STATES**

United States - Harrisburg

Product Information Center:  
Phone: +1 800-522-6752  
Fax: +1 717-986-7575

**SOUTH AMERICA**

South America

Phone: +54 11-4733-2015  
Fax: +54 11-4733-2083

**AFRICA**

South Africa -  
Port Elizabeth

Phone: +27 41-503-4500  
Fax: +27 41-581-0440

**ASIA/PACIFIC**

Australia - Sydney

Product Information Center:  
Phone: +61 2-9840-8200  
Fax: +61 2-9634-6188

People's Republic of China

Hong Kong  
Phone: +852 2738-8731  
Fax: +852 2735-0243

People's Republic of China

Shanghai  
Phone: +86 21-3398-0000  
Fax: +86 21-3398-1999

Korea - Seoul

Phone: +82 2-3415-4500  
Fax: +82 2-3486-3810

**DISCLAIMER**

This document reflects the state-of-the-art result of the work of TE Connectivity (TE). While TE has made every reasonable effort to ensure the accuracy of the information in this document, TE does not guarantee that it is error-free, nor does TE make any other representation, warranty or guarantee that the information is accurate, correct, reliable or current. TE expressly disclaims all implied warranties regarding the information contained herein, including, but not limited to, any implied warranties of merchantability or fitness for a particular purpose. The document is subject to change without notice. Consult TE for the latest dimensions and design specifications.

**TRADEMARKS**

MQS, TE, TE Connectivity, TE connectivity (logo), and EVERY CONNECTION COUNTS are trademarks owned or licensed by the TE Connectivity Ltd. family of companies.

Other product names, logos, and company names mentioned herein may be trademarks of their respective owners.

**COPYRIGHT**

© 2021 TE Connectivity | All rights reserved.

1307999-3 | Revision 02-2021

**TE Connectivity Germany GmbH**

Ampèrestrasse 12-14  
64625 Bensheim  
Germany

